

Distributed by:

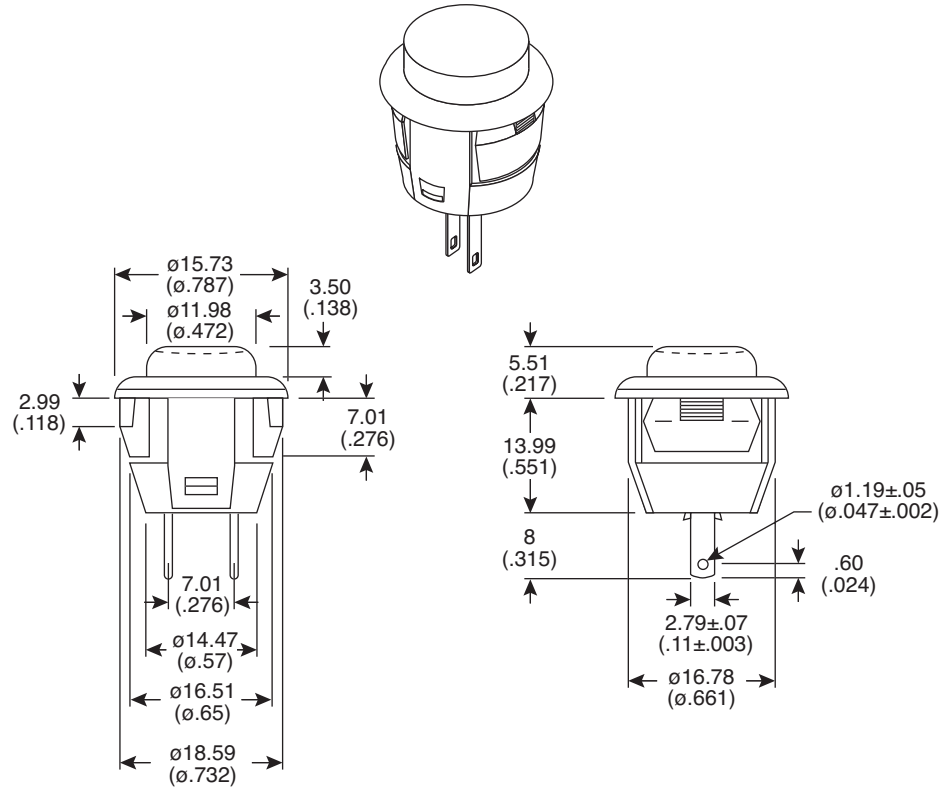
**JAMECO**<sup>®</sup>  
ELECTRONICS

**www.Jameco.com ♦ 1-800-831-4242**

The content and copyrights of the attached  
material are the property of its owner.

Jameco Part Number 106112

Dimensions: mm (in.)



**Electrical Specifications:**

- Rating: 3A/125VAC
- Contact resistance: 1A/2.5VDC 20mΩ or less
- Insulation resistance: 500VDC 100MΩ or more
- Dielectric Strength: 1000VAC 1 min.
- Electrical life: 10,000 cycles

**Mechanical Specifications:**

- Circuit: 2P (SPST)
- Mounting hole:  $\phi .701 \pm .003$ "
- Acceptable panel thickness: .028~.100"
- Mechanical life: 30,000 cycles

**Materials:**

- Color: 10PA005 - red, 107-DS412W - white
- Net weight: gram/piece: 4.2g
- Contact: Copper
- Contact plate: Silver

Pushbutton Switches  
10PA005; 107-DS412W

