

Distributed by:

**JAMECO**<sup>®</sup>  
ELECTRONICS

**www.Jameco.com ♦ 1-800-831-4242**

The content and copyrights of the attached  
material are the property of its owner.



# LT2K33-UR-P8

# 5.0MM SUPERBRIGHT ROUND LAMP

## Features

- InGaN ON Sapphire TECHNOLOGY
- HIGH POWER OUTPUT
- NARROW VIEW ANGLE FOR
- MAXIMUM LIGHT OUTPUT

## Absolute Maximum Ratings at $T_A=25^\circ\text{C}$

REVERSE VOLTAGE .....	5.0V
D.C. FORWARD CURRENT.....	40mA
PEAK FORWARD CURRENT (1/10 DUTY CYCLE @1kHz): .....	200 mA
OPERATING TEMPERATURE RANGE.....	-40° TO + 100°C
STORAGE TEMPERATURE RANGE.....	-45° TO +100°C
DERATING LINEAR FORM 25oc .....	0.4 mA/°C

## Electrical/Optical Characteristics at $T_A=25^\circ\text{C}$

PART NUMBER	LED CHIP		LENS COLOR	WAVELENGTH TYP.	FORWARD VOLTAGE @20mA(V)		LUMINOUS INTENSITY @20mA(mcd)		VIEW ANGLE $2\theta_{1/2}$ (deg)
	MATERIAL	EMITTING COLOR		$I_F$ @20mA (nm)	TYP.	MAX.	MIN.	TYP.	
				$\lambda_d$					
LT2K33-UR-P8	AlGaInP	Yellow	W.C.	592	2.0	2.4	4300	8500	8

(1) LENS COLOR:

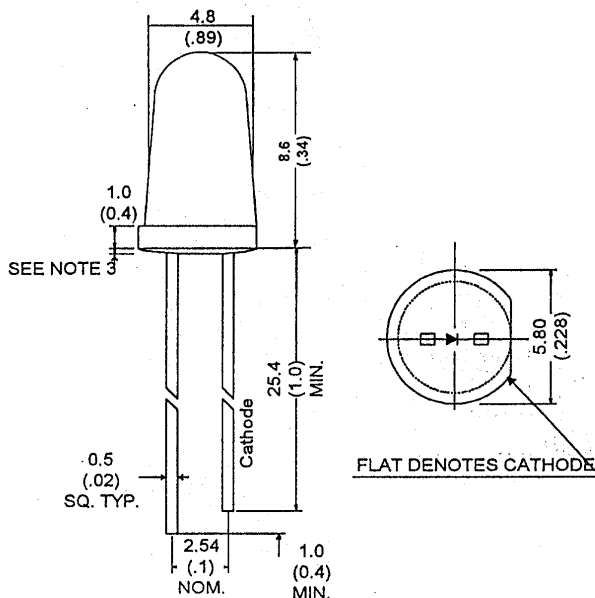
W.C.....WATER CLEAR

(2) SPECIFICATIONS ARE SUBJECT TO CHANGE WITHOUT NOTICE.

(3) ALL ABOVE COMPONENTS ARE CONSIDERED. DEVIATIONS FROM STATED SPECIFICATIONS WILL REQUIRE A NEW PART NUMBER BE ASSIGNED.

### PACKAGE DIMENSIONS

Jameco Part Number 153146



- Notes:
1. All dimensions are in millimeters (inches).
  2. Tolerance is +/- 0.25mm (0.10") unless otherwise specified.
  3. Protruded resin under flange is 1.5mm (0.059") max.
  4. Lead spacing is measure where the leads emerge from the package.