

Distributed by:

**JAMECO**<sup>®</sup>  
ELECTRONICS

**www.Jameco.com ♦ 1-800-831-4242**

The content and copyrights of the attached  
material are the property of its owner.

Jameco Part Number 177949

# DO-41 Glass 1 Amp

**1N5817  
thru  
1N5819**

# Schottky Rectifier

## Use Advantages

Low forward voltage drop.

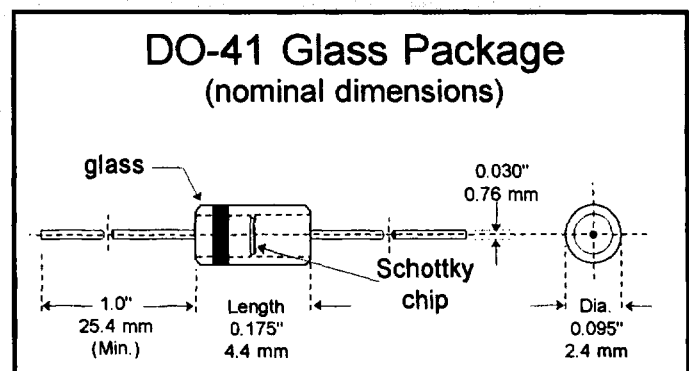
Fast switching due to majority carrier conduction which results in high operating efficiencies because of low power loss.

Used in low voltage power supplies, high frequency inverters and converters, surge protection and steering diode applications

*BKC can produce a 1N5819 generic equivalent to JAN / TX / TXV levels per MIL-S-19500 / 586 with internal source control drawings. The MIL limits differ from the commercial type, consult factory for data sheet.*

## Features

- Humidity proof glass
- Thermally matched system
- High surge capability
- No applications restrictions
- Sigma Bond™ plated contacts
- 100% guaranteed solderability
- Six Sigma quality
- Available in LL-41 MELF (DO-213AB) SMD package



Absolute Maximum Ratings	Symbol	Value	Unit
Average Rectified Current at $T_L = 90^\circ\text{C}$ , $L = 3/8"$ from body	$I_{AV}$	1.0	Amps
Forward Surge Current, one 1/2 cycle @ 60 HRz & $T_L = 70^\circ\text{C}$	$I_{FSM}$	25	Amps
Junction Temperature	$T_J$	-65 to +125	$^\circ\text{C}$
Storage Temperature Range	$T_S$	-65 to +150	$^\circ\text{C}$
Thermal Resistance from Junction to Ambient	$R_{\theta JA}$	80	$^\circ\text{C/W}$

### Electrical Characteristics @ 25°C

Type	Peak Inverse Voltage (MIN.) (PIV) Volts	Maximum Average Rectified Current ( $I_O$ ) Amp	Maximum Forward Voltage Drop			Maximum Reverse Leakage Current @ PIV	
			( $V_F$ ) @ 100mA	( $V_F$ ) @ 1.0A	( $V_F$ ) @ 3.0A	( $I_R$ ) @ 25°C	( $I_R$ ) @ 100°C
			Volts	Volts	Volts	mA	mA
1N5817	20	1.0	0.32	0.45	0.750	1.0	10
1N5818	30	1.0	0.33	0.55	0.875	1.0	10
1N5819	40	1.0	0.34	0.60	0.900	1.0	10

For MELF LL-41 (DO-213AB) surface mount package, replace "1N" prefix with "LL"



6 Lake Street  
Lawrence, MA  
USA 01841

Telephone (508) 681-0392 • FAX (508) 681-9135