

Distributed by:

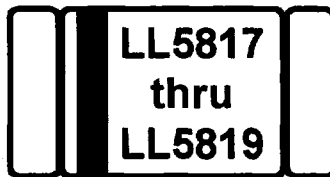
JAMECO[®]
ELECTRONICS

www.Jameco.com ♦ 1-800-831-4242

The content and copyrights of the attached
material are the property of its owner.

Jameco Part Number 177949

LL-41 MELF SMD



1 Amp Schottky Rectifier

Use Advantages

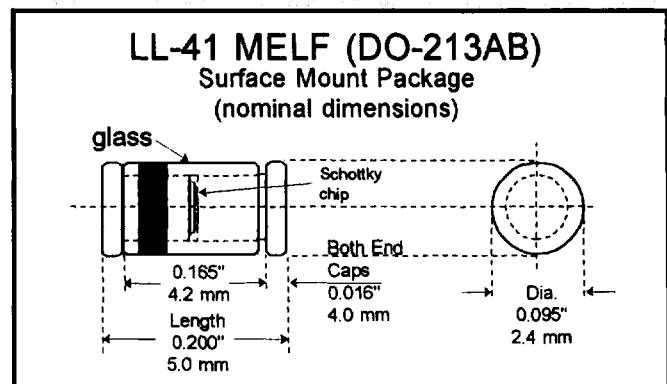
Low forward voltage drop. Low cost replacement for SMB (same footprint). Fast switching due to majority carrier conduction which results in high operating efficiencies because of low power loss.

Used in low voltage power supplies, high frequency inverters and converters, surge protection and steering diode applications

BKC can produce a 1N5819UR generic equivalent to JAN / TX / TXV levels per MIL-S-19500 / 586 with internal source control drawings. The MIL limits differ from the commercial type, consult factory for data sheet.

Features

- Humidity proof glass
- Thermally matched system
- High surge capability
- No applications restrictions
- Sigma Bond™ plated contacts
- 100% guaranteed solderability
- Six Sigma quality
- DO-41 leaded glass package available



Absolute Maximum Ratings	Symbol	Value	Unit
Average Rectified Current at $T_{End\ Cap} = 90\text{ }^{\circ}\text{C}$	I_{AV}	1.0	Amps
Forward Surge Current, one 1/2 cycle @ 60 HRz & $T = 70\text{ }^{\circ}\text{C}$	I_{FSM}	25	Amps
Junction Temperature	T_J	-65 to +125	$^{\circ}\text{C}$
Storage Temperature Range	T_S	-65 to +150	$^{\circ}\text{C}$
Thermal Resistance from Junction to Ambient	$R_{\theta JA}$	80	$^{\circ}\text{C/W}$

Electrical Characteristics @ 25 °C

Type	Peak Inverse Voltage (MIN.) (PIV) Volts	Maximum Average Rectified Current (I_O) Amp	Maximum Forward Voltage Drop			Maximum Reverse Leakage Current @ PIV	
			(V_F) @ 100mA Volts	(V_F) @ 1.0A Volts	(V_F) @ 3.0A Volts	(I_R) @ 25°C mA	(I_R) @ 100°C mA
LL5817	20	1.0	0.32	0.45	0.750	1.0	10
LL5818	30	1.0	0.33	0.55	0.875	1.0	10
LL5819	40	1.0	0.34	0.60	0.900	1.0	10

For DO-41 leaded glass package, replace "LL" prefix with "1N"



6 Lake Street
Lawrence, MA
USA 01841

Telephone (508) 681-0392 • FAX (508) 681-9135

BKCSS076