

Distributed by:

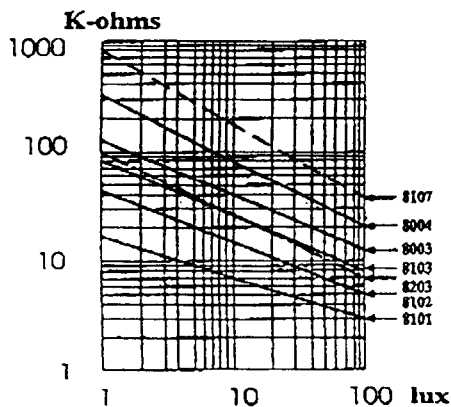


www.Jameco.com ♦ 1-800-831-4242

The content and copyrights of the attached material are the property of its owner.

Type No.	Out-line	Maximum Ratings			Characteristics E (at 25°C)					
		Applied Voltage at 25°C (Vdc)	Allowable Power Dissipation at 25°C (mW)	Ambient Temperature Ta (°C)	Cell Resistance A			C 100 ~ 10 lx Typ.	Response Time at 10 lx D	
					10 lx (at 2856K)		0 lx B		Rise Time Type (ms)	Decay Time Typ. (ms)
					Min. (KΩ)	Max. (KΩ)	Min. (MΩ)			
8001		150	100	-30~+75	3	11	0.2	0.6	50	20
8002		150	100	-30~+75	8	24	0.5	0.65	50	20
8003-1		150	100	-30~+75	20	30	0.5	0.7	55	20
8004		150	100	-30~+75	20	60	0.5	0.75	55	20
8005		150	100	-30~+75	40	120	1	0.8	60	25
8006		150	100	-30~+75	80	240	5	0.85	60	25
8101		150	100	-30~+75	4	11	0.15	0.65	55	20
8102		150	100	-30~+75	9	20	0.3	0.7	60	25
8103		150	100	-30~+75	16	33	0.5	0.75	60	25
8104		150	100	-30~+75	27	60	2	0.8	60	25
8105		150	90	-30~+75	50	94	2.5	0.85	60	25
8106		150	90	-30~+75	50	140	20	0.9	60	25
8107		150	90	-30~+75	80	240	20	0.9	60	25
8203		150	90	-30~+75	12	36	20	0.9	70	15

Cell resistance vs. illuminance



A. Measured with the light source of a tungsten lamp operated at a color temperature of 2856K.

B. Measured 10 seconds after removal of incident illuminance of 10 lux.

C. Gamma characteristic between 10 lux and 100 lux and given by

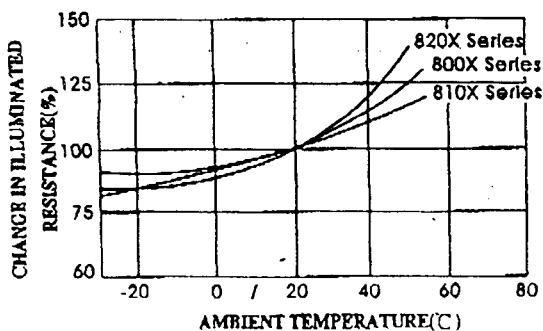
$$= \frac{\log(R_{100}) - \log(R_{10})}{\log(E_{100}) - \log(E_{10})}$$

Where R₁₀₀, R₁₀: cell resistances at 100 lux and 10 lux respectively
E₁₀₀, E₁₀: illuminances of 100 lux and 10 lux respectively

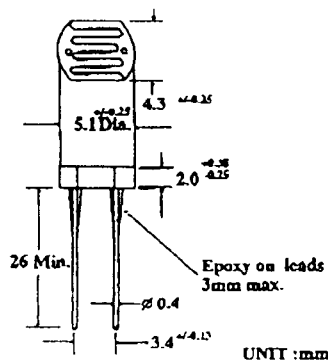
D. The rise time is the time required for the cell conductance to rise to 63% of the saturated level. The decay time is the time required for the cell conductance to decay from the saturated level to 37%.

E. All characteristics are measured with the light history conditions: the CdS cell is exposed to light (100 to 500 lux) for one to two hours.

Cell resistance vs. temperature



Out-line Dimension.



UNIT : mm