

Distributed by:

JAMECO[®]
ELECTRONICS

www.Jameco.com ♦ 1-800-831-4242

The content and copyrights of the attached
material are the property of its owner.

Jameco Part Number 252824

SPECIFICATION FOR APPROVAL

樣品承認書

CUSTOMER: JAMES
客戶名稱: _____
PART NO: 252824
客戶品名: _____
EVER GLOW MODEL: S15AC12010001
聯輝品名: _____
DESIGNED NO: L5230 (RoHS/CEC)
設計編號: _____
REVISION: 1-0
版本號碼: _____
CATEGORY: SWITCHING ADAPTOR
產品類別: _____
DATE SUBMITTED: 2007.12.18
送樣日期: _____

SAMPLE/SPECIFICATION SUBMITTED 送審樣品/資料	CONCLUSION	APPROVED 承認
	判定結果	REJECTED 退回
		CONDITON APP'D 有條件承認
SAMPLE 樣品 _____ 0 PCS SPECIFICATION 規格書 _____ 1 份 OTHERS 其他 _____ PCS _____ _____ _____ _____ _____	CUSTOMER'S SIGNATURE: 客戶簽章: DATE 日期: _____	



聯輝電機股份有限公司

EVER-GLOW ELECTRONIC CO., LTD.

臺灣: 高雄縣鳳山市輜汽路2號

TAIWAN:NO.2, TZU CHIH ROAD, FENG SHAN KAOHSIUNG

HSIEN 830, TAIWAN, R.O.C.

TEL:886-7-7711136(REPRESENTATIVE) FAX:886-7-7711145

東聯興科技(深圳)有限公司

DONG LIAN XING TECHNOLOGY (SHEN ZHEN)CO.,LTD.

大陸: 廣東省深圳市松崗鎮紅星村大田洋工業區9號

CHINA:DA TIAN YANG INDUSTRY DISTRICT NO.9 HONG XING VILLAGE

SONG GANG TOWN, SHEN ZHEN CITY GUANG DONG PROVINCE

TEL:86-755-29626655~7 FAX:86-755-29626658

SPECIFICATION

CUSTOMER: JAMES

DATE: '07.12.18

MODEL NO: S15AC12010001

DESIGNED NO: L5230

1. INPUT CHARACTERISTIC

- 1.1 INPUT VOLTAGE: 100 VAC TO 240 VAC FULL RANGE.
- 1.2 INPUT FREQUENCY: 47 Hz TO 63 Hz.
- 1.3 INPUT CURRENT: 400 mA MAX. FOR 100 VAC & FULL LOAD.
- 1.4 NO LOAD LOSS: 0.5 W MAX. AT INPUT 115/230 VAC 60/50 Hz.
- 1.5 INRUSH CURRENT: 60 A MAX. FOR 100/240 VAC. COLD START AT 25°C.
- 1.6 EFFICIENCY: 72.4 % MIN. AT INPUT: 115/230 VAC 60/50Hz.
- 1.7 HOLD UP TIME: 5ms MIN. AT 100/240 VAC AND FULL LOAD CONDITION.

2. OUTPUT CHARACTERISTIC.

2.1 OUTPUT RANGE

OUTPUT		LOAD CURRENT			RIPPLE % NOIS MAX.
VOLTAGE	TOLERANCE	MIN.	NORMAL	MAX.	
12VDC	±5%	0A	1000mA	1000mA	120mVp-p

NOTE: MEASURING IS DONE BY 20 MHz BANDWIDTH LIMITED OSCILLOSCOPE AND TERMINATED EACH OUTPUT WITH 0.1uF AND 10uF CAPACITORS.

- 2.2 OUTPUT WATTS: 12 W MAX.

3. PROTECTION REQUIREMENTS.

- 3.1 INTERNAL OVER THERMAL SHUTDOWN PROTECTION.
- 3.2 SHORT CIRCUIT PROTECTION: THE ADAPTOR SHOULD BE AUTO-RECOVER IN CASE ANY SHORT-CIRCUIT OCCUR AT AND OUTPUT.
- 3.3 OVER VOLTAGE PROTECTION.
- 3.4 INPUT OVER CURRENT PROTECTION: THE INPUT POWER LINE WILL BE FUSED WITH A FUSE 1A 250VAC.

4. ENVIRONMENTAL REQUIREMENTS.

- 4.1 OPERATING TEMPERATURE: 0 °C TO +40 °C
- 4.2 STORAGE TEMPERATURE: -10 °C TO +70 °C
- 4.3 OPERATING AND STORAGE HUMIDITY: 20%-80% RH.

5. WITHSTAND VOLTAGE & INSULATION TEST

- 5.1 HI-POT TEST: INPUT TO OUTPUT 4240 VDC 3 SECS. (LEAKAGE CURRENT 10mA).
- 5.2 INSULATION TEST: INPUT TO OUTPUT 500 VDC, 100MΩ MIN.

6. MECHANICAL CHARACTERISTIC.

- 6.1 CORD STRAIN RELIEF TEST: THERE SHALL BE NO SIGN OF DAMAGE. AFTER THE STATIC STRENGTH 5 KG 1 MINUTE IS AXIAL DIRECTION WITH FIXING THE UNIT.
- 6.2 CORD BENDING TEST: THE CORD SHALL WITHSTAND WEIGHT 500 g FROM LEFT TO RIGHT AT AN ANGLE 120 DEG. 300 CYCLE TIMES MIN.
- 6.3 VIBRATION TEST: POWER OFF, FREQUENCY RANGE 10-50Hz DURATION TIME 30 MINUET, DIRECTION X Y AND Z AXIS.
- 6.4 DROP TEST: THE ADAPTOR SHALL EXHIBIT NO ABNORMALITY IN MECHANICAL OR ELECTRICAL PERFORMANCE WHEN IT IS DROPPED TO 3CM HARDWOOD, FROM A HEIGHT OF 3 FEET TESTED ONE TIME AND TEST ITEM 5.1 AND 5.2.

7. RELIABILITY/QUALITY:

- 7.1 MTBF: 30,000 HOURS MIN.
- 7.2 BURN-IN TEST: THE ADAPTOR SHALL UNDERGO A MINIMU 2 HOURS BURN IN TEST AT 40°C AMBIENT TEMPERATURE UNDER 80% FULL LOAD CONDITION.

8. SAFETY REQUIREMENT

- 8.1 THE ADAPTOR DESIGNED TO MEET BELOW STANDARDS UL, CUL, GS, CE, CEC MARK.

9. WEIGHT: 105.1 g

10. DIMENSIONS: SEE ASSEMBLY DRAWING.

APPROVED BY _____ CHECKED BY _____ TESTED BY 李淑華

ELECTRICAL DATA

CUSTOMER: JAMES

DATE: '07.12.18

MODEL NO: S15AC12010001

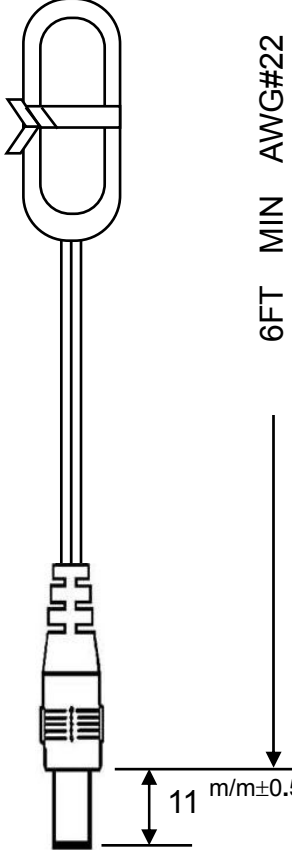
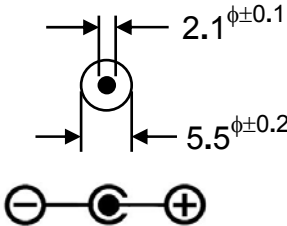
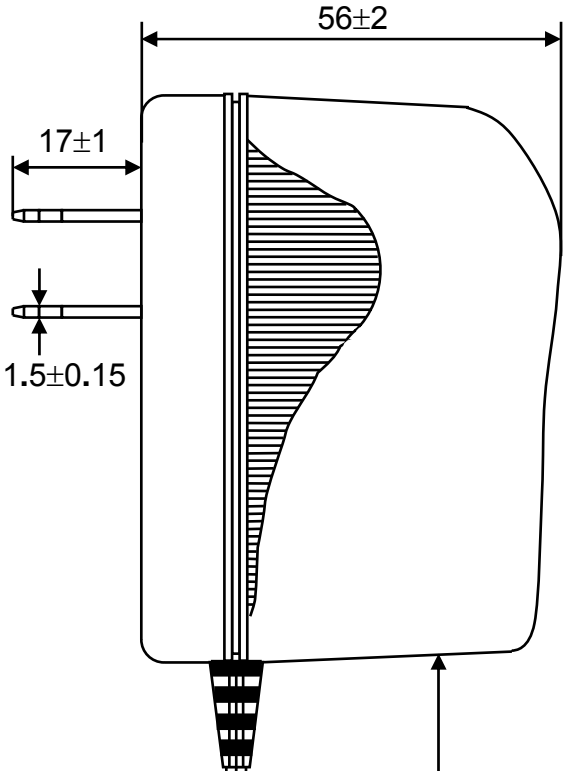
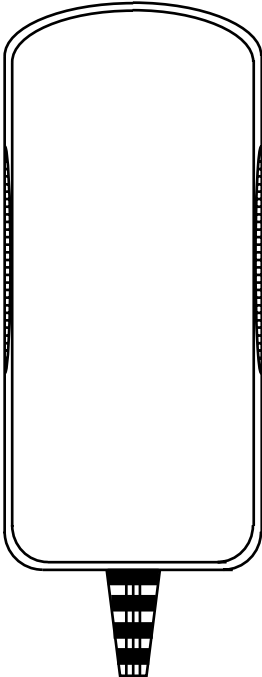
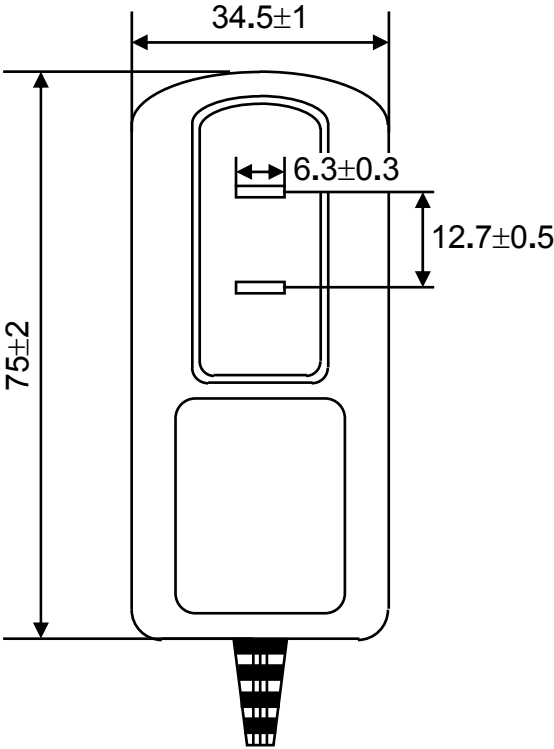
DESIGNED NO: L5230

ITEM	SPEC.	SAMPLE									
		1	2	3	4	5	6	7	8	9	10
PRIMARY EXCITING CURRENT INPUT 115 V-AC 60 Hz	30 mA MAX.	11									
PRIMARY LOAD CURRENT INPUT 115 V-AC 60 Hz	400 mA MAX.	256									
SECONDARY #1 NO LOAD OUTPUT VOLTAGE	12V±5%	12.33									
SECONDARY #1 DC VOLTAGE LOAD 1000mA-DC CURRENT	12V±5%	12.06									
INPUT 115VAC 60Hz LOAD 1000mA RIPPLE VOLTAGE (Vp-p)	120 mV MAX.	108									
EFFICIENCY LOAD 1000mA-DC INPUT 115 V-AC 60Hz	72.4% MIN.	77.7									
NO LOAD LOSS INPUT 115 V-AC 60Hz	0.5W MAX.	0.18									
PRIMARY EXCITING CURRENT INPUT 230 V-AC 50 Hz	30 mA MAX.	10									
PRIMARY LOAD CURRENT INPUT 230 V-AC 50 Hz	400 mA MAX.	143									
SECONDARY #1 NO LOAD OUTPUT VOLTAGE	12V±5%	12.33									
SECONDARY #1 DC VOLTAGE LOAD 1000mA-DC CURRENT	12V±5%	12.06									
INPUT 230VAC 50Hz LOAD 1000mA RIPPLE VOLTAGE (Vp-p)	120 mV MAX.	106									
EFFICIENCY LOAD 1000mA-DC INPUT 230 V-AC 50Hz	72.4% MIN.	78.8									
NO LOAD LOSS INPUT 230 V-AC 50Hz	0.5W MAX.	0.15									
HI-POT TEST	PRI. TO SEC.	DC 4240 V	OK								

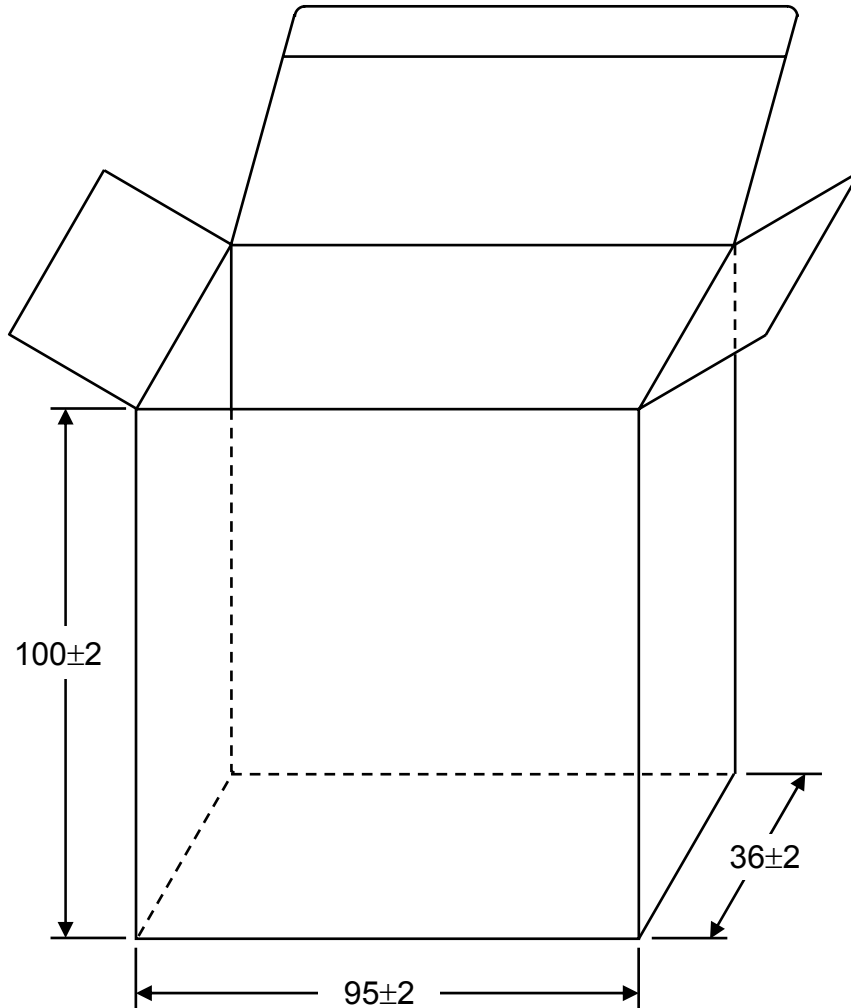
OUTPUT RIPPLE COMMENT: THE MEASURING IS DONE BY 20 MHz BAND WIDTH LIMITED OSCILLOSCOPE AND TERMINATED EACH OUTPUT WITH THE A E/C 10uf AND C/C 0.1uf CAPACITOR

APPROVED BY _____ CHECKED BY _____ TESTED BY 李淑華

聯輝電機股份有限公司



聯輝電機股份有限公司



1. 材質磅數: 400 磅 單面白板紙
2. 尺寸: 95x36x100m/m 15W

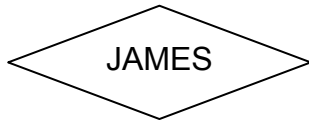
出圖章	名稱	小紙盒	5					
	料號		4					
	發行日		3					
	核准	品保審核	製圖	2				
			李淑華	1				
			符號	日期	變更事項		修訂者	審核者
			單位:m/m		版次	圖號	CN-572	

聯輝電機股份有限公司

區分	外徑規格	紙質		每單元 數量	備註
		層紙數	承受KG數		
紙箱	495x380x225	5	14	1只	每層裝 50PCS,共裝 2層
中箱				只	CN-572
井隔				只	
隔板	475x360x3	3		2只	

印刷格式:(兩面印刷)

正 面



Oakland, U.S.A.

C/NO.

Made in Taiwan

RoHS

側 面

PO# P/N# 252824

Q'TY: 100 PCS

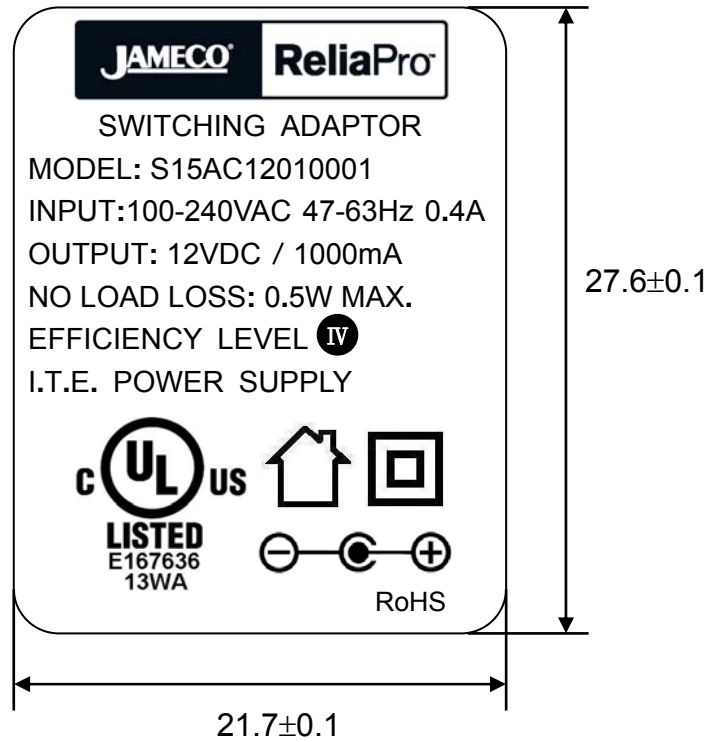
Ship Date: Month/Day/Year



UP

出圖章	名稱	紙箱	5				
	料號		4				
	發行日		3				
	核准	品保審核	製圖	2			
			李淑華	1			
			符號	日期	變更事項		修訂者 審核者
			單位:m/m	版次	1-0	圖號	

聯輝電機股份有限公司



黑底銀字



- 1.材質:PVC
- 2.厚度:0.35+0.2/-0.1
- 3.印刷:銀底黑字

出圖章	名稱	銘牌	5					
	料號		4					
	發行日	07.12.18	3					
	核准	品保審核	製圖	2				
			李淑華	1				
			符號	日期	變更事項		修訂者	審核
			單位:m/m	版次	1-0	圖號		