

Distributed by:

JAMECO[®]
ELECTRONICS

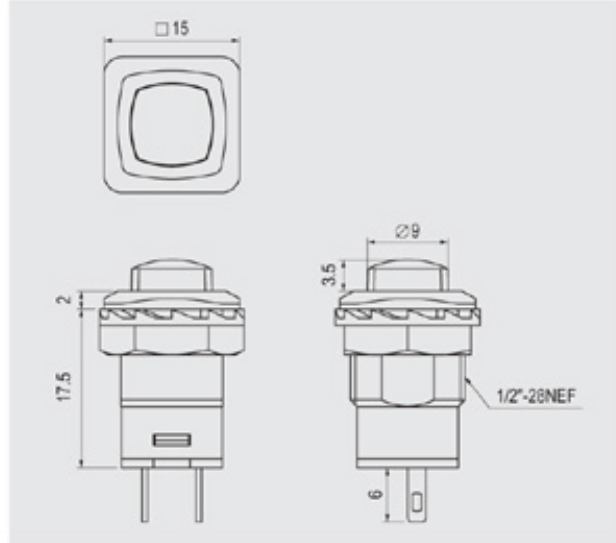
www.Jameco.com ♦ 1-800-831-4242

The content and copyrights of the attached
material are the property of its owner.

Jameco Part Number 315900

* The specification subject to change without notice. "The drawing is for reference only.

R13-511



Rating

3A 125V AC
1.5A 250V AC

Contact resistance

50mΩ Max

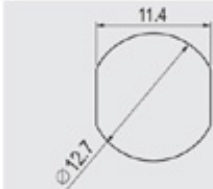
Insulation resistance

DC 500V 100MΩ Min

Dielectric strength

AC 1500V 1 minute

Cut-out



±0.15 5 mm max

FEATURES

* MATERIAL: Frames are nylon with glass fiber (UL flame: 94V-2). Terminals are silver plated brass.

R13-511

