

Distributed by:

**JAMECO**<sup>®</sup>  
ELECTRONICS

[www.Jameco.com](http://www.Jameco.com) ♦ 1-800-831-4242

The content and copyrights of the attached material are the property of its owner.



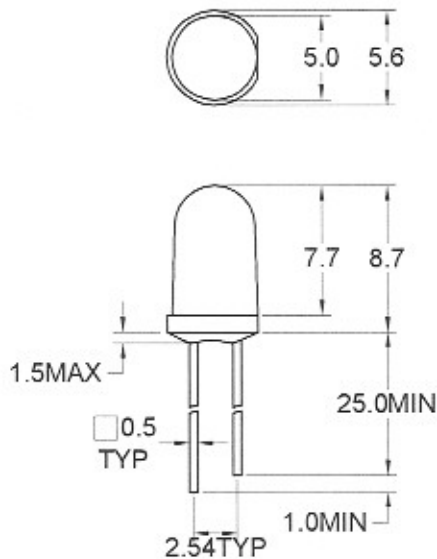
LIGITEK

SUPER BRIGHT ROUND TYPE LED LAMPS

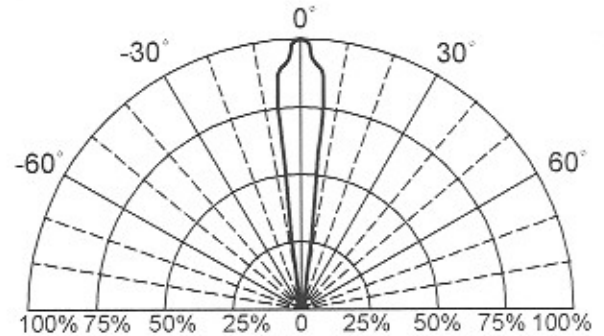
LVX3833

SERIES

Package Dimension



Directivity Radiation



Note: 1. All dimension are in millimeter tolerance is  $\pm 0.25\text{mm}$  unless otherwise noted  
2. Specifications are subject to change without notice

• Part Selection And Application Information (Ratings At 25°C Ambient)

PART NO	MATERIAL	COLOR		Peak wave length $\lambda_{Pnm}$	Spectral halfwidth $\Delta \lambda \text{ nm}$	Forward voltage @20mA(v)		Luminous intensity @20mA(mcd)		Viewing angle $2\theta \ 1/2$ (deg)
		Emitted	Lens			Min.	Max.	Min.	Typ.	
LSR3833	GaAlAs	Red	Water Clear	660	20	1.5	2.4	450	700	12
LHR3833	GaAlAs	Red	Water Clear	660	20	1.5	2.4	900	1500	12
LUR3833	GaAlAs	Red	Water Clear	660	20	1.5	2.4	1500	2700	12
LVG3833	GaP	Green	Water Clear	565	30	1.7	2.6	300	550	12

• Absolute Maximun Rating (Ta=25°C)

PARAMETER	RED			GREEN		YELLOW		ORANGE		UNIT	REMARK
	SR	HR	UR		VG						
Forward Current	30	30	40		30					mA	
Peak Forward Current Duty 1/10@10KHz	100	100	120		120					mA	
Power Dissipation	100		120	100						mW	
Reverse Current @5v	10			10						$\mu A$	
Operating Temperature	-40°C TO +85°C										
Storage Temperature	-40°C TO +100°C										

Lead Soldering Temperature 260°C For 5 Seconds(2.0mm From Body)