

# SPECIFICATION FOR APPROVAL

CUSTOMER: JAMES

PART NO: 100095

MODEL NO: DBU120020

DESIGNED NO: B1850 (RoHS)

REVISION: 1-2

CATEGORY: AC ADAPTOR

DATE SUBMITTED: 2013.04.03

SAMPLE/SPECIFICATION SUBMITTED	CONCLUSION	APPROVED
		REJECTED
		CONDITON APP'D
SAMPLE 0		
SPECIFICATION 1		

CUSTOMER'S SIGNATURE:



聯輝電機股份有限公司

EVER-GLOW ELECTRONIC CO., LTD.

臺灣: 高雄縣鳳山市輜汽路2號

TAIWAN:NO.2, TZU CHIH ROAD, FENG SHAN KAOHSIUNG

HSIEN 830, TAIWAN, R.O.C.

TEL:886-7-7711136(REPRESENTATIVE) FAX:886-7-7711145

東聯興科技(深圳)有限公司

DONG LIAN XING TECHNOLOGY (SHEN ZHEN)CO.,LTD.

大陸: 廣東省深圳市松崗鎮紅星村大田洋工業區9號

CHINA:DA TIAN YANG INDUSTRY DISTRICT NO.9 HONG XING VILLAGE

SONG GANG TOWN, SHEN ZHEN CITY GUANG DONG PROVINCE

TEL:86-755-29626655~7 FAX:86-755-29626658

MODEL NO : DBU120020  
 CUSTOMER P/N : 100095  
 DESCRIPTION : AC ADAPTOR  
 ISSUED DATE : 2013.04.03  
 REVISION : 1-2

### TABLE OF CONTENTS

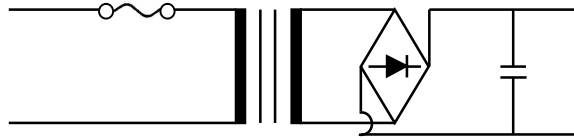
- 1.0 ELECTRICAL CHARACTERISTIC
- 2.0 MECHANICAL PERFORMANCE
- 3.0 SAFETY STANDARD
- 4.0 APPEARANCE REQUIREMENTS
- 5.0 ENVIRONMENTAL CONDITION
- 6.0 INSPECTION ON LINE
- 7.0 NET WEIGHT
- 8.0 APPEARANCE DIMENSION
- 9.0 MATERIAL LIST
- 10.0 SAMPLE TEST DATA
- 11.0 NAMEPLATE DRAWING
- 12.0 BOX DIMENSION
- 13.0 PACKING LIST

REV	DESCRIPTION	DATE
1-0	Initial released	
1-2	RoHS	2013/04/03

APP.BY \_\_\_\_\_ CHK.BY \_\_\_\_\_ PRE.BY \_\_\_\_\_

1.0 ELECTRICAL CHARACTERISTIC :

- 1.1 Input rated voltage and line frequency : 120 VAC 60 Hz.
- 1.2 Input exciting current (I<sub>o</sub>) : 60 mA rms max. at input 120 VAC 60 Hz.
- 1.3 Input load current (I<sub>p</sub>) : 90 mA rms max. Input 120 VAC 60 Hz output full load.
- 1.4 Empty loss : X W max, at input X VAC X Hz.
- 1.5 Electrical circuit :



- 1.6 Output rated voltage and current :

Test point	Full load rated voltage	Rated current	Ripple voltage vp-p	No load voltage
	12VDC ±5%	200mA	mV MAX.	17VDC±5%

- 1.7 D.C.resistance : Primary X Ω±15%, measured at 25°C ambient temperature.
- 1.8 Hi-pot test : 1240 VAC 50/60Hz for 60 seconds between input to output plug and case normal performance. (leakage current 1mA)
- 1.9 Insulation resistance test : 500 VDC supplied, 100 MΩ min,between input to output plug and case.
- 1.10 Temperature rise test : input 120 VAC 60 Hz, output load 0.2 A for input coil 75 °C max (by use resistance method) on case surface X °C max (by use thermometer method) at 25°C ambient temperature.
- 1.11 Humidity test : In an ambient temperature 40±2 °C and 90-95 % R.H for 4 hours , after 10 minutes out of the oven ,the unit should meet item 1.8 requirements, and insulation resistance shall be 10M ohms min .

2.0 MECHANICAL PERFORMANCE :

- 2.1 Strain relief test : at normal position, 20 lbs to output cord for 60 seconds each,there shall be no breakage displacement .
- 2.2 Drop test : dropped freely from 3 feet height onto a concrete floor covered with 1/8 inch Vinyl tile 3 times from 3 different surface the unit should meet the item 1.8 、 1.9.

APP.BY \_\_\_\_\_ CHK.BY \_\_\_\_\_ PRE.BY \_\_\_\_\_

2.3 Bending test : the plug and S/R should withstand weight of 200 gram, it swinging from left to right at an angle of 120 degree for 300 cycles, and 15-20 cycles per minute, the cord shall be conductible .

3.0 SAFETY STANDARD :

UL/CUL      GS      CE      PSE      BSMI

4.0 APPEARANCE REQUIREMENTS :

4.1 Appearance : Damage and rusting are not permitted.

5.0 ENVIRONMENTAL CONDITION :

5.1 Operating temperature range : -10°C ----- +40°C

5.2 Storage temperature range : -20°C ----- +55°C

5.3 Operating humidity range : 30-85% R.H.

6.0 INSPECTION ON LINE :

6.1 The test items for each produce.

- ◆ Primary exciting current
- ◆ Core loss
- ◆ Output voltage
- ◆ Input current and power at rated load
- ◆ Foreign mass by shock
- ◆ Polarity of output plug
- ◆ Hi-pot test
- ◆ Apperance

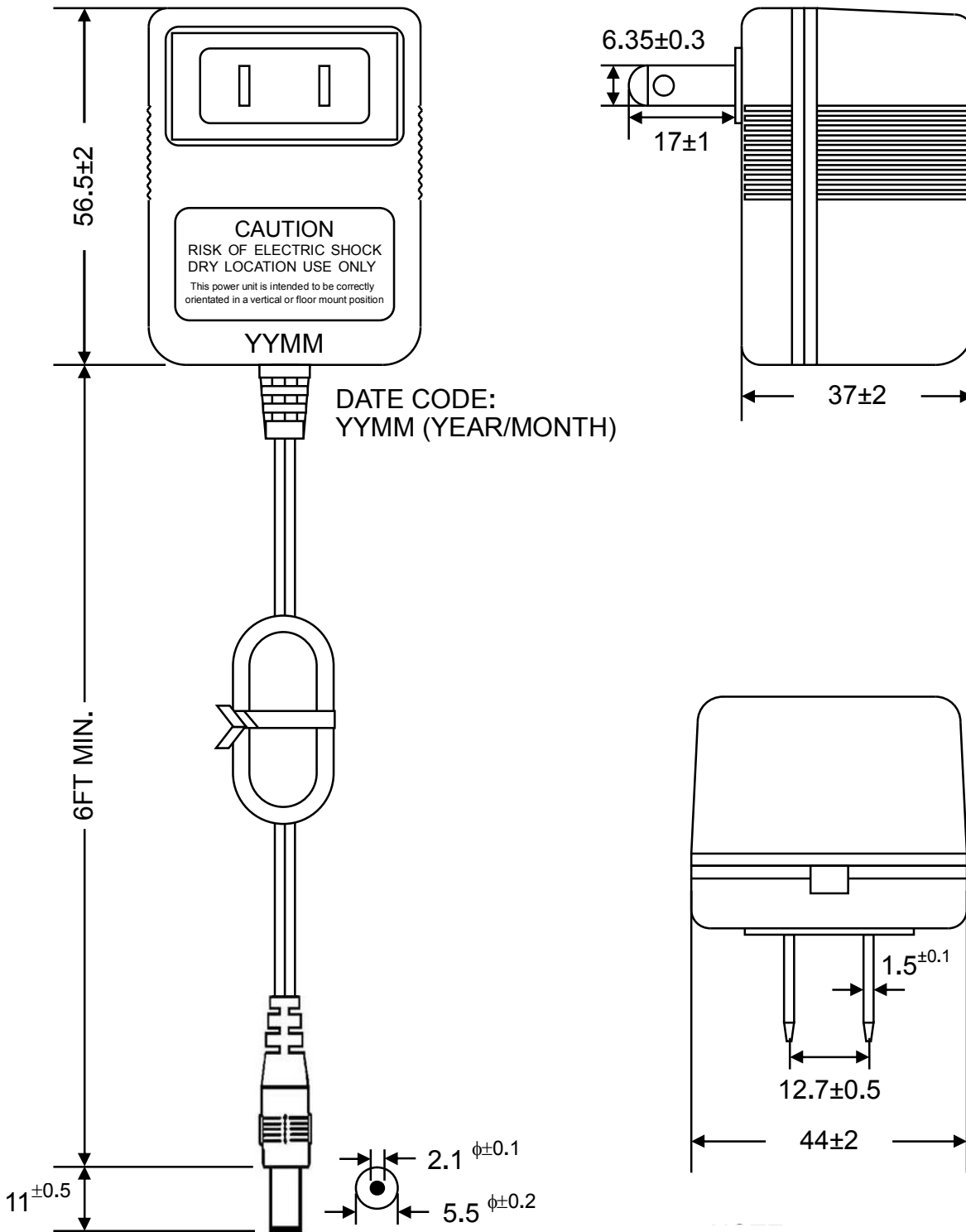
6.2 The test item for part of products

- ◆ Hum operating at rated load
- ◆ D.C.resistance
- ◆ Insulation test

7.0 NET WEIGHT : 162.6 g

APP.BY \_\_\_\_\_ CHK.BY \_\_\_\_\_ PRE.BY \_\_\_\_\_

8.0 APPEARANCE DIMENSION: ( UNIT:mm )



NOTE:

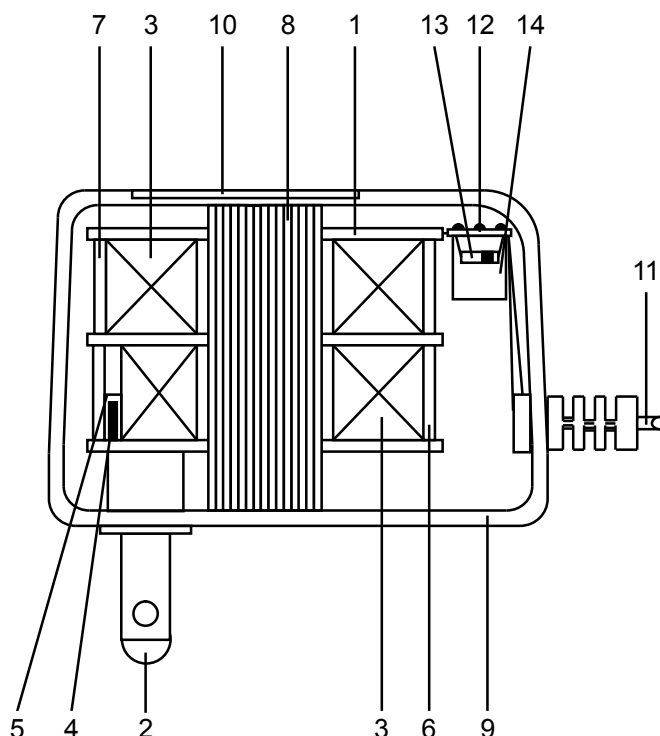
OUTPUT CORD: AWG#24

DC PLUG: 5.5 $\phi\pm 0.2$  x 2.1 $\phi\pm 0.1$  x 11 $\phi\pm 0.5$

CENTER: ⊕

APP.BY \_\_\_\_\_ CHK.BY \_\_\_\_\_ PRE.BY \_\_\_\_\_

9.0 MATERIAL LIST:

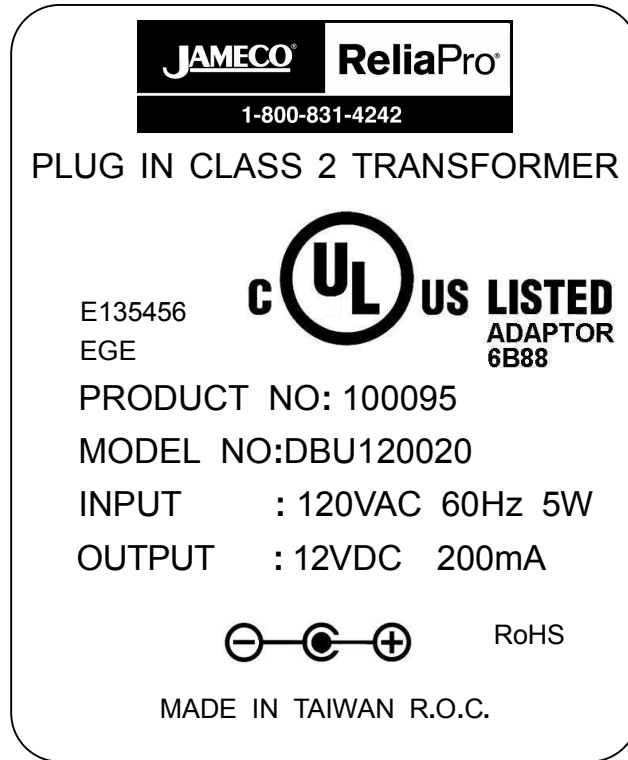


NO.	DESCRIPTION	MATERIAL	SPEC. & Q'TY	MANUFACTURE
1	Bobbin	70G33L(E41938)		East Tung Jung Plastic Hardware Co., Ltd. Hwa Yue Ltd.
2	Primary Blades	Nickel Plating		Spread Profit Electronic (Dong Guan) Co., Ltd.
3	Enameled Wire	Polyurethane Enameled Copper Wire(E85640(S))		Feng Ching Metal Corp. Tai-I Electric Wire & Cable Co., Ltd.
4	Thermal Cutoff	L20 (E142267) A2-F(E140847)	115°C 115°C	Joint Force Metal Research & Co. Aupo Electronics Ltd.
5	Insulation Between Primary Winding & Thermal Cutoff	Acetate Cloth Tape	0.34mm(1P)	Qun Yi Tape (Dongguan) Co., Ltd. Chyun Yih Tape Co., Ltd.
6	Primary Outer Wrap	Polyester Film Tape (E81174(S))	0.05mm(4T)	Qun Yi Tape (Dongguan) Co., Ltd. Chyun Yih Tape Co., Ltd.
7	Secondary Outer Wrap	Polyester Film Tape (E81174(S))	0.025mm(2T)	Qun Yi Tape (Dongguan) Co., Ltd. Chyun Yih Tape Co., Ltd.
8	Core	Silicon Steel	0.5mm	Shenzhen Chunyuan Steel Industrial Co., Ltd.
9	Enclosure	Noryl SE100X(E161723)		Sabic Innovative Plastics China Co Ltd
10	Nameplate	Plastic Film	0.2mm	Guang Ming You Tong Printing Factory
11	Output Cord	Flexible Cord	AWG#24	Huan Wei Enterprise Co., Ltd. Ming Sheng Enterprise Co., Ltd.
12	Rectifier Board	P.C.B.(E105119)	94V-0	Chih Hsien Enterprise Co., Ltd.
13	Diodes	1N4001---5		Master Instrument Corporation Shanghai Ltd.
14	Capacitor	470uf/20V		Fuh Yin Electronics Co., Ltd.

APP.BY \_\_\_\_\_ CHK.BY \_\_\_\_\_ PRE.BY \_\_\_\_\_

10.0: SAMPLE TEST DATA:						
ITEM	SPEC	SAMPLE				
		1	2	3	4	5
PRIMARY EXCITING CURRENT I/P: 120VAC 60Hz	60mA MAX.	27				
PRIMARY LOAD CURRENT I/P: 120VAC 60Hz	90mA MAX.	43				
SECONDARY VOLTAGE NO LOAD	17VDC±5%	17.14				
SECONDARY VOLTAGE LOAD: DC 200mA	12VDC±5%	12.08				
HI-POT TEST	INPUT TO OUTPUT 60 SECONDS	AC1240V 1mA	OK			
<p>APP.BY _____ CHK.BY _____ PRE.BY _____</p>						

## 11.0 NAMEPLATE DRAWING: ( UNIT:mm )



1.MATERIAL:Plastic Film

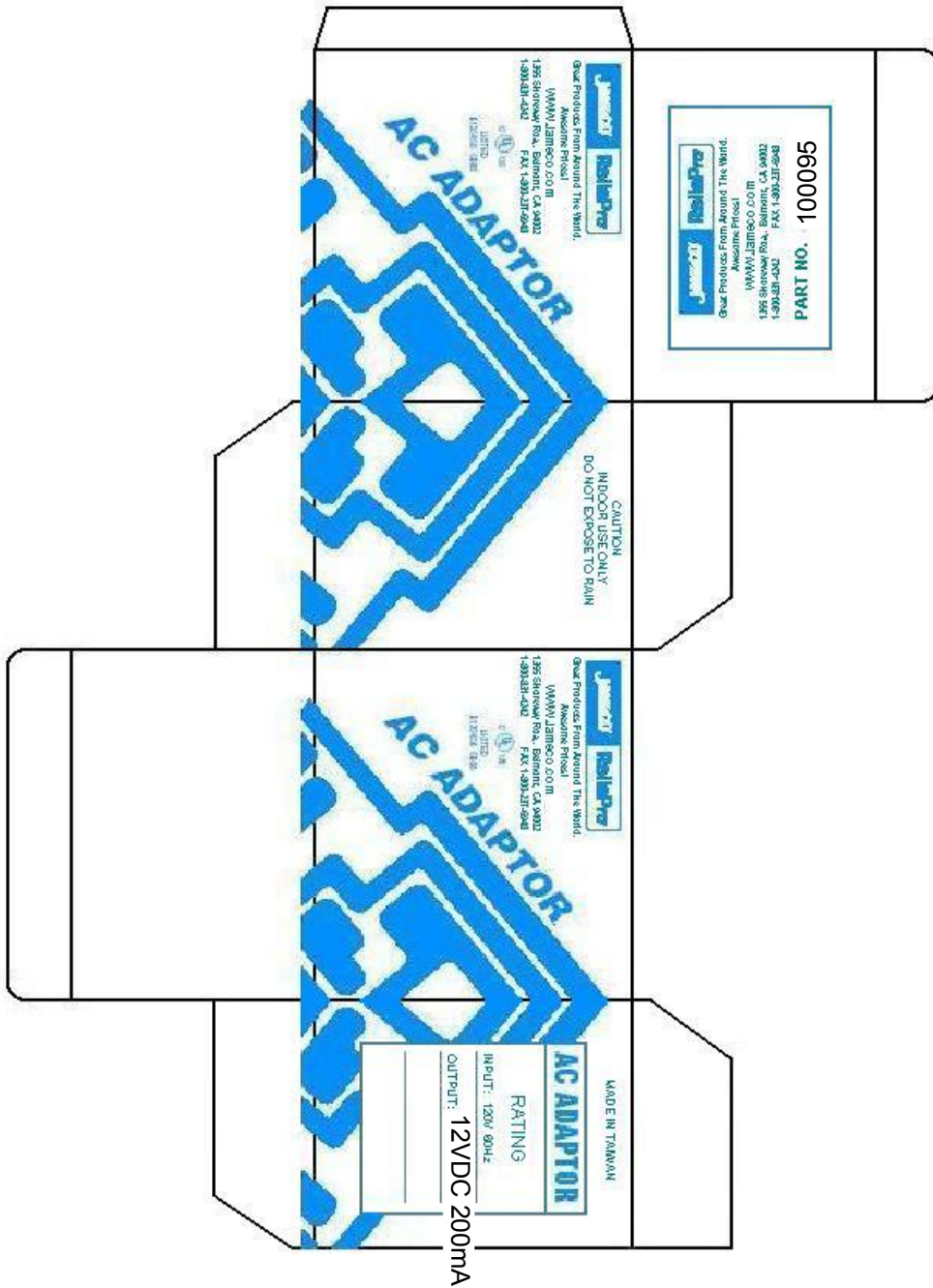
2.THICKNESS:0.2

3.PRINTING:WORD & :BLACK / BACKGROUND: SILVER

APP.BY \_\_\_\_\_ CHK.BY \_\_\_\_\_ PRE.BY \_\_\_\_\_



12.0 BOX DIMENSION: ( UNIT:mm )

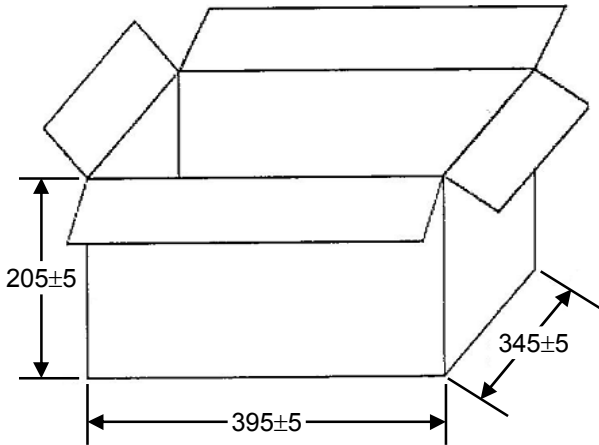
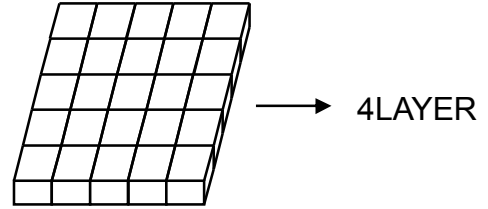
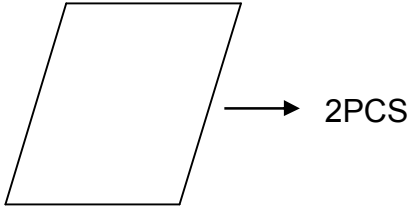


NOTE:

- 1. DIMENSION:75x45x65
- 2. WEIGH:400 POUNDS
- 3. PRINTING:WORD & PATTERN:BLUE / BACKGROUND: WHITE  
COLOR NO.:PMS300

APP.BY \_\_\_\_\_ CHK.BY \_\_\_\_\_ PRE.BY \_\_\_\_\_

13.0 PACKING LIST: ( UNIT:mm )



OBVERSE SIDE



Oakland, U.S.A.  
C/NO.  
Made in Taiwan

FLANK SIDE

PO#            P/N#  
Q'TY: 100 PCS  
Ship Date:Month/Day/Year

NOTE:

1. 4LAYER/CARTON
2. 25PCS/LAYER
3. 100PCS/CARTON

APP.BY \_\_\_\_\_ CHK.BY \_\_\_\_\_ PRE.BY \_\_\_\_\_