

Distributed by:

JAMECO[®]
ELECTRONICS

www.Jameco.com ♦ 1-800-831-4242

The content and copyrights of the attached
material are the property of its owner.

Jameco Part Number 100766

.100"(2.54mm) pitch Wire to Board Connectors

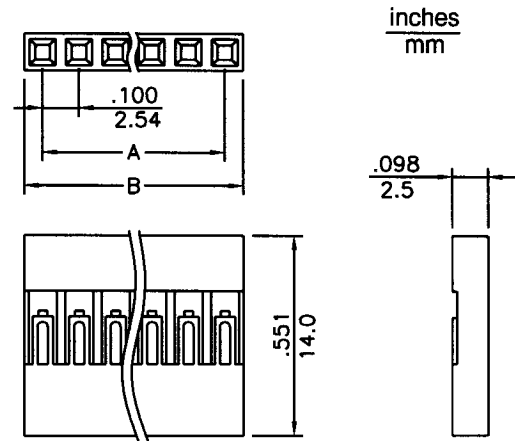
ROHS

CH328 Series (old item no. JS-1108 series)

- * Poles:1-40
- * Material:NORYL UL 94V-1 BLACK
- * Suitable CT328 or CT328B series terminal
- * Mates with CW328 series Header

Specifications

- * Current rating: 3A AC, DC
- * Voltage rating: 250V AC, DC
- * Temperature range: -25°C~+85°C
- * Insulation resistance: 1,000MΩ min.
- * Withstand voltage: 800V AC/minute



CIRCUITS	PART NO.	DIMENSION in.(mm)		CIRCUITS	PART NO.	DIMENSION	
		A	B			A	B
1	CH328-01		0.104(2.65)	21	CH328-21	2.000(50.80)	2.108(53.54)
2	CH328-02	0.100(2.54)	0.208(5.28)	22	CH328-22	2.100(53.34)	2.208(56.08)
3	CH328-03	0.200(5.08)	0.308(7.82)	23	CH328-23	2.200(55.88)	2.308(58.62)
4	CH328-04	0.300(7.62)	0.408(10.36)	24	CH328-24	2.300(58.42)	2.408(61.16)
5	CH328-05	0.400(10.16)	0.508(12.90)	25	CH328-25	2.400(60.96)	2.508(63.70)
6	CH328-06	0.500(12.70)	0.608(15.44)	26	CH328-26	2.500(63.50)	2.608(66.24)
7	CH328-07	0.600(15.24)	0.708(17.98)	27	CH328-27	2.600(66.04)	2.708(68.78)
8	CH328-08	0.700(17.78)	0.808(20.52)	28	CH328-28	2.700(68.58)	2.808(71.32)
9	CH328-09	0.800(20.32)	0.908(23.06)	29	CH328-29	2.800(71.12)	2.908(73.86)
10	CH328-10	0.900(22.86)	1.008(25.60)	30	CH328-30	2.900(73.66)	3.008(76.40)
11	CH328-11	1.000(25.40)	1.108(28.14)	31	CH328-31	3.000(76.20)	3.108(78.94)
12	CH328-12	1.100(27.94)	1.208(30.68)	32	CH328-32	3.100(78.74)	3.208(81.48)
13	CH328-13	1.200(30.48)	1.308(33.22)	33	CH328-33	3.200(81.28)	3.308(84.02)
14	CH328-14	1.300(33.02)	1.408(35.76)	34	CH328-34	3.300(83.82)	3.408(86.56)
15	CH328-15	1.400(35.56)	1.508(38.30)	35	CH328-35	3.400(86.36)	3.508(89.10)
16	CH328-16	1.500(38.10)	1.608(40.84)	36	CH328-36	3.500(88.90)	3.608(91.64)
17	CH328-17	1.600(40.64)	1.708(43.38)	37	CH328-37	3.600(91.44)	3.708(94.18)
18	CH328-18	1.700(43.18)	1.808(45.92)	38	CH328-38	3.700(93.98)	3.808(96.72)
19	CH328-19	1.800(45.72)	1.908(48.46)	39	CH328-39	3.800(96.52)	3.908(99.26)
20	CH328-20	1.900(48.26)	2.008(51.00)	40	CH328-40	3.900(99.06)	4.008(101.80)

.100"(2.54mm) pitch crimp terminal

CT328 Series (old item no. JS-1105-T-R)

- * Material:Brass
- * Finished:Tin plated 60u" or gold plated
- * Used in CH328, CH330 series housings
- * Wire range:AWG#22~#28
- * Insulation O.D:1.70mm(max)
- * Thickness:0.2mm
- * Q'TY:10,000pcs/reel

