

SPECIFICATION FOR APPROVAL

CUSTOMER: JAMES

PART NO: 10081

MODEL NO: ACU120100

DESIGNED NO: J0920 (RoHS)

REVISION: 1-2

CATEGORY: AC ADAPTOR

DATE SUBMITTED: 2012.09.12

SAMPLE/SPECIFICATION SUBMITTED	CONCLUSION	APPROVED
		REJECTED
		CONDITON APP'D
SAMPLE 0		
SPECIFICATION 1		

CUSTOMER'S SIGNATURE:



聯輝電機股份有限公司

EVER-GLOW ELECTRONIC CO., LTD.

臺灣: 高雄縣鳳山市輜汽路2號

TAIWAN:NO.2, TZU CHIH ROAD, FENG SHAN KAOHSIUNG
HSIEN 830, TAIWAN, R.O.C.

TEL:886-7-7711136(REPRESENTATIVE) FAX:886-7-7711145

東聯興科技(深圳)有限公司

DONG LIAN XING TECHNOLOGY (SHEN ZHEN)CO.,LTD.

大陸: 廣東省深圳市松崗鎮紅星村大田洋工業區9號

CHINA:DA TIAN YANG INDUSTRY DISTRICT NO.9 HONG XING VILLAGE
SONG GANG TOWN, SHEN ZHEN CITY GUANG DONG PROVINCE

TEL:86-755-29626655~7 FAX:86-755-29626658

MODEL NO : ACU120100
 CUSTOMER P/N : 10081
 DESCRIPTION : AC ADAPTOR
 ISSUED DATE : 2012.09.12
 REVISION : 1-2

TABLE OF CONTENTS

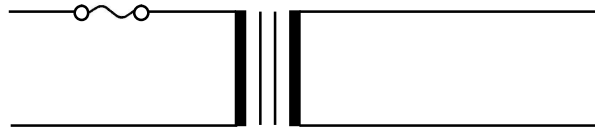
- 1.0 ELECTRICAL CHARACTERISTIC
- 2.0 MECHANICAL PERFORMANCE
- 3.0 SAFETY STANDARD
- 4.0 APPEARANCE REQUIREMENTS
- 5.0 ENVIRONMENTAL CONDITION
- 6.0 INSPECTION ON LINE
- 7.0 NET WEIGHT
- 8.0 APPEARANCE DIMENSION
- 9.0 MATERIAL LIST
- 10.0 SAMPLE TEST DATA
- 11.0 NAMEPLATE DRAWING
- 12.0 BOX DIMENSION
- 13.0 PACKING LIST

REV	DESCRIPTION	DATE
1-0	Initial released	2005/03/02
1-2	RoHS	2012/09/12

APP.BY _____ CHK.BY _____ PRE.BY _____

1.0 ELECTRICAL CHARACTERISTIC :

- 1.1 Input rated voltage and line frequency : 120 VAC 60 Hz.
- 1.2 Input exciting current (I_o) : 80 mA rms max. at input 120 VAC 60 Hz.
- 1.3 Input load current (I_p) : 200 mA rms max. Input 120 VAC 60 Hz output full load.
- 1.4 Empty loss : X W max, at input X VAC X Hz.
- 1.5 Electrical circuit :



1.6 Output rated voltage and current :

Test point	Full load rated voltage	Rated current	Ripple voltage r.m.s.	No load voltage
	12VAC ±5%	1000mA	mV MAX.	15VAC±5%

- 1.7 D.C.resistance : Primary 88 Ω±15%, measured at 25°C ambient temperature.
- 1.8 Hi-pot test : 1240 VAC 50/60Hz for 60 seconds between input to output plug and case normal performance. (leakage current 1mA)
- 1.9 Insulation resistance test : 500 VDC supplied, 100 MΩ min,between input to output plug and case.
- 1.10 Temperature rise test : input 120 VAC 60 Hz, output load 1.0 A for input coil 75 °C max (by use resistance method) on case surface X °C max (by use thermometer method) at 25°C ambient temperature.
- 1.11 Humidity test : In an ambient temperature 40±2 °C and 90-95 % R.H for 4 hours , after 10 minutes out of the oven ,the unit should meet item 1.8 requirements, and insulation resistance shall be 10M ohms min .

2.0 MECHANICAL PERFORMANCE :

- 2.1 Strain relief test : at normal position, 20 lbs to output cord for 60 seconds each,there shall be no breakage displacement .
- 2.2 Drop test : dropped freely from 3 feet height onto a concrete floor covered with 1/8 inch Vinyl tile 3 times from 3 different surface the unit should meet the item 1.8 、 1.9.

APP.BY _____ CHK.BY _____ PRE.BY _____

2.3 Bending test : the plug and S/R should withstand weight of 200 gram, it swinging from left to right at an angle of 120 degree for 300 cycles, and 15-20 cycles per minute, the cord shall be conductible .

3.0 SAFETY STANDARD :

UL/CUL GS CE PSE BSMI

4.0 APPEARANCE REQUIREMENTS :

4.1 Appearance : Damage and rusting are not permitted.

5.0 ENVIRONMENTAL CONDITION :

5.1 Operating temperature range : -10°C ----- +40°C

5.2 Storage temperature range : -20°C ----- +55°C

5.3 Operating humidity range : 30-85% R.H.

6.0 INSPECTION ON LINE :

6.1 The test items for each produce.

- ◆ Primary exciting current
- ◆ Core loss
- ◆ Output voltage
- ◆ Input current and power at rated load
- ◆ Foreign mass by shock
- ◆ Polarity of output plug
- ◆ Hi-pot test
- ◆ Apperance

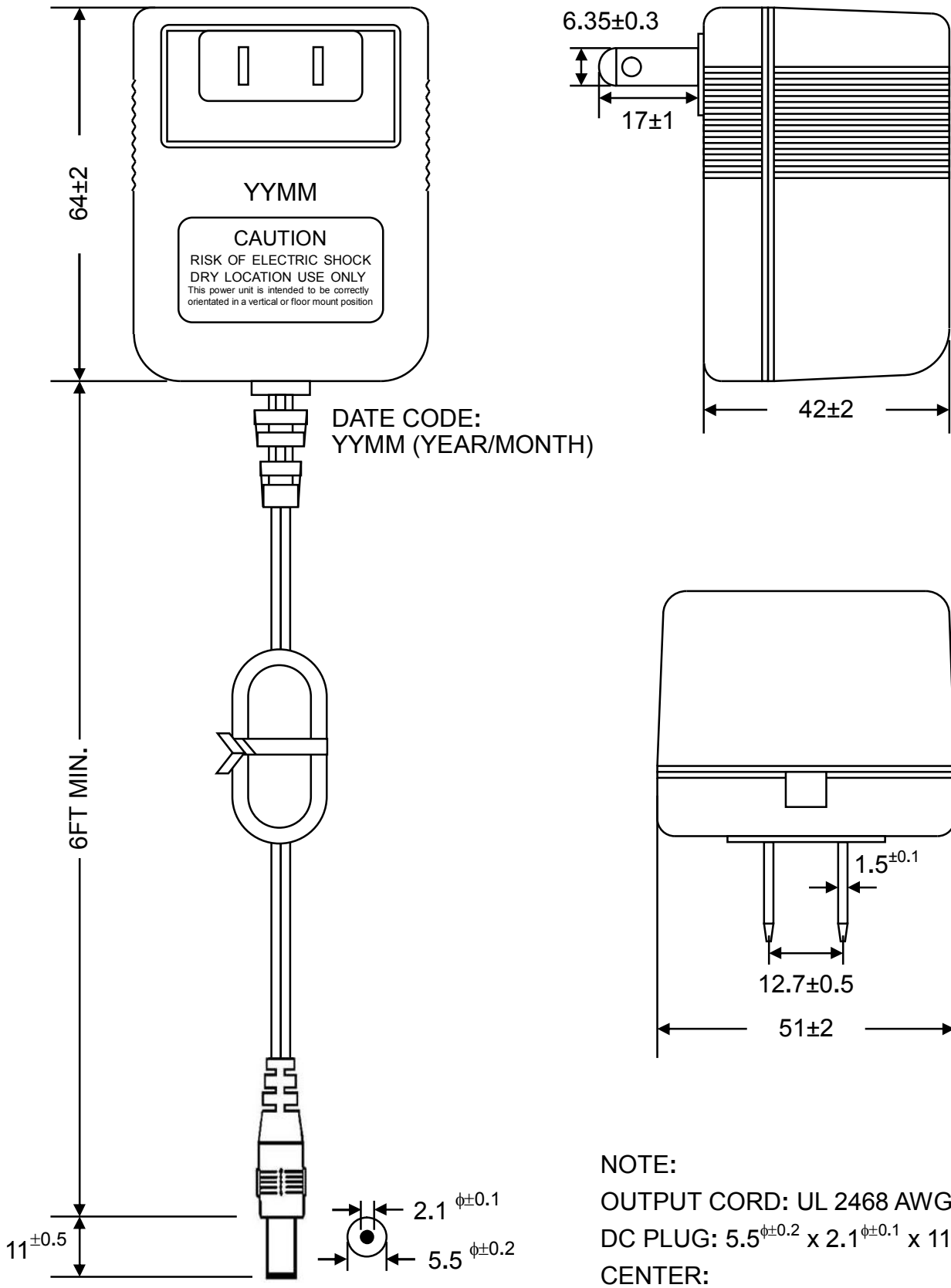
6.2 The test item for part of products

- ◆ Hum operating at rated load
- ◆ D.C.resistance
- ◆ Insulation test

7.0 NET WEIGHT : 278 g

APP.BY _____ CHK.BY _____ PRE.BY _____

8.0 APPEARANCE DIMENSION: (UNIT:mm)



NOTE:

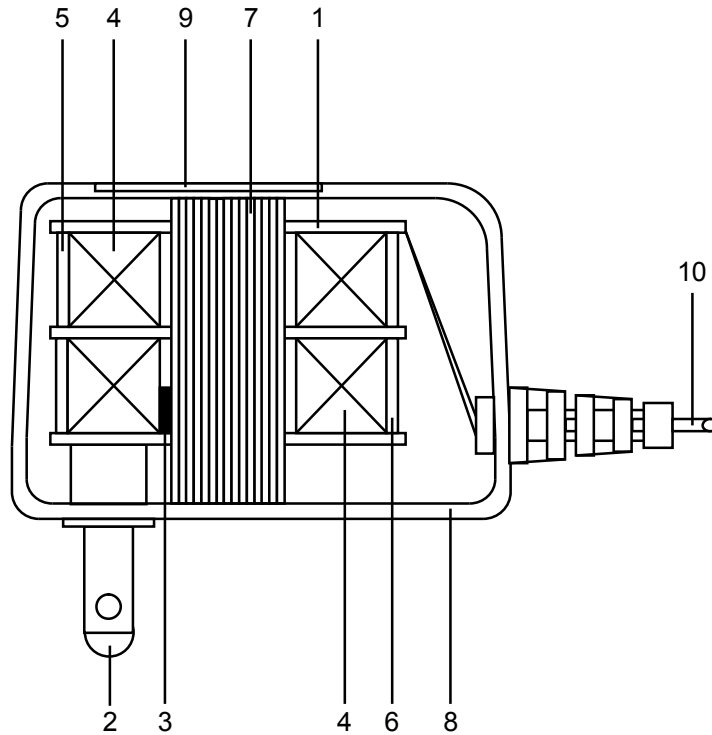
OUTPUT CORD: UL 2468 AWG#22

DC PLUG: $5.5 \phi \pm 0.2$ x $2.1 \phi \pm 0.1$ x 11 ± 0.5

CENTER:

APP.BY _____ CHK.BY _____ PRE.BY _____

9.0 MATERIAL LIST:



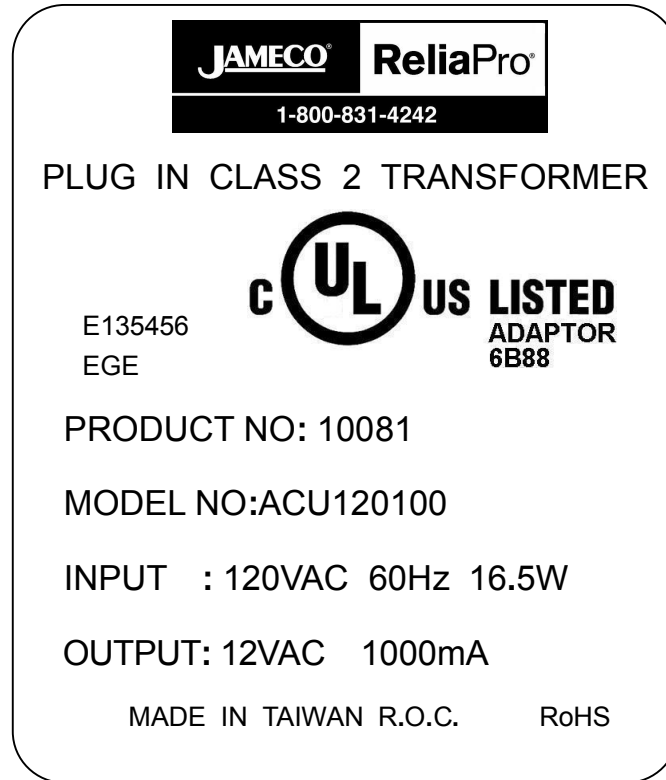
NO.	DESCRIPTION	MATERIAL	SPEC. & Q'TY	MANUFACTURE
1	Bobbin	70G33L(E41938)		East Tung Jung Plastic Hardware Co., Ltd. Hwa Yue Ltd.
2	Primary Blades	Nickel Plating		Spread Profit Electronic (Dong Guan) Co., Ltd.
3	Thermal Cutoff	L20 (E142267) A2-F(E140847)	115°C 115°C	Joint Force Metal Research & Co. Aupo Electronics Ltd.
4	Enameled Wire	Polyurethane Enameled Copper Wire(E85640(S))		Feng Ching Metal Corp. Tai-I Electric Wire & Cable Co., Ltd.
5	Primary Outer Wrap	Polyester Film Tape (E81174(S))	0.05mm(4T)	Qun Yi Tape (Dongguan) Co., Ltd. Chyun Yih Tape Co., Ltd.
6	Secondary Outer Wrap	Polyester Film Tape (E81174(S))	0.025mm(2T)	Qun Yi Tape (Dongguan) Co., Ltd. Chyun Yih Tape Co., Ltd.
7	Core	Silicon Steel	0.5mm	Shenzhen Chunyuan Steel Industrial Co., Ltd.
8	Enclosure	Noryl SE100X(E161723)		Sabic Innovative Plastics China Co Ltd
9	Nameplate	Plastic Film	0.2mm	Guang Ming You Tong Printing Factory
10	Output Cord	Flexible Cord (E112781)	AWG#22 UL2468	Huan Wei Enterprise Co., Ltd. Ming Sheng Enterprise Co., Ltd.

APP.BY _____ CHK.BY _____ PRE.BY _____

10.0: SAMPLE TEST DATA:						
ITEM	SPEC	SAMPLE				
		1	2	3	4	5
PRIMARY EXCITING CURRENT I/P: 120VAC 60Hz	80mA MAX.	34				
PRIMARY LOAD CURRENT I/P: 120VAC 60Hz	200mA MAX.	139				
SECONDARY VOLTAGE NO LOAD	15VAC±5%	15.07				
SECONDARY VOLTAGE LOAD: AC 1000mA	12VAC±5%	12.07				
HI-POT TEST	INPUT TO OUTPUT 60 SECONDS	AC1240V 1mA	OK			

APP.BY _____ CHK.BY _____ PRE.BY _____

11.0 NAMEPLATE DRAWING: (UNIT:mm)



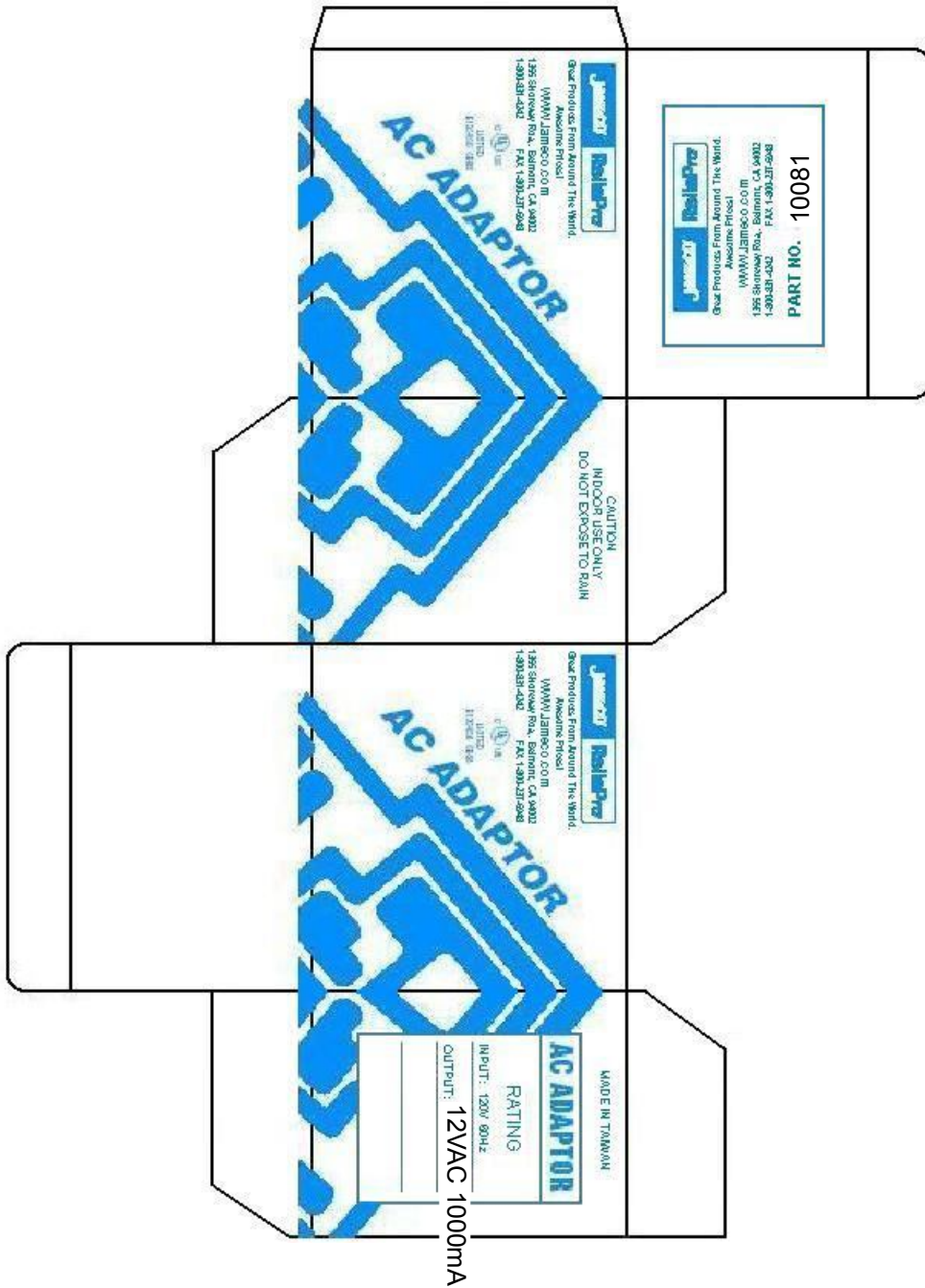
1.MATERIAL:Plastic Film

2.THICKNESS:0.2

3.PRINTING:WORD & :BLACK / BACKGROUND: SILVER

APP.BY _____ CHK.BY _____ PRE.BY _____

12.0 BOX DIMENSION: (UNIT:mm)

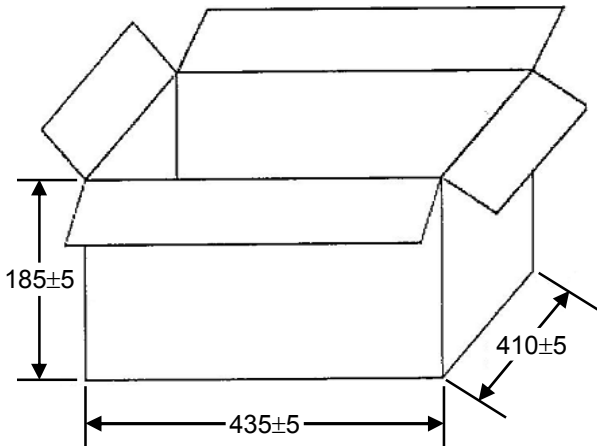
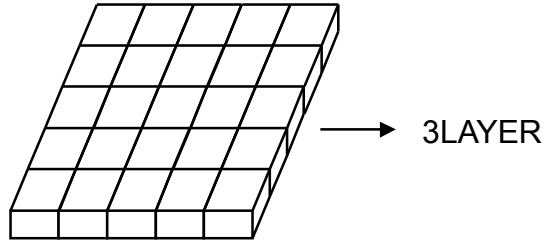


NOTE:

1. DIMENSION:83x52x78
2. WEIGH:400 POUNDS
3. PRINTING:WORD & PATTERN:BLUE / BACKGROUND: WHITE
COLOR NO.:PMS300

APP.BY _____ CHK.BY _____ PRE.BY _____

13.0 PACKING LIST: (UNIT:mm)



OBVERSE SIDE



Oakland, U.S.A.
C/NO.
Made in Taiwan

FLANK SIDE

PO# P/N#
Q'TY: 75 PCS
Ship Date:Month/Day/Year

NOTE:

- 1. 3LAYER/CARTON
- 2. 25PCS/LAYER
- 3. 75PCS/CARTON

APP.BY _____ CHK.BY _____ PRE.BY _____