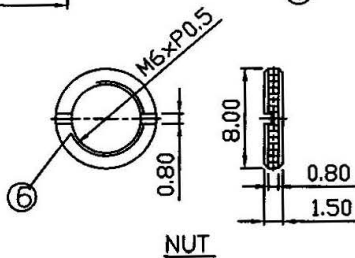
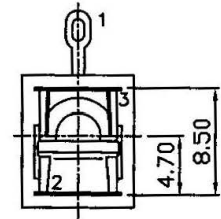
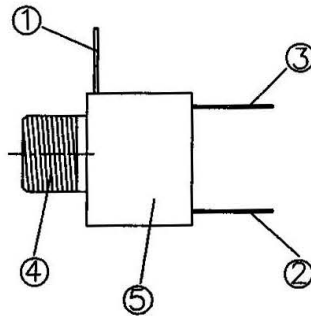
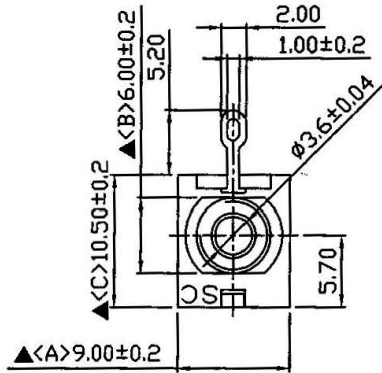
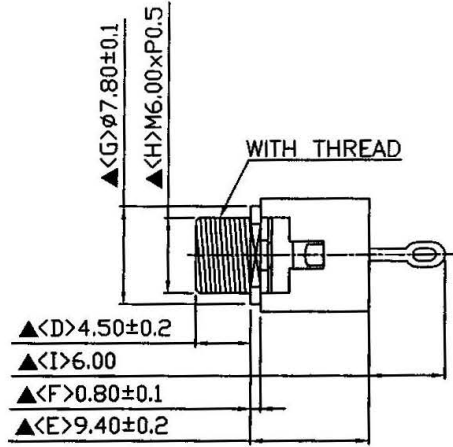
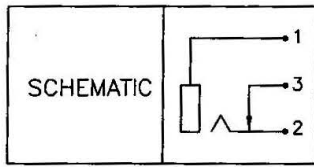


Date	Rev.	Description



6.	NUT	1.5T Brass	1	Nickel Plated
5.	Housing	POM	1	Gray Color
4.	Barrel(W/Thread)	Brass	1	Nickel Plated
3.	Ring Spring	0.3T Phosphor Bronze	1	Silver Plated
2.	Tip Spring	0.2T Phosphor Bronze	1	Silver Plated
1.	Earth Terminal	0.3T Brass	1	Silver Plated
NO.	Description	Material	Q'TY	Finish

SPECIFICATIONS:
 Contact Resistance : 30mΩ max
 Insulation Resistance : 100MΩ min. at DC 500V
 Dielectric Withstanding Voltage : AC 500V for one minute
 Remark: ▲ : The Most Important Dimension

MATERIAL
DRAWN: Kiki Chen
VERIFY PEOPLE: Wendy Chen, Fanny Du

GOLDSUN ELECTRONICS CO., LTD.

JAMECO NO. **101143** GOLDSUN NO. SCJ310MINYS1I00G

Description: POWER JACK 3.5mm FEMALE Rev. 1

UNIT: mm SCALE: SHEET 1 OF 1 CAS No: ERN No:

DCC. NO.
A4 DRAWING NO.