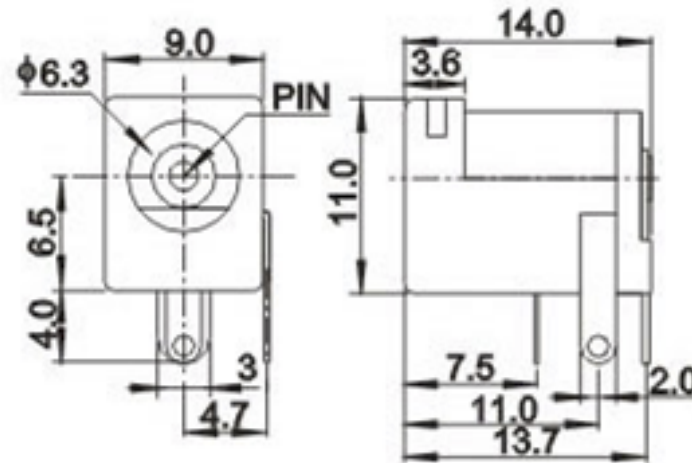
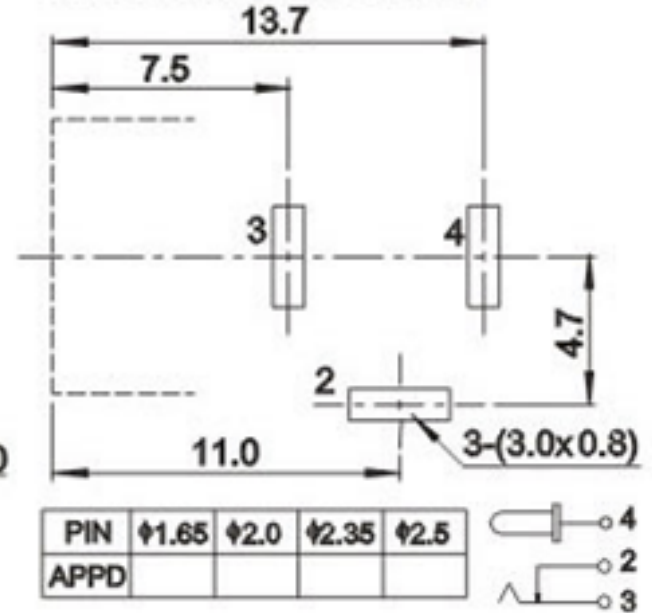


Date	Rev.	Description



P.C.B LAYOUT TOP VIEW



DCC. NO.
A4 DRAWING NO.

MATERIAL		GOLDSUN ELECTRONICS CO., LTD.			
		JAMECO NO. 101178	GOLDSUN NO.		
DRAWN: Erin		Description JACK DC POWER MALE 2.1mm			Rev. 1
VERIFY PEOPLE: Chesley		UNIT: mm	SCALE:	SHEET 1 OF 1	CAS No: ERN No: