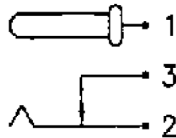
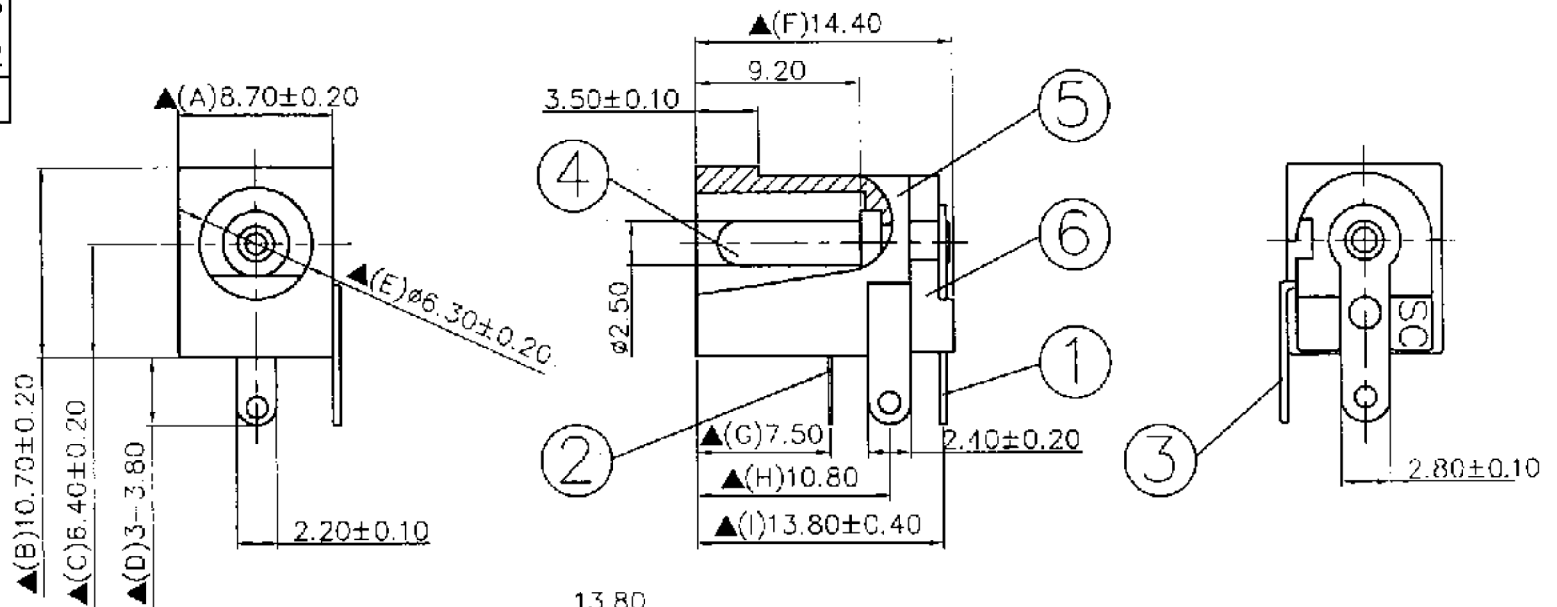
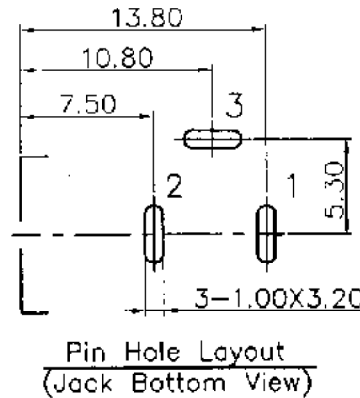


SCHEMATIC	
MODEL NO	C



6.	Cover	PBT+30% Fibre Glass	1	Black Color
5.	Housing	PBT+30% Fibre Glass	1	Black Color
4.	Pin(2.5∅)	Copper	1	Nickel Plated
3.	Break Terminal	0.4T Brass	1	Silver Plated
2.	Sleeve Spring	0.2T Phosphor Bronze	1	Silver Plated
1.	Pin Terminal	0.4T Brass	1	Silver Plated
NO.	Description	Material	Q'TY	Finish



SPECIFICATIONS:
 Contact Resistance : 30mΩ max
 Current Rating : Max 5.0A , 24V DC
 Insulation Resistance : 100MΩ min. at DC 500V
 Dielectric Withstand Voltage : AC 500V for one minute
 Remark: ▲ : The Most Important Dimension

RoHS
Compliant

DCC. NO.
A4 DRAWING NO.

MATERIAL		GOLDSUN ELECTRONICS CO., LTD.	
JAMECO NO.	101187	GOLDSUN NO.	SCD438DCS011B00G
DESCRIPTION	Connector Power Male 3 Position Solder Lug Right Angle Panel Mount 3 Terminal 1 Port		Rev. 1
DRAWN:	Colin Hung	UNIT:	SCALE:
VERIFY PEOPLE:	Annie	mm	SHEET 1 OF 1
		CAS No:	ERN No: