

Distributed by:

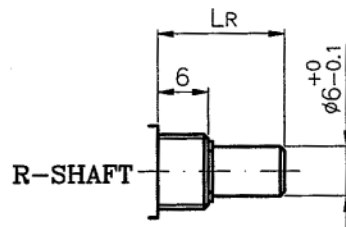
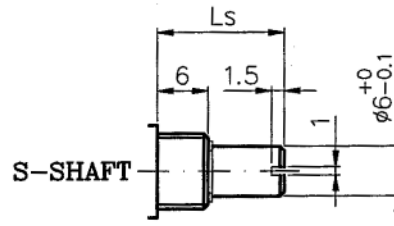
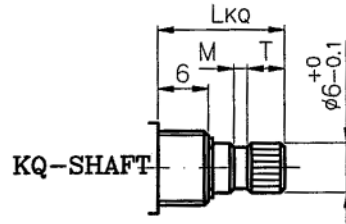
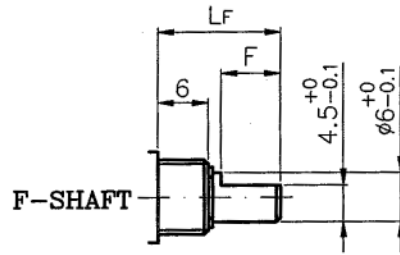
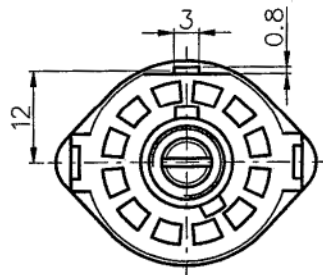
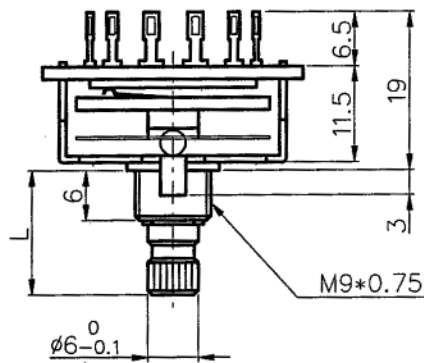
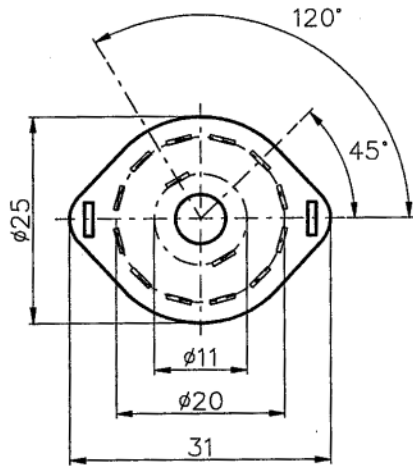
JAMECO[®]
ELECTRONICS

www.Jameco.com ♦ 1-800-831-4242

The content and copyrights of the attached
material are the property of its owner.

Jameco Part Number 101574

Date	Rev.	Description



X=KQ			X=F.S.R	
40	12	2	40	12
35	12	2	35	12
30	12	2	30	12
25	12	2	25	12
20	10	2	20	12
15	8.5	1	15	7
L	T	M	L	F

MATERIAL	GOLDSUN ELECTRONICS CO., LTD.		
JAMECO NO.	101574	GOLDSUN NO.	SR25126N
DESCRIPTION	ROTARY SWITCH		Rev. 1
UNIT: mm	SCALE:	SHEET 1 OF 1	CAS No: ERN No:

DCC. NO.
A4 DRAWING NO.

DRAWN: Kiki Chen
VERIFY PEOPLE: Ada Zheng , Ivy Lan