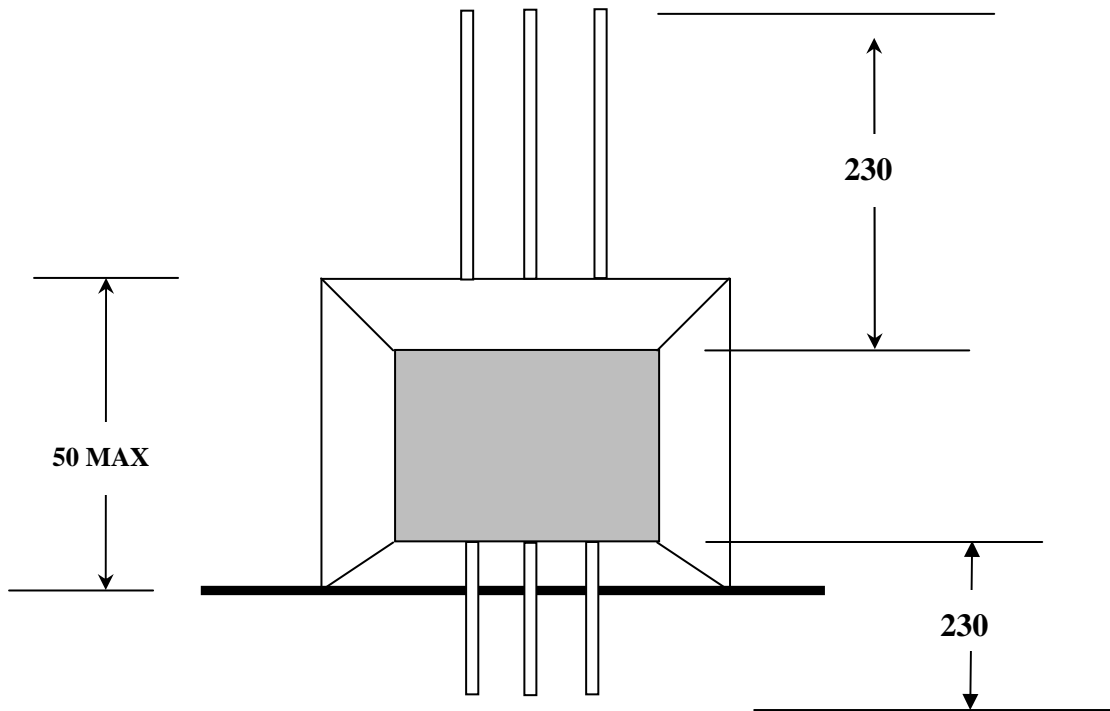
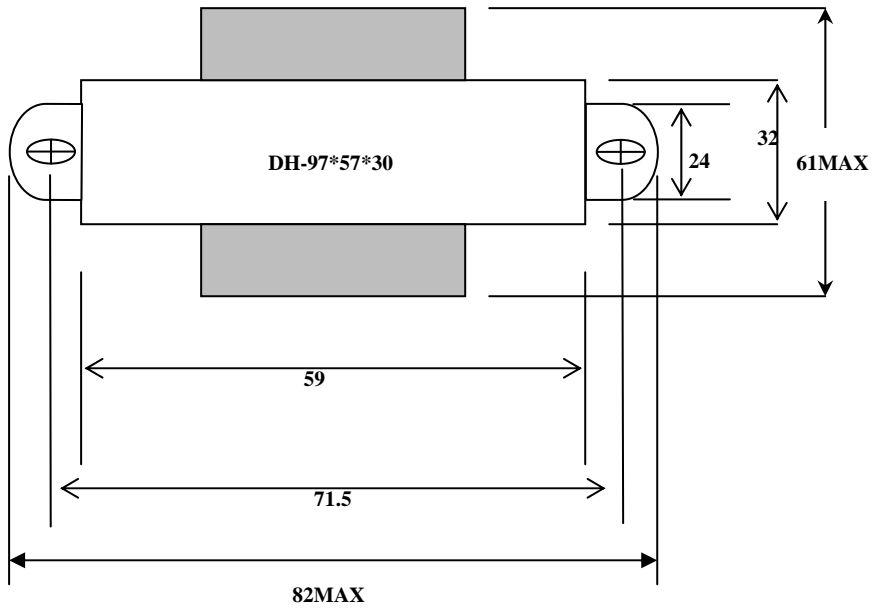
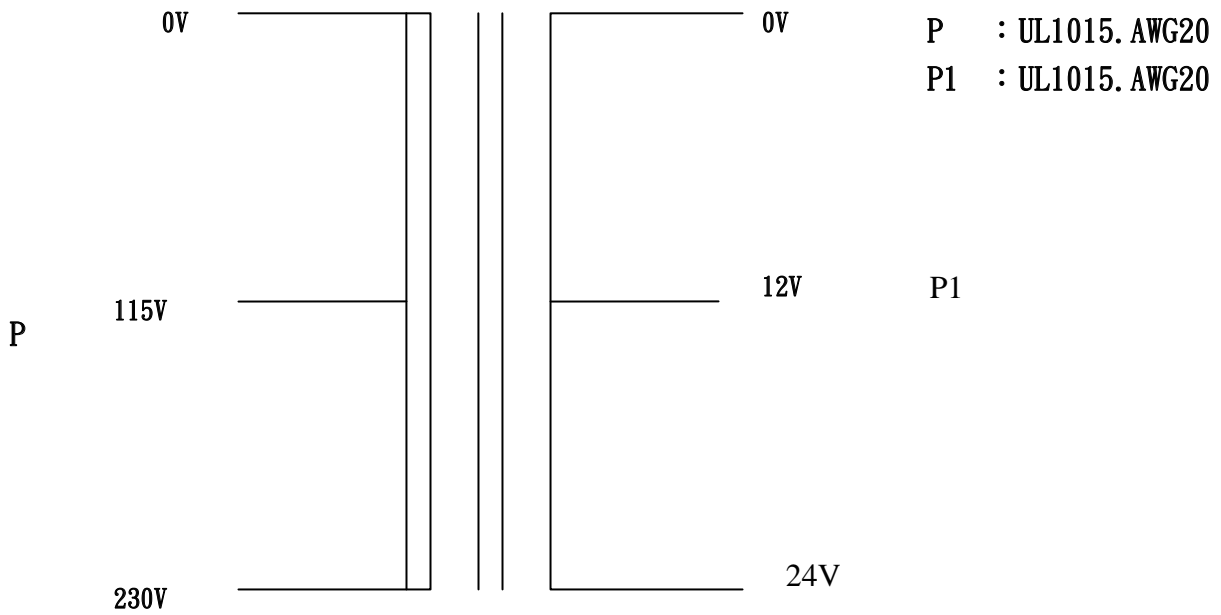


MATERIAL LIST :		
	MATERIAL	
1	BOBBIN	NYLON
2	SILICON	H 50
3	WIRE	2UEW 130°C
4	TAPE	
5	PAPER	0.25 mm
6	PVC	1015*20AGW
7	PVC	1015*20AGW
8	L	
9		

MATERIAL	<b>GOLDSUN ELECTRONICS CO., LTD.</b>		
	JAMECO NO. 102112	GOLDSUN NO. AC24-1-ROHS	
DRAWN: Ivan Wang	Description POWER TRANS. I/P: 115/230VAC O/P: 24VCT 1A, WIRE LEADS		Rev. 1
VERIFY PEOPLE: Jenny	UNIT: mm	SCALE:	SHEET 1 OF 1 CAS No: ERN No:



MATERIAL		<b>GOLDSUN ELECTRONICS CO., LTD.</b>	
		JAMECO NO. 102112	GOLDSUN NO. AC24-1-ROHS
DRAWN: Ivan Wang		Description POWER TRANS. I/P: 115/230VAC	
VERIFY PEOPLE: Jenny		O/P: 24VCT 1A, WIRE LEADS	
UNIT: mm	SCALE:	SHEET 1 OF 1	CAS No: ERN No:
			Rev. 1



SPECIFICATOIN
TYPE: Single Phase Power Transformer
Output capacity: 20 VA
Primary Voltage:115V 230V
Primary Voltage:P1 : 12V P2 : 24V
Secondary current:P1 : 1A P2 : 1A
Frequency :50/60Hz
Time frame: continuous
Insulation resistance: DC500V 100MΩ above
Insulation endurance:AC1500V 1min 50Hz P-S
Temperature: Below 70deg
Voltage mobility rate: below 10%
Voltage deviation: within ±5%
RoHS

MATERIAL		<b>GOLDSUN ELECTRONICS CO., LTD.</b>		
		JAMECO NO. 102112	GOLDSUN NO. AC24-1-ROHS	
DRAWN: Ivan Wang		Description POWER TRANS. I/P: 115/230VAC O/P: 24VCT 1A, WIRE LEADS		Rev. 1
VERIFY PEOPLE: Jenny		UNIT: mm	SCALE:	SHEET 1 OF 1
		CAS No: ERN No:		