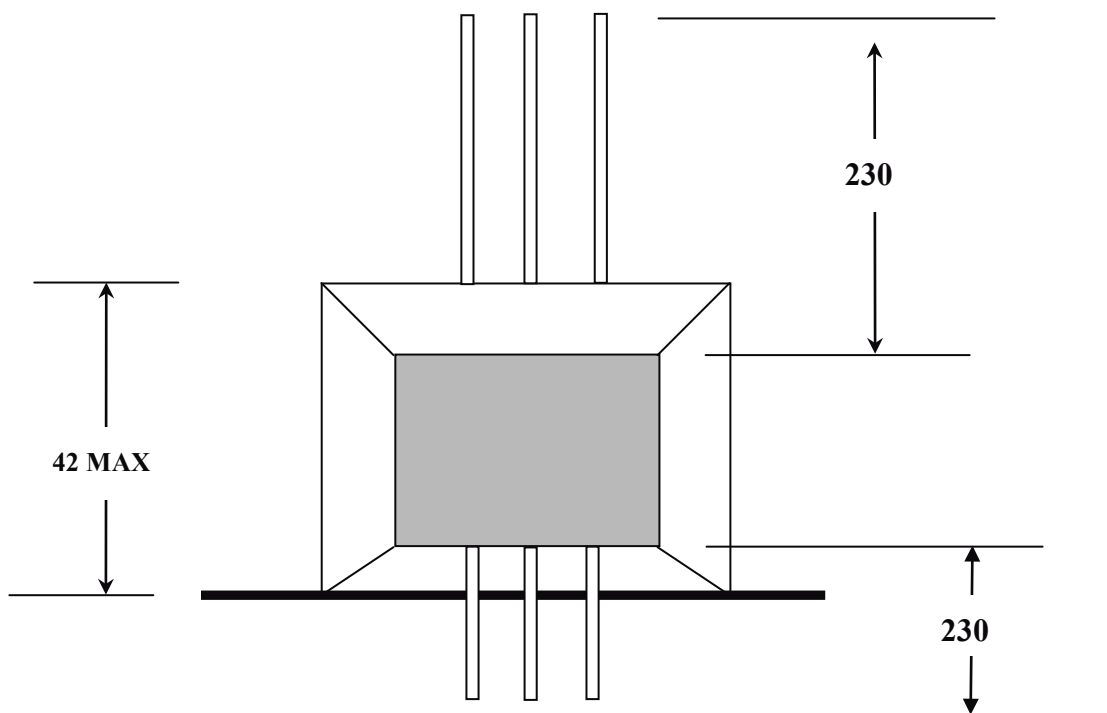
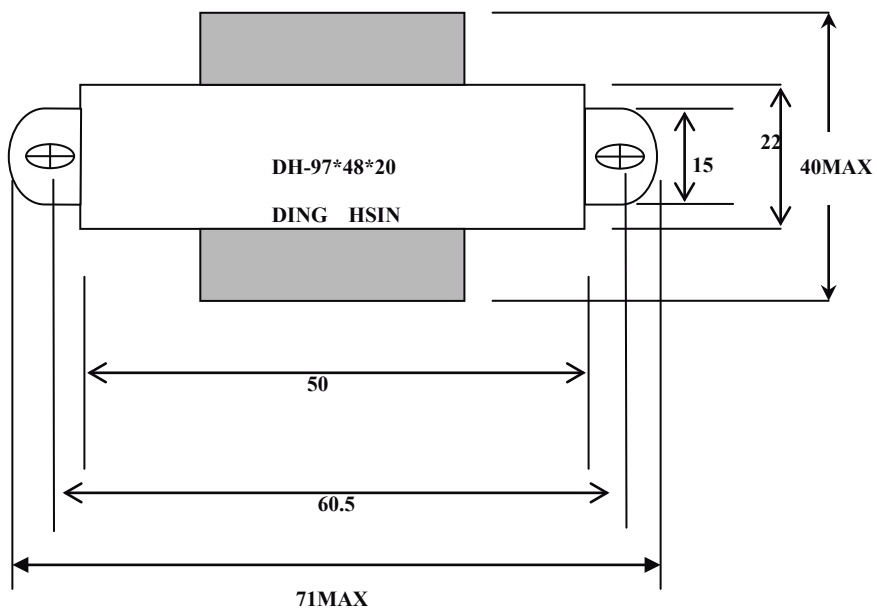


MATERIAL LIST :

NO	Material	
1	BOBBIN	NYLON
2	SILICON	H 50
3	WIRE	2UEW 130°C
4	TAPE	
5	PAPER	0.25 mm
6	PVC	1015*20AGW
7	PVC	1015*20AGW
8	L	
9		

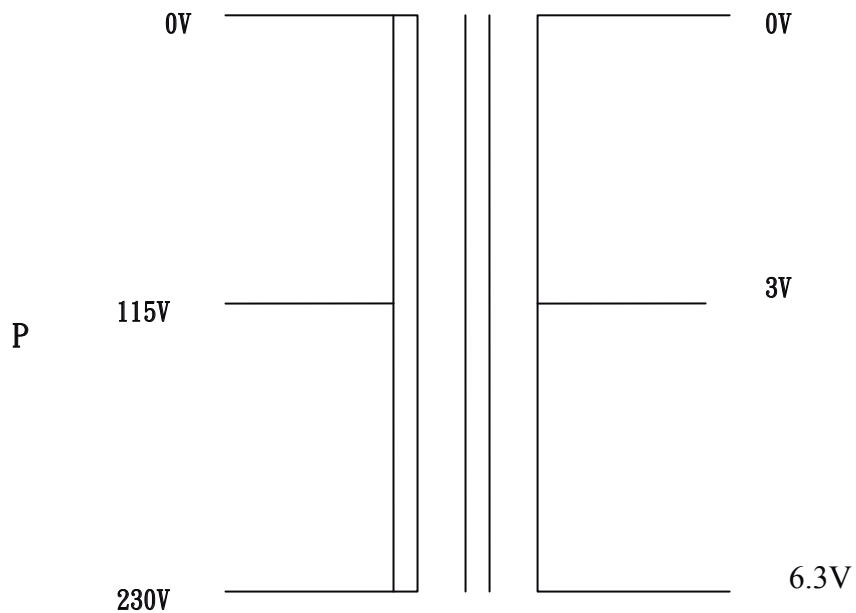
GOLDSUN ELECTRONICS CO., LTD.

JAMECO NO. 102163		GOLDSUN NO. AC-463-1.2-R	
Description POWER TRAN. 6.3VCT@1.2A.115/230VAC WIRE LEADS			Rev. 1
UNIT: mm	SCALE:	SHEET 1 OF 1	CAS No: ERN No:



GOLDSUN ELECTRONICS CO., LTD.

JAMECO NO. 102163		GOLDSUN NO. AC-463-1.2-R	
Description POWER TRAN. 6.3VCT@1.2A.115/230VAC WIRE LEADS			Rev. 1
UNIT: mm	SCALE:	SHEET 1 OF 1	CAS No: ERN No:



P 線 : UL1015. AWG20
P1 線 : UL1015. AWG20

- 1. TYPE: Single Phase Power Transformer
- 2. Output capacity: 7.5 VA
- 3. Primary Voltage: P-115V 230V
- 4. Secondary Voltage P1 : 3V P2 : 6.3V
- 5. Secondary current P1 : 1.2A P2 : 1.2A
- 6. Frequency: 50/60Hz
- 7. Time frame: continuous
- 8. Insulation resistance: DC500V 100MΩ以上
- 9. Insulation endurance: AC1500V 1min 50Hz P-S

- 10. Temperature Below 70deg
- 11. Voltage mobility rate: Below 10%
- 12. Voltage deviation: within ±5%
- 13. RoHS

GOLDSUN ELECTRONICS CO., LTD.			
JAMECO NO. 102163		GOLDSUN NO. AC-463-1.2-R	
Description POWER TRAN. 6.3VCT@1.2A.115/230VAC WIRE LEADS			Rev. 1
UNIT: mm	SCALE:	SHEET 1 OF 1	CAS No: ERN No: