

MODEL NO : DCU120050
 CUSTOMER P/N : 102496
 DESCRIPTION : AC ADAPTOR
 ISSUED DATE : 2012.04.16
 REVISION : 1-0

TABLE OF CONTENTS

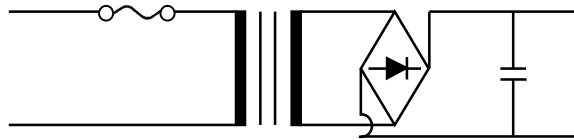
- 1.0 ELECTRICAL CHARACTERISTIC
- 2.0 MECHANICAL PERFORMANCE
- 3.0 SAFETY STANDARD
- 4.0 APPEARANCE REQUIREMENTS
- 5.0 ENVIRONMENTAL CONDITION
- 6.0 INSPECTION ON LINE
- 7.0 NET WEIGHT
- 8.0 APPEARANCE DIMENSION
- 9.0 MATERIAL LIST
- 10.0 SAMPLE TEST DATA
- 11.0 NAMEPLATE DRAWING
- 12.0 BOX DIMENSION
- 13.0 PACKING LIST

REV	DESCRIPTION	DATE
1-0	Initial released	
1-1	RoHS	2012.04.16

APP.BY _____ CHK.BY _____ PRE.BY _____

1.0 ELECTRICAL CHARACTERISTIC :

- 1.1 Input rated voltage and line frequency : 120 VAC 60 Hz.
- 1.2 Input exciting current (I_o) : 70 mA rms max. at input 120 VAC 60 Hz.
- 1.3 Input load current (I_p) : 130 mA rms max. Input 120 VAC 60 Hz output full load.
- 1.4 Empty loss : X W max, at input X VAC X Hz.
- 1.5 Electrical circuit :



1.6 Output rated voltage and current :

Test point	Full load rated voltage	Rated current	Ripple voltage r.m.s.	No load voltage
	12VDC ±5%	500mA	mV MAX.	18VDC±5%

- 1.7 D.C.resistance : Primary 124.3 Ω±15%, measured at 25°C ambient temperature.
- 1.8 Hi-pot test : 1240 VAC 50/60Hz for 60 seconds between input to output plug and case normal performance. (leakage current 1mA)
- 1.9 Insulation resistance test : 500 VDC supplied, 100 MΩ min,between input to output plug and case.
- 1.10 Temperature rise test : input 120 VAC 60 Hz, output load 0.5 A for input coil 75 °C max (by use resistance method) on case surface X °C max (by use thermometer method) at 25°C ambient temperature.
- 1.11 Humidity test : In an ambient temperature 40±2 °C and 90-95 % R.H for 4 hours , after 10 minutes out of the oven ,the unit should meet item 1.8 requirements, and insulation resistance shall be 10M ohms min .

2.0 MECHANICAL PERFORMANCE :

- 2.1 Strain relief test : at normal position, 20 lbs to output cord for 60 seconds each,there shall be no breakage displacement .
- 2.2 Drop test : dropped freely from 3 feet height onto a concrete floor covered with 1/8 inch Vinyl tile 3 times from 3 different surface the unit should meet the item 1.8 、 1.9.

APP.BY _____ CHK.BY _____ PRE.BY _____

2.3 Bending test : the plug and S/R should withstand weight of 200 gram, it swinging from left to right at an angle of 120 degree for 300 cycles, and 15-20 cycles per minute, the cord shall be conductible .

3.0 SAFETY STANDARD :

UL/CUL GS CE PSE BSMI

4.0 APPEARANCE REQUIREMENTS :

4.1 Appearance : Damage and rusting are not permitted.

5.0 ENVIRONMENTAL CONDITION :

5.1 Operating temperature range : -10°C ----- +40°C

5.2 Storage temperature range : -20°C ----- +55°C

5.3 Operating humidity range : 30-85% R.H.

6.0 INSPECTION ON LINE :

6.1 The test items for each produce.

- ◆ Primary exciting current
- ◆ Core loss
- ◆ Output voltage
- ◆ Input current and power at rated load
- ◆ Foreign mass by shock
- ◆ Polarity of output plug
- ◆ Hi-pot test
- ◆ Apperance

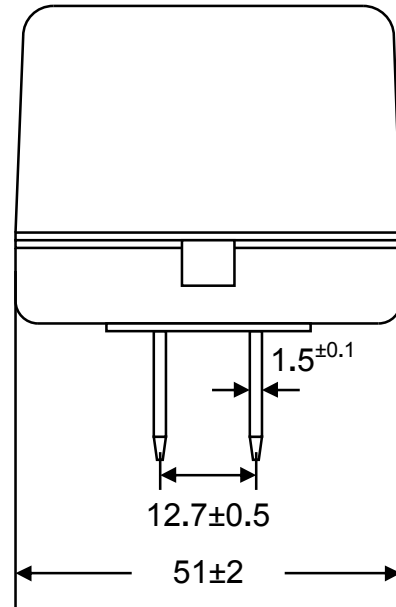
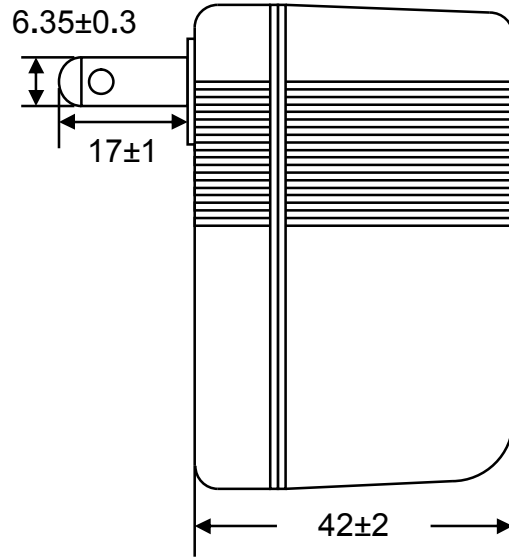
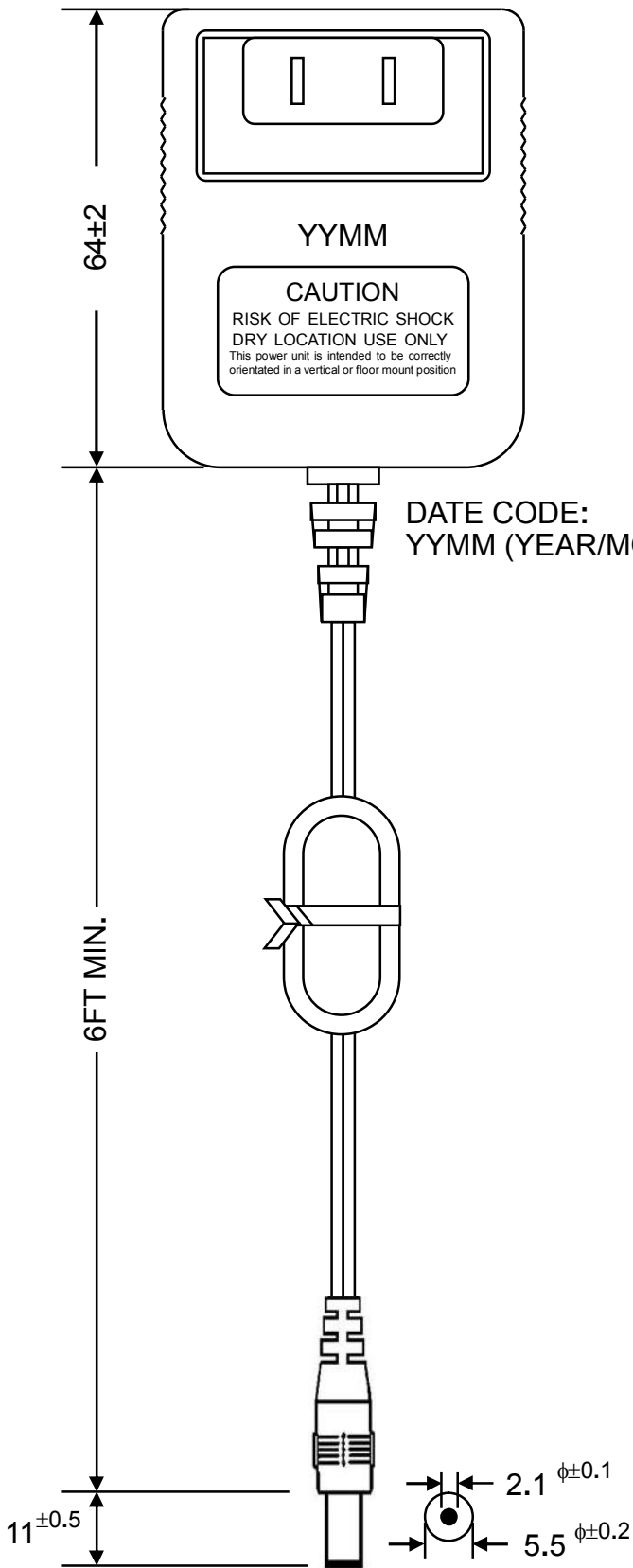
6.2 The test item for part of products

- ◆ Hum operating at rated load
- ◆ D.C.resistance
- ◆ Insulation test

7.0 NET WEIGHT : 250 g

APP.BY _____ CHK.BY _____ PRE.BY _____

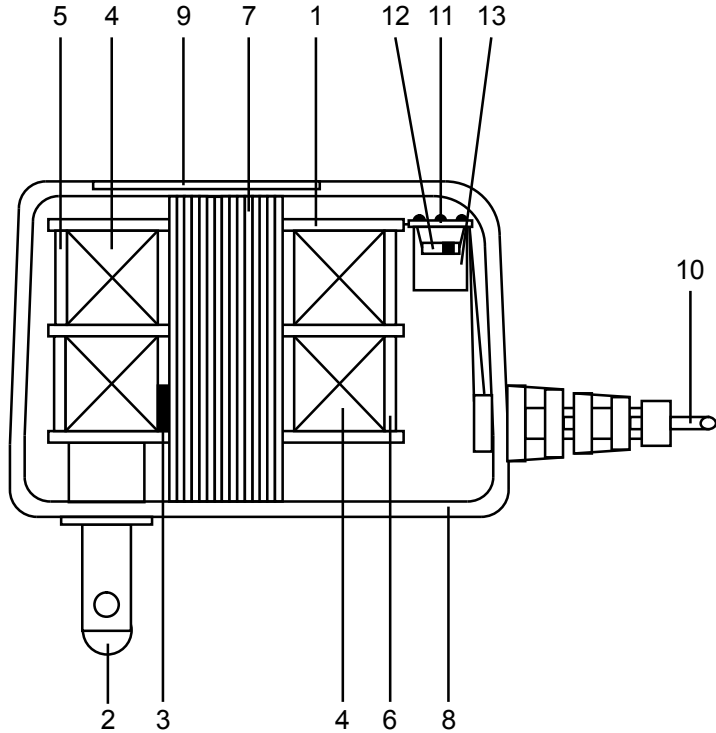
8.0 APPEARANCE DIMENSION: (UNIT:mm)



NOTE:
 OUTPUT CORD: AWG#24
 DC PLUG: 5.5 $\phi \pm 0.2$ x 2.1 $\phi \pm 0.1$ x 11 $\phi \pm 0.5$
 CENTER: ⊕

APP.BY _____ CHK.BY _____ PRE.BY _____

9.0 MATERIAL LIST:



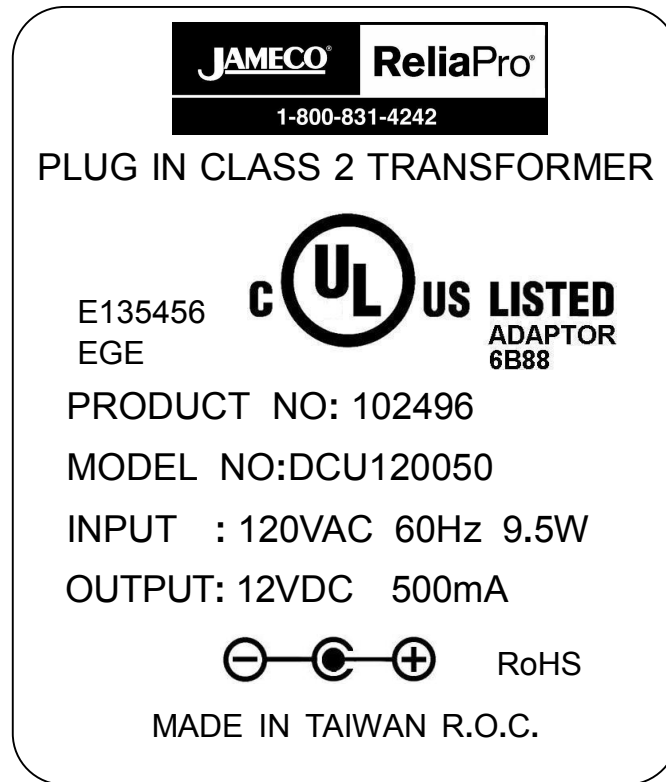
NO.	DESCRIPTION	MATERIAL	SPEC. & Q'TY	MANUFACTURE
1	Bobbin	70G33L(E41938)		East Tung Jung Plastic Hardware Co., Ltd. Hwa Yue Ltd.
2	Primary Blades	Nickel Plating		Spread Profit Electronic (Dong Guan) Co., Ltd.
3	Thermal Cutoff	L20 (E142267) A2-F(E140847)	115°C 115°C	Joint Force Metal Research & Co. Aupo Electronics Ltd.
4	Enameled Wire	Polyurethane Enameled Copper Wire(E85640(S))		Feng Ching Metal Corp. Tai-I Electric Wire & Cable Co., Ltd.
5	Primary Outer Wrap	Polyester Film Tape (E81174(S))	0.05mm(4T)	Qun Yi Tape (Dongguan) Co., Ltd. Chyun Yih Tape Co., Ltd.
6	Secondary Outer Wrap	Polyester Film Tape (E81174(S))	0.025mm(2T)	Qun Yi Tape (Dongguan) Co., Ltd. Chyun Yih Tape Co., Ltd.
7	Core	Silicon Steel	0.5mm	Shenzhen Chunyuan Steel Industrial Co., Ltd.
8	Enclosure	Noryl SE100X(E161723)		Sabic Innovative Plastics China Co Ltd
9	Nameplate	Plastic Film	0.2mm	Guang Ming You Tong Printing Factory
10	Output Cord	Flexible Cord	AWG#24	Huan Wei Enterprise Co., Ltd. Ming Sheng Enterprise Co., Ltd.
11	Rectifier Board	P.C.B.(E105119)	94V-0	Chih Hsien Enterprise Co., Ltd.
12	Diodes	1N4001---5		Master Instrument Corporation Shanghai Ltd.
13	Capacitor	1000uf/20V		Fuh Yin Electronics Co., Ltd.

APP.BY _____ CHK.BY _____ PRE.BY _____

10.0: SAMPLE TEST DATA:						
ITEM	SPEC	SAMPLE				
		1	2	3	4	5
PRIMARY EXCITING CURRENT I/P: 120VAC 60Hz	70mA MAX.	28				
PRIMARY LOAD CURRENT I/P: 120VAC 60Hz	130mA MAX.	94				
SECONDARY VOLTAGE NO LOAD	18VDC±5%	18.07				
SECONDARY VOLTAGE LOAD: DC 500mA	12VDC±5%	11.98				
HI-POT TEST	INPUT TO OUTPUT 60 SECONDS	AC1240V 1mA	OK			

APP.BY _____ CHK.BY _____ PRE.BY _____

11.0 NAMEPLATE DRAWING: (UNIT:mm)



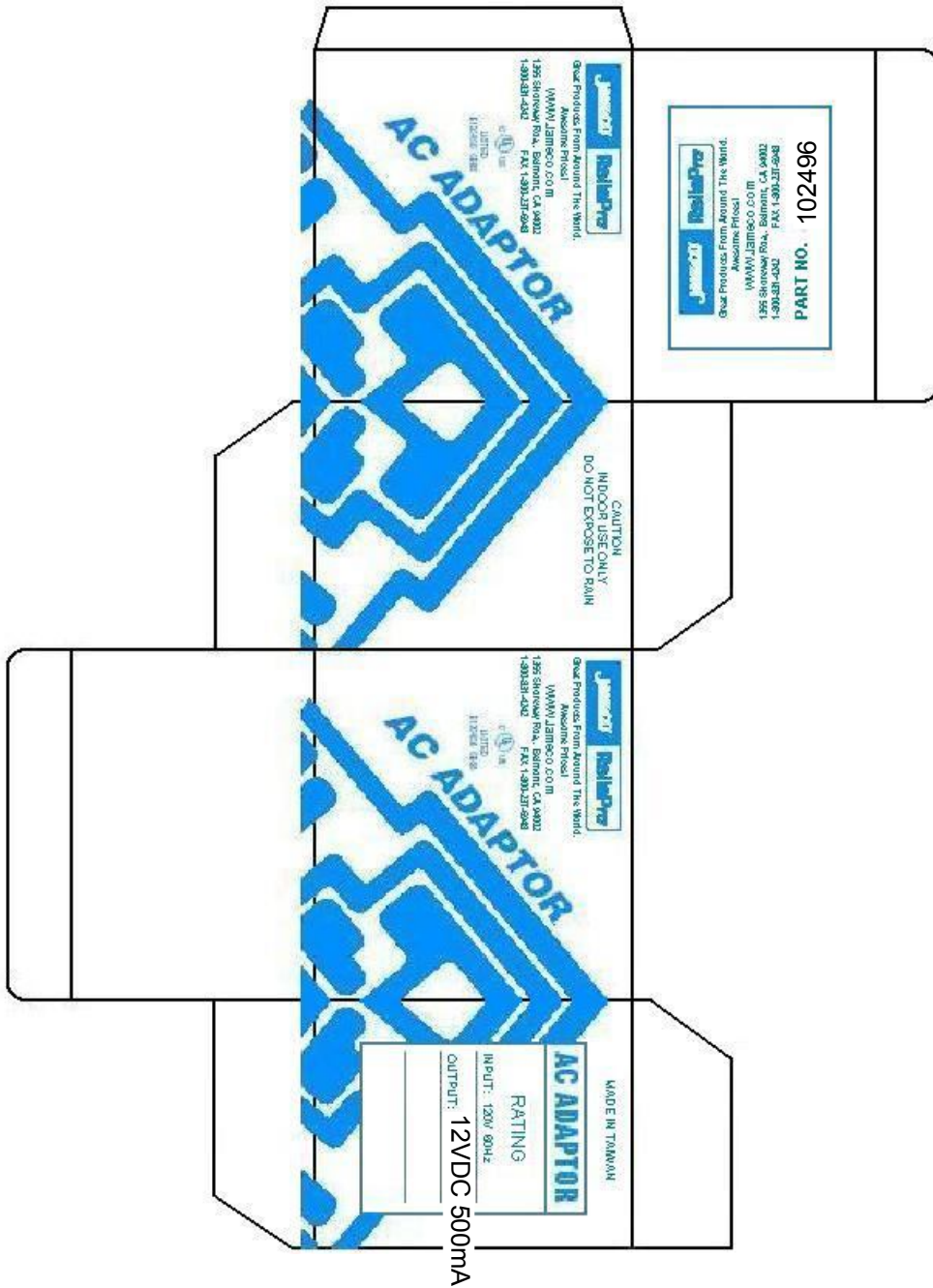
1.MATERIAL:Plastic Film

2.THICKNESS:0.2

3.PRINTING:WORD & :BLACK / BACKGROUND: SILVER

APP.BY _____ CHK.BY _____ PRE.BY _____

12.0 BOX DIMENSION: (UNIT:mm)



NOTE:

- 1. DIMENSION:83x58x78
- 2. WEIGH:400 POUNDS
- 3. PRINTING:WORD & PATTERN:BLUE / BACKGROUND: WHITE
COLOR NO.:PMS300

APP.BY _____ CHK.BY _____ PRE.BY _____