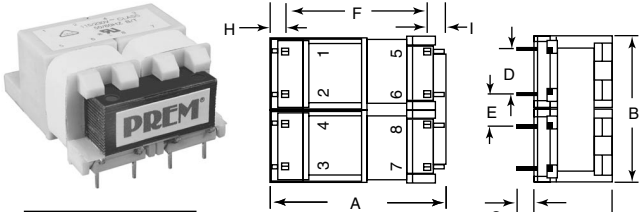


International Series-Low Profile PC

Prem Magnetics, Inc. • 3521 North Chapel Hill Road • McHenry, IL 60050 • Tel: 815-385-2700 • Fax: 815-385-8578 • E-Mail: sales@premmag.com • Website: http://www.premmag.com



**SPW-2100
6.0 VA**

**SPW-2100
BOTTOM VIEW**

PIN DIMENSION
.025" SQ. (.635)

Note: Primary and secondary windings are designed to be used as one primary and one secondary winding with either parallel or series connection only.

• Indicates like polarity
() = mm

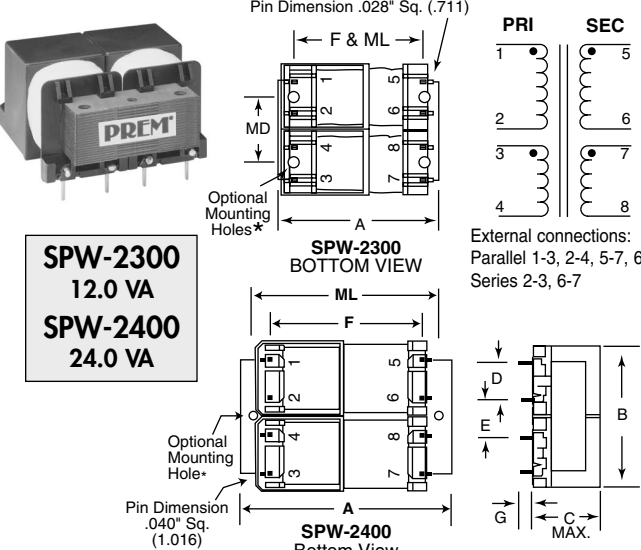
External connections:
Parallel 1-3, 2-4, 5-7, 6-8
Series 2-3, 6-7

HIPOT rating: 4500 VRMS from primaries to secondaries

UL #1950, #1585 (Class II, III), #1446
CSA #22.2 No. 234M90
IEC #950
VDE #0805 (EN 60950)

PRI SEC

1 5
2 6
3 7
4 8



**SPW-2300
12.0 VA**
**SPW-2400
24.0 VA**

**SPW-2300
BOTTOM VIEW**

Pin Dimension .028" Sq. (.711)

**SPW-2400
Bottom View**

Pin Dimension .040" Sq. (1.016)

Note: Primary and secondary windings are designed to be used as one primary and one secondary winding with either parallel or series connection only.

* Refer to Technical Bulletin #214 • Indicates like polarity
HIPOT rating: 4500 VRMS from primaries to secondaries.

Safety Agency Approvals SPW-2300

UL #1950, #1585 (Class II, III), #1446
IEC #950
VDE #0805 (EN 60950)

Safety Agency Approvals SPW-2400

UL #1950, #1585 (Class II, III), #1446
CSA #22.2 No. 234M90
IEC #950
VDE #0805 (EN 60950)

() = mm

PRI SEC

1 5
2 6
3 7
4 8

PREM	SPW-2100	SPW-2300	SPW-2400
VA	6.0	12.0	24.0
A	1.950" (49.53)	2.500" (63.50)	2.870" (72.90)
B	1.562" (39.69)	2.000" (50.80)	2.250" (57.15)
C	.890" (22.61)	1.065" (27.05)	1.300" (33.02)
D	.375" (9.53)	.500" (12.70)	0.600" (15.24)
E	.375" (9.53)	.500" (12.70)	0.530" (13.46)
F	1.600" (40.64)	2.00" (50.80)	1.900" (48.26)
G	.200" (5.08)	.200" (5.08)	0.200" (5.08)
H	.210" (5.33)	•	•
I	.140" (3.56)	•	•
MD	•	1.000" (25.4)	•
ML	•	2.000" (50.80)	2.410" (61.21)
Screw Size	•	#4	#4

() = mm

Fuse Types/Values Used to Gain Safety Agency Component Recognition(s)				
SPW-Part	2100-2111	2300-2311	2401-2411 ¹	
Circuit Location	Primary	Primary	Primary ¹	
Fuse P/N	115Vin	218.100	218.200	218.400 ¹
	230Vin	218.050	218.100	218.200 ¹
Fuse Mfr	L ²	L ²	L ²	

Notes:¹- SPW-2400 Req's Sec. Fusing - Contact Factory; ²- Littlefuse, Inc.; Des Plaines, IL

VA	PART NUMBERS		
	115V/230 Dual Primaries	Secondary	
	PARALLEL	SERIES	
6.0	SPW-2100	5V @ 1.2A	10V CT @ 600 mA
	SPW-2101	6.3V @ 900 mA	12.6V CT @ 450 mA
	SPW-2102	8V @ 700 mA	16V CT @ 350 mA
	SPW-2103	10V @ 600 mA	20V CT @ 300 mA
	SPW-2104	12V @ 500 mA	24V CT @ 250 mA
	SPW-2105	17V @ 340 mA	34V CT @ 170 mA
	SPW-2106	20V @ 300 mA	40 V CT @ 150 mA
	SPW-2107	28V @ 200 mA	56V CT @ 100 mA
	SPW-2108*	44V @ 130 mA	88V CT @ 65 mA
	SPW-2109*	60V @ 100 mA	120V CT @ 50 mA
	SPW-2110*	115V @ 50 mA	230V CT @ 25 mA
12.0	SPW-2111	15V @ 400 mA	30V CT @ 200 mA
	SPW-2300	5V @ 2.4A	10V CT @ 1.2A
	SPW-2301	6.3V @ 1.8A	12.6V CT @ 900 mA
	SPW-2302	8V @ 1.4A	16V CT @ 700 mA
	SPW-2303	10V @ 1.2A	20V CT @ 600 mA
	SPW-2304	12V @ 1.0A	24V CT @ 500 mA
	SPW-2305	17V @ 680 mA	34V CT @ 340 mA
	SPW-2306	20V @ 600 mA	40V CT @ 300 mA
	SPW-2307	28V @ 400 mA	56V CT @ 200 mA
	SPW-2308*	44V @ 260 mA	88V CT @ 130 mA
	SPW-2309*	60V @ 200 mA	120V CT @ 100 mA
24.0	SPW-2310*	115V @ 100 mA	230V CT @ 50 mA
	SPW-2311	15V @ 800 mA	30V CT @ 400 mA
	SPW-2400	5V @ 4.80A	10V CT @ 2.4 A
	SPW-2401	6.3V @ 3.80A	12.6V CT @ 1.9A
	SPW-2402	8V @ 3.0A	16V CT @ 1.5A
	SPW-2403	10V @ 2.4A	20V CT @ 1.2A
	SPW-2404	12V @ 2.0A	24V CT @ 1.0A
	SPW-2405	17V @ 1.40A	34V CT @ 700 mA
	SPW-2406	20V @ 1.2A	40V CT @ 600 mA
	SPW-2407	28V @ 850 mA	56V CT @ 425 mA
	SPW-2408*	44V @ 540 mA	88V CT @ 270 mA
SPW-2409*	60V @ 400 mA	120V CT @ 200 mA	
SPW-2410*	115V @ 200 mA	230V CT @ 100 mA	
SPW-2411	15V @ 1.6 A	30V CT @ 800 mA	

*Voltage ratings cannot be approved under UL 1585