

5

4

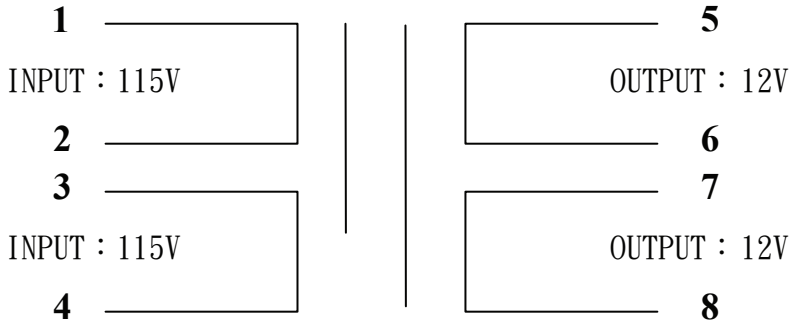
3

2

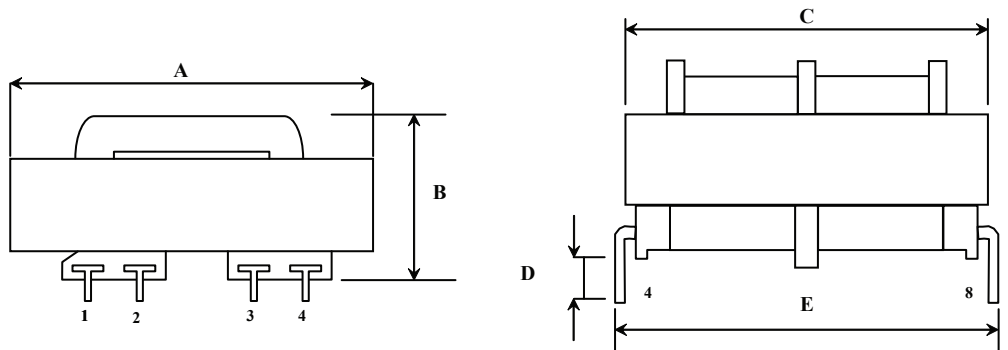
1

Date	Rev.	Description

Description :



Dimension :



Electrical :

- (1) Voltage INPUT : 115V 115V 60Hz
 OUTPUT : 0-12V 0-12V 1A
- (2) HI-POT : PRI-SEC 1500V AV
 PRI-CORE 1500V AV
 SEC-CORE 1500V AV
- (3) Insulation : DC500V BY 100Mohms
- (4) Temperature:75°C max, at 25°C Testing around 4 hours

A : 48mm max B : 38mm max C : 40 mm max D : 5.0mm max E : 35 mm max

DCC. NO.
A4 DRAWING NO.

MATERIAL		GOLDSUN ELECTRONICS CO., LTD.	
		JAMECO NO. 102593	GOLDSUN NO. QC4812-R
DRAWN: Colin		DESCRIPTION TRANS, SPT-BOB, S24VCT/5A P12V/1A, 115V/230VAC	
VERIFY PEOPLE: Alvin Lin		Rev. 1	
UNIT: mm	SCALE: 1 : 1	SHEET 1 OF 1	CAS No: ERN No: