

Distributed by:

JAMECO[®]
ELECTRONICS

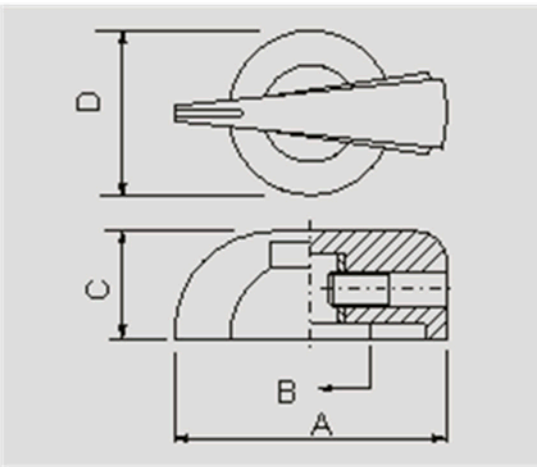
www.Jameco.com ♦ 1-800-831-4242

The content and copyrights of the attached
material are the property of its owner.

Jameco Part Number 102788

Date	Rev.	Description

PN-1B



A	B	C	D	SHAFT HOTE
31.5	∅ 14.0	12.8	∅ 19.0	∅ 6.4

FEATURES:

- Material : Phenolic.
- With white indicator line.
- Set screw on one side.
- With brass insert.

DCC. NO.
A4 DRAWING NO.

MATERIAL		GOLDSUN ELECTRONICS CO., LTD.			
		JAMECO NO.	GOLDSUN NO.		
		102788	JK903C-R		
DRAWN: Kiki Chen		Description			Rev.
VERIFY PEOPLE: Wendy Chen, Fanny Du		CONTROL KNOBS FOR 6.4mm			1
UNIT:	SCALE:	SHEET 1 OF 1	CAS No:		
mm			ERN No:		