

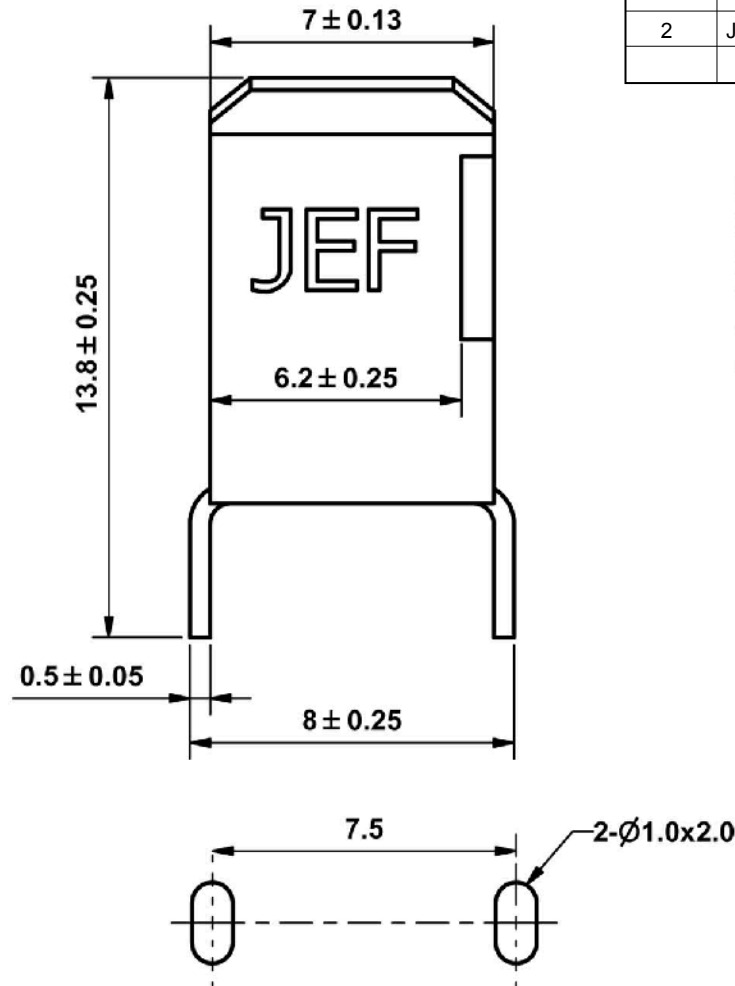
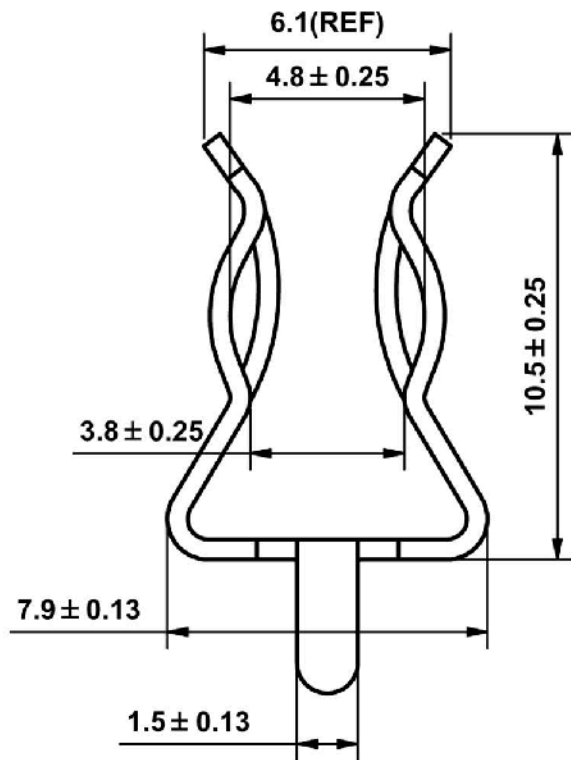
Distributed by:

**JAMECO**<sup>®</sup>  
ELECTRONICS

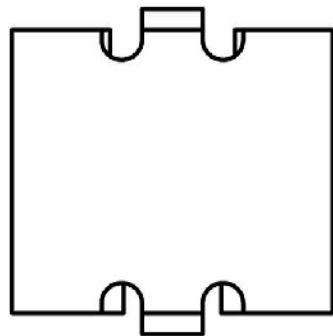
**www.Jameco.com ♦ 1-800-831-4242**

The content and copyrights of the attached  
material are the property of its owner.

Jameco Part Number 102842



MOUNTING HOLES



| Item | Part NO. | Description |
|------|----------|-------------|
| 1    | JEF-505  | Bronze      |
| 2    | JEF-505S | Phosphor Br |

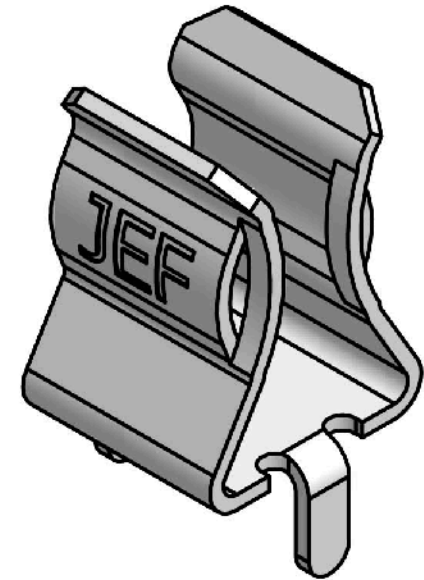
FUSE CLIP P.C.BOARD TYPE FOR  
6.35mm DIAMETER FUSE

SPECIFICATIONS:

\*Electrical:Rating for currents up to 15A

\*Thickness:0.5mm

\*Finish:bright Tin-plated



|                |
|----------------|
| DCC. NO.       |
| A4 DRAWING NO. |

|                                    |  |                                      |             |              |         |
|------------------------------------|--|--------------------------------------|-------------|--------------|---------|
| MATERIAL                           |  | <b>GOLDSUN ELECTRONICS CO., LTD.</b> |             |              |         |
|                                    |  | JAMECO NO.                           | GOLDSUN NO. |              |         |
|                                    |  | <b>102842</b>                        | AA06030302  |              |         |
| DRWN: Kiki Chen                    |  | Description                          |             | PC FUSE CLIP | Rev. 1  |
| VERIFY PEOPLE: Ada Zheng , Ivy Lan |  | UNIT:                                | SCALE:      | SHEET 1 OF 1 | CAS No: |
|                                    |  | mm                                   |             |              | ERN No: |