

Distributed by:

**JAMECO**<sup>®</sup>  
ELECTRONICS

**www.Jameco.com ♦ 1-800-831-4242**

The content and copyrights of the attached  
material are the property of its owner.

Jameco Part Number 103406

## MATERIALS

1. CONTACT: BRASS
2. INSULATOR: PBT (UL 94V-0)
3. CONTACT PLATING: GOLD OVER NICKEL

## SPECIFICATION

1. INSULATOR RESISTANCE: 5000M ohms Min
2. CURRENT RATING: 3 Amps
3. DIELECTRIC WITHSTANDING VOLTAGE: AC 500V
4. OPERATING TEMPERATURE: -45°C TO +105°C

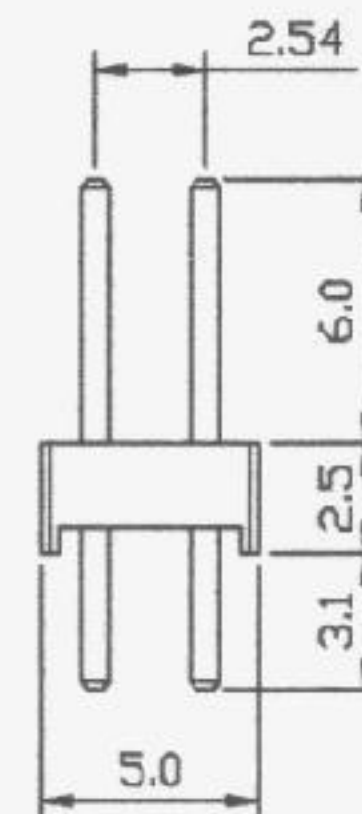
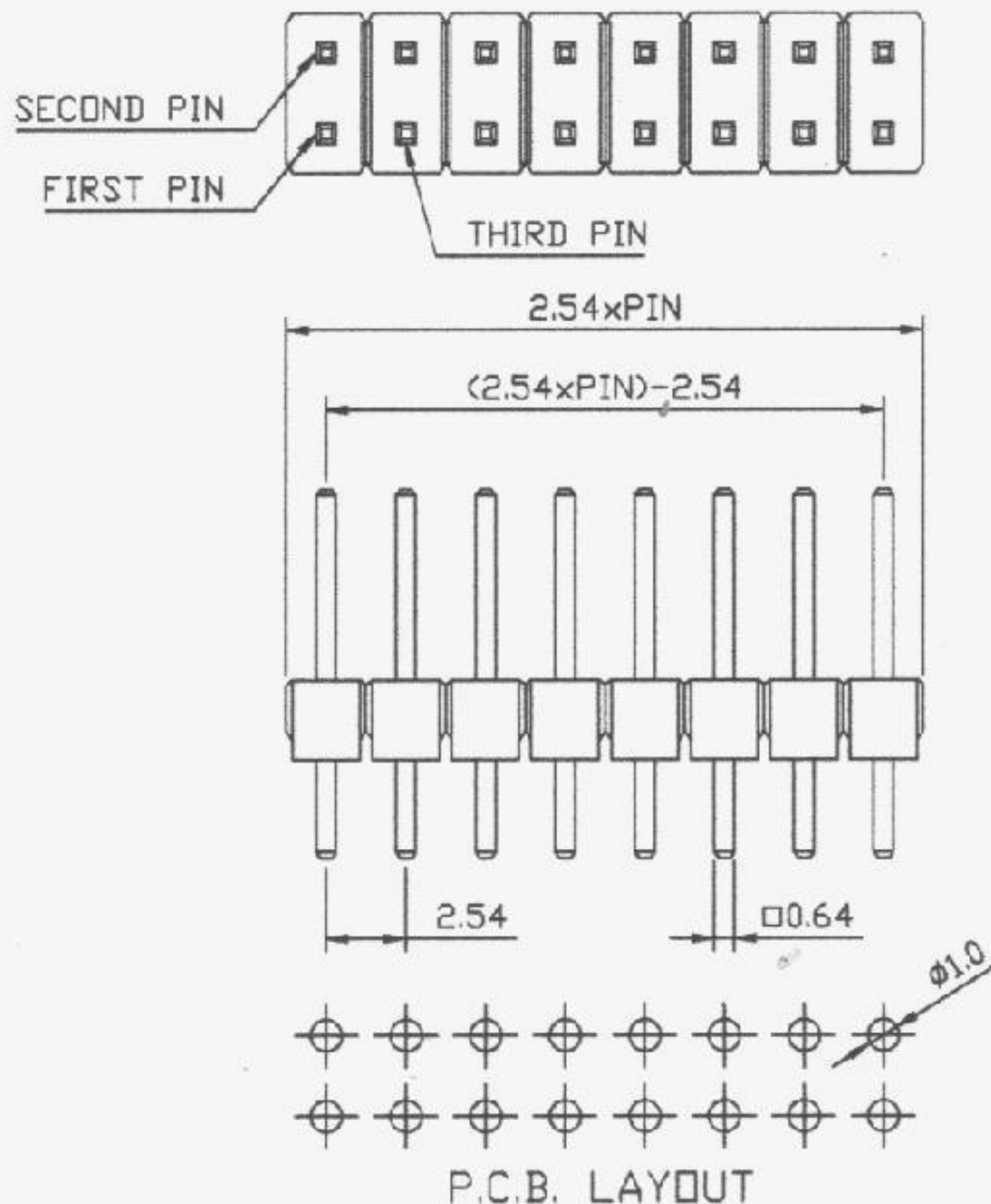
Old Series number : 7000-2xXX-SG

Part Number :

2012-254-2xXX-SG

XX : number of contacts

ROHS



TOP WILLING

TITLE	PIN HEADER PITCH=2.54mm STRAIGHT 雙排	SCALE		APP.	LISA	GENERAL TOLERANCE UNLESS SPECIFIED	
		SHEET	1 OF 1	CHK.	JACKY	LINEAR	0.0±0.30
DWG.NO.	P3-01IXXX116S1BG	UNIT	MM	DR.	DAVID	ANGLES	0.00±0.20
							±1°



REV