

Distributed by:

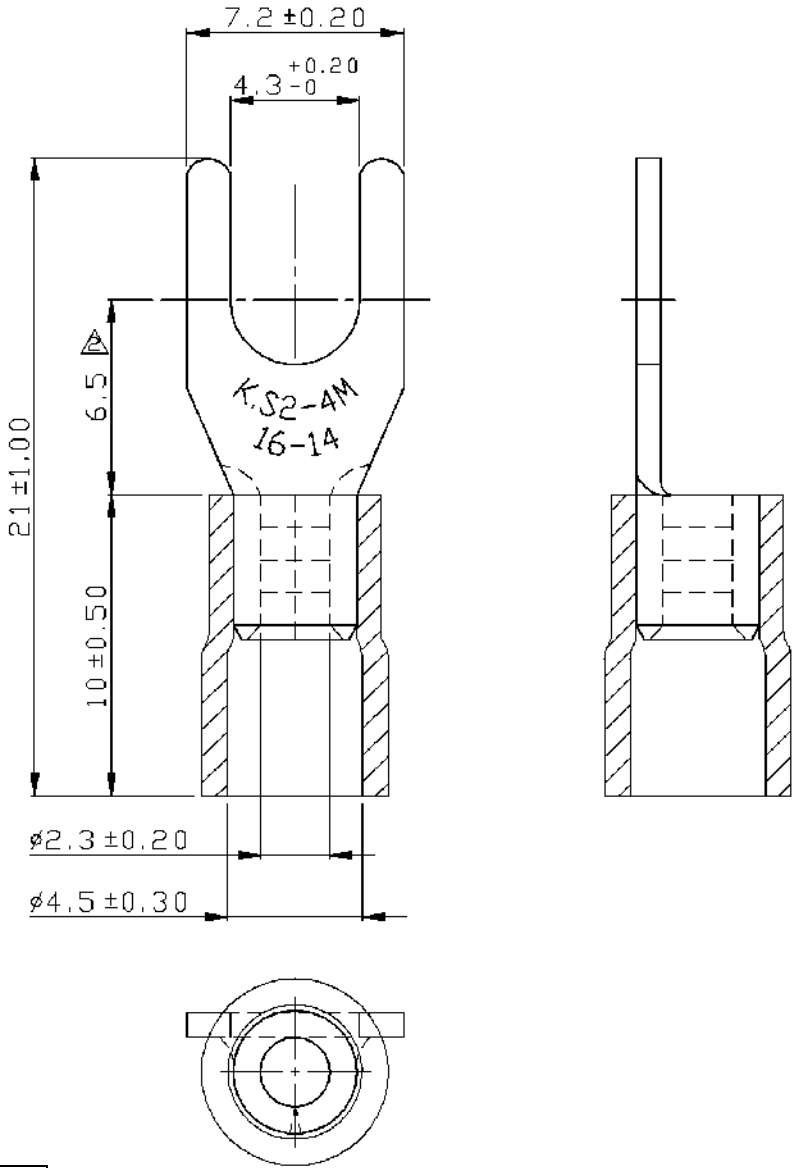
**JAMECO**<sup>®</sup>  
ELECTRONICS

**www.Jameco.com ♦ 1-800-831-4242**

The content and copyrights of the attached  
material are the property of its owner.

Jameco Part Number 103596

Date	Rev.	Description



NOTE :

1. MAXIMUM ELECTRIC CURRENT : 

A.W.G.	16	14
AMP.	18	30
2. MAXIMUM ELECTRICAL RATING :  $\triangle$  105°C 600 VOLTS MAX.
3. INSULATION MATERIAL : VINYL
4. INSULATION COLOR : BLUE
5. TERMINAL MATERIAL : COPPER
6. WIRE RANGE : 16-14 A.W.G. ( 1.5-2.5 mm<sup>2</sup> )
7. TERMINAL SURFACE TREATMENT : TIN PLATED
8. TERMINAL THICKNESS : 0.80 mm

DCC. NO.  
A4 DRAWING NO.

MATERIAL		<b>GOLDSUN ELECTRONICS CO., LTD.</b>	
JAMECO NO. <b>103596</b>		GOLDSUN NO. SVM2-4	
DRAWN: Kiki Chen		Description SOLDERLESS TERMINALS	
VERIFY PEOPLE: Ada Zheng , Ivy Lan		UNIT: mm	SCALE: SHEET 1 OF 1
		CAS No: ERN No:	Rev. 1