

Distributed by:

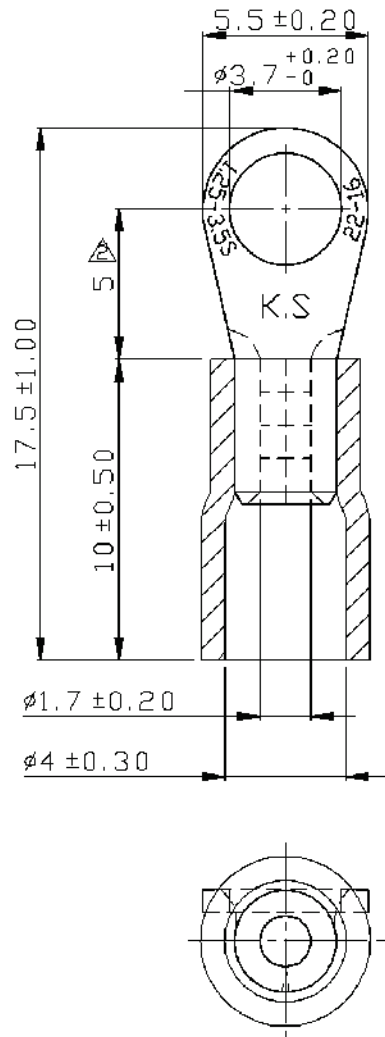
JAMECO[®]
ELECTRONICS

www.Jameco.com ♦ 1-800-831-4242

The content and copyrights of the attached
material are the property of its owner.

Jameco Part Number 103684

Date	Rev.	Description



Tolerance Unless Otherwise Specified	
0 >	mm ± ANGLE
>	mm ± ° REF ±
>	mm ± ° ±
>	mm ± ° ±

- NOTE :
1. MAXIMUM ELECTRIC CURRENT :

A.W.G.	22	20	18	16
AMP.	9	12	17	18
 2. MAXIMUM ELECTRICAL RATING : \triangle 105°C 600 VOLTS MAX.
 3. INSULATION MATERIAL : VINYL
 4. INSULATION COLOR : RED
 5. TERMINAL MATERIAL : COPPER
 6. WIRE RANGE : 22-16 A.W.G. (0.5-1.5 mm²)
 7. TERMINAL SURFACE TREATMENT : TIN PLATED
 8. TERMINAL THICKNESS : 0.75 mm

DCC. NO.
A4 DRAWING NO.

MATERIAL		GOLDSUN ELECTRONICS CO., LTD.	
DRAWN: Kiki Chen		JAMECO NO. 103684	GOLDSUN NO. RVS1-3.7
VERIFY PEOPLE: Ada Zheng , Ivy Lan		Description SOLDERLESS TERMINALS	
UNIT: mm	SCALE:	SHEET 1 OF 1	Rev. 1
		CAS No:	ERN No: