

Distributed by:

JAMECO[®]
ELECTRONICS

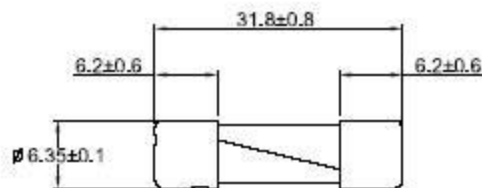
www.Jameco.com ♦ 1-800-831-4242

The content and copyrights of the attached
material are the property of its owner.

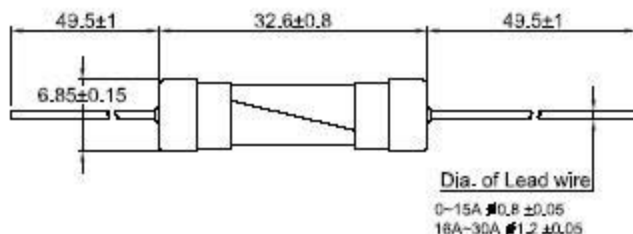
Jameco Part Number 10373

Dimensions in mm

MFA



MFA-PA



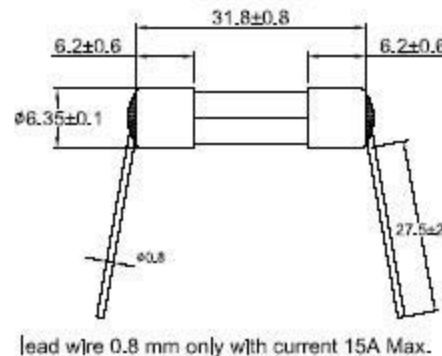
* PS:12A~25A 32V approvals
30A 32V approvals

Test Specification according to standard
UL 248-1,14

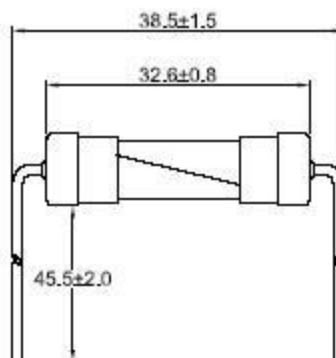
Electrical Characteristic

Rated Current	1.0In	1.35In	2.0In
In	Min.	Max.	Max.
100mA-30A	4 h	3600 s	120 s

MFA-P



MFA-PR



Rated Current	Breaking capacity	Rated Voltage	MFA-P/PR/PA		
100mA	@125V/AC 10KA @250V/AC 35A	125V/250V			
125mA		125V/250V			
150mA		125V/250V			
200mA		125V/250V			
250mA		125V/250V			
300mA		125V/250V			
315mA		125V/250V			
400mA		125V/250V			
500mA		125V/250V			
600mA		125V/250V			
800mA		125V/250V			
1A		125V/250V			
1.25A		125V/250V			
1.5A		125V/250V			
1.8A		125V/250V			
2A	@125V/AC 10KA @250V/AC 100A	125V/250V			
2.5A	125V/250V				
3A	125V/250V				
3.15A	125V/250V				
3.5A	125V/250V				
4A	125V/250V				
5A	125V/250V				
5A	@125V/AC 10KA @250V/AC 200A	125V/250V			
5.3A	125V/250V				
7A	125V/250V				
8A	125V/250V				
10A	125V/250V				
* 12A	@32V/AC 1000A	32V			
* 13A		32V			
* 15A		32V			
* 16A		32V			
* 20A		32V			
* 25A		32V			
* 30A	32V				

UNLESS OTHERWISE SPECIFIED DIMENSIONS ARE IN MM TOLERANCE DECIMALS ANGULAR X ± 0.5 ± 2° XX ± 0.35 DO NOT SCALE DRAWING	CUSTOMER NO.	TITLE Miniature Cartridge Fuse6.35x32mm
	DRAWN BY JANE	
	CHECKED BY	
	APPROVED BY	
P/N MFA63ax.xxx	DATE 2008.06.16	PART NO. MFA MFA- P/PA /PR
REV A	SCALE	DRAWING NO. AA05062109