

Distributed by:

JAMECO[®]
ELECTRONICS

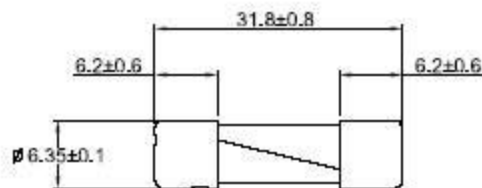
www.Jameco.com ♦ 1-800-831-4242

The content and copyrights of the attached
material are the property of its owner.

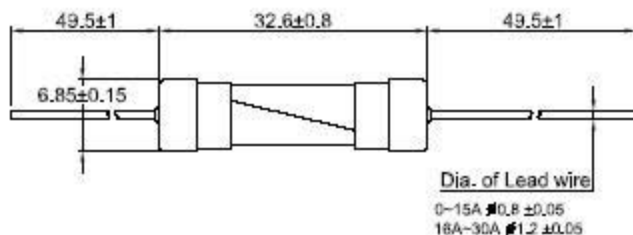
Jameco Part Number 10382

Dimensions in mm

MFA



MFA-PA



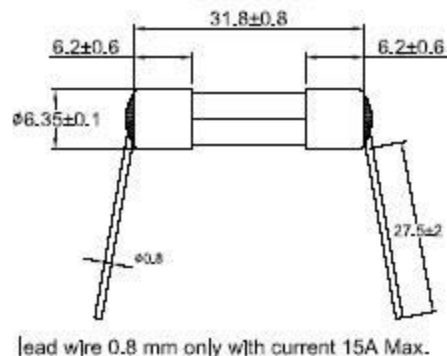
* PS:12A~25A 32V approvals
30A 32V approvals

Test Specification according to standard
UL 248-1,14

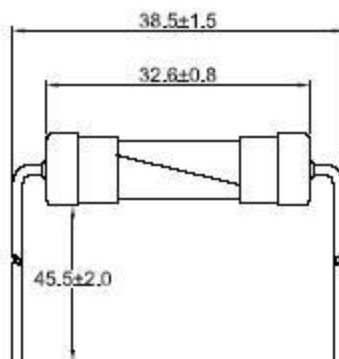
Electrical Characteristic

Rated Current	1.0In	1.35In	2.0In
In	Min.	Max.	Max.
100mA-30A	4 h	3600 s	120 s

MFA-P



MFA-PR



Rated Current	Breaking capacity	Rated Voltage	MFA-P/PR/PA		
100mA	@125V/AC 10KA @250V/AC 35A	125V/250V			
125mA		125V/250V			
150mA		125V/250V			
200mA		125V/250V			
250mA		125V/250V			
300mA		125V/250V			
315mA		125V/250V			
400mA		125V/250V			
500mA		125V/250V			
600mA		125V/250V			
800mA		125V/250V			
1A		125V/250V			
1.25A	@125V/AC 10KA @250V/AC 100A	125V/250V			
1.5A		125V/250V			
1.8A		125V/250V			
2A		125V/250V			
2.5A		125V/250V			
3A		125V/250V			
3.15A		125V/250V			
3.5A		125V/250V			
4A		125V/250V			
5A		125V/250V			
5A		125V/250V			
5.3A		125V/250V			
7A	125V/250V				
8A	125V/250V				
10A	125V/250V				
* 12A	@32V/AC 1000A	32V			
* 13A		32V			
* 15A		32V			
* 16A		32V			
* 20A		32V			
* 25A		32V			
* 30A	32V				

<small>UNLESS OTHERWISE SPECIFIED DIMENSIONS ARE IN MM TOLERANCE</small> <small>DECIMALS ANGULAR</small> <small>X ± 0.5 ± 2°</small> <small>XX ± 0.35</small> <small>DO NOT SCALE DRAWING</small>	CUSTOMER NO.	<small>TITLE</small> Miniature Cartridge Fuse6.35x32mm <small>PART NO.</small> MFA MFA- P/PA /PR <small>DRAWING NO.</small> AA05062109
	DRAWN BY JANE	
	CHECKED BY	
	APPROVED BY	
<small>P/N</small> MFA63ax.XXX <small>REV</small> A	<small>DATE</small> 2008.06.16 <small>SCALE</small>	