

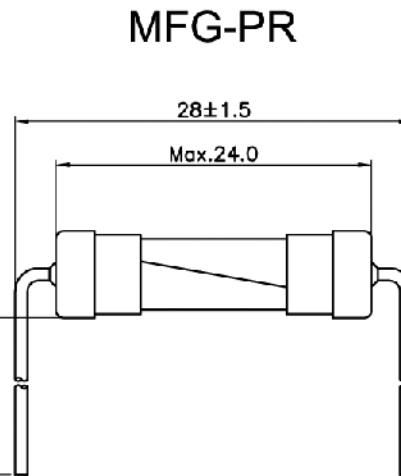
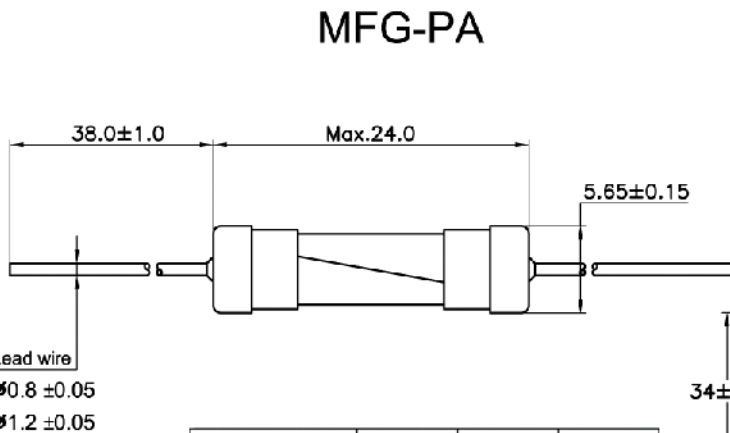
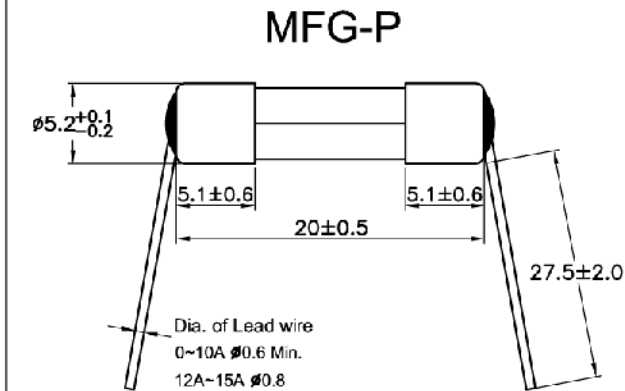
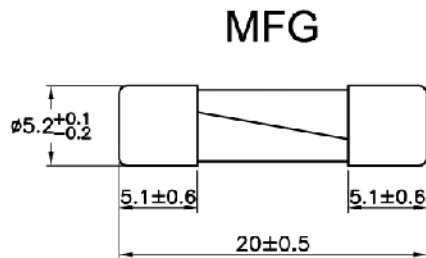
Distributed by:

**JAMECO**<sup>®</sup>  
ELECTRONICS

**www.Jameco.com ♦ 1-800-831-4242**

The content and copyrights of the attached  
material are the property of its owner.

Jameco Part Number 103887



Rated Current	1.0 In	1.35 In	2 In
In	Min.	Max.	Max.
100mA-30A	4 h	3600 S	120 S

UNLESS OTHERWISE SPECIFIED  
DIMENSIONS ARE IN MM  
TOLERANCE  
DECIMALS    ANGULAR  
X ± 0.5       ± 2°  
XX ± 0.25  
DO NOT SCALE DRAWING

Rated Current	Breaking capacity	Rated Voltage	MFG52/P-PA-PR			
100mA	@125V/AC 10KA @250V/AC 35A	125V/250V				
125mA		125V/250V				
160mA		125V/250V				
200mA		125V/250V				
250mA		125V/250V				
300mA		125V/250V				
315mA		125V/250V				
400mA		125V/250V				
500mA		125V/250V				
600mA		125V/250V				
630mA		125V/250V				
700mA		125V/250V				
800mA		125V/250V				
1A		125V/250V				
1.25A		@125V/AC 10KA @250V/AC 100A	125V/250V			
1.5A	125V/250V					
1.6A	125V/250V					
2A	125V/250V					
2.5A	125V/250V					
3A	125V/250V					
3.15A	125V/250V					
3.5A	125V/250V					
4A	@125V/AC 10KA @250V/AC 200A		125V/250V			
5A			125V/250V			
6A		125V/250V				
8.3A		125V/250V				
7A		125V/250V				
8A	125V/250V					
* 10A	125V/250V					
12A	@32V/AC 1000A	32V				
13A		32V				
15A		32V				
16A		32V				
20A		32V				
25A		32V				
30A		32V				

DCC. NO.  
A4 DRAWING NO.

MATERIAL	<b>GOLDSUN ELECTRONICS CO., LTD.</b>		
JAMECO NO.	<b>103887</b>	GOLDSUN NO.	MFG52
DRAWN: Kiki Chen	Description		Rev. 1
VERIFY PEOPLE: Ada Zheng , Ivy Lan	FUSE FAST ACTING		
UNIT: mm	SCALE:	SHEET 1 OF 1	CAS No: ERN No: