

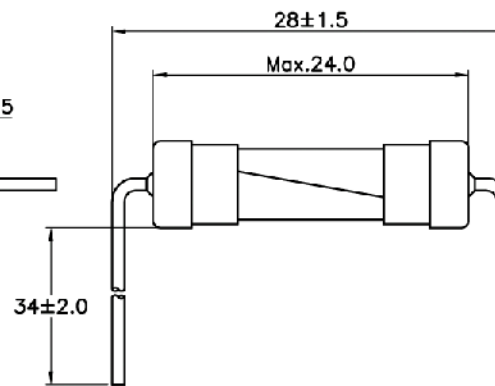
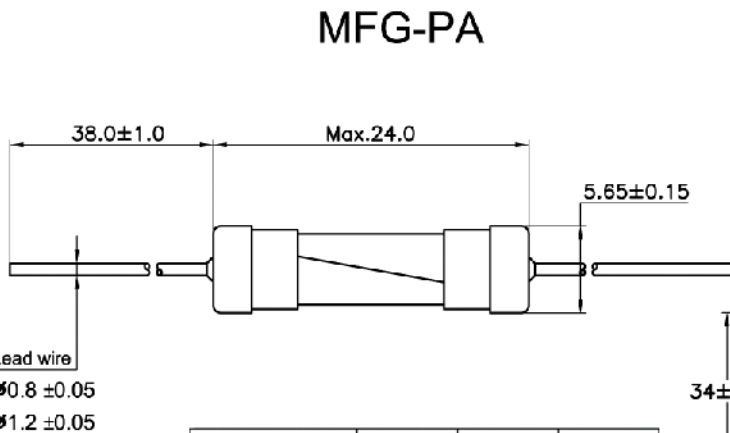
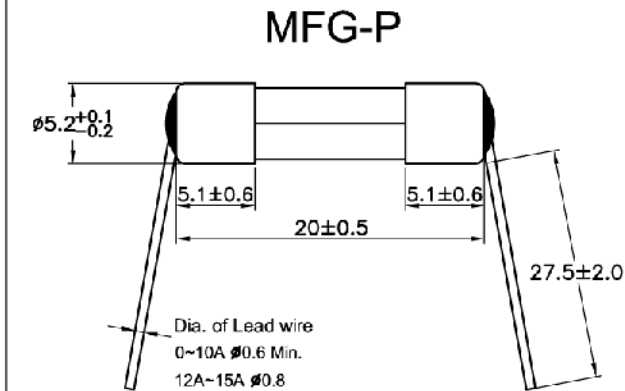
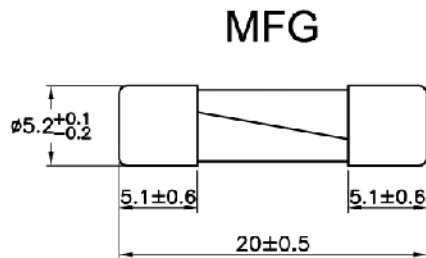
Distributed by:

JAMECO[®]
ELECTRONICS

www.Jameco.com ♦ 1-800-831-4242

The content and copyrights of the attached
material are the property of its owner.

Jameco Part Number 103916



| Rated Current | 1.0 In | 1.35 In | 2 In |
|---------------|--------|---------|-------|
| In | Min. | Max. | Max. |
| 100mA-30A | 4 h | 3600 S | 120 S |

UNLESS OTHERWISE SPECIFIED
DIMENSIONS ARE IN MM
TOLERANCE
DECIMALS ANGULAR
X ± 0.5 ± 2°
XX ± 0.25
DO NOT SCALE DRAWING

| Rated Current | Breaking capacity | Rated Voltage | MFG52/P-PA-PR | | |
|---------------|--------------------------------------|---------------|---------------|--|--|
| | | | | | |
| 100mA | @125V/AC 10KA @250V/AC 35A | 125V/250V | | | |
| 125mA | | 125V/250V | | | |
| 160mA | | 125V/250V | | | |
| 200mA | | 125V/250V | | | |
| 250mA | | 125V/250V | | | |
| 300mA | | 125V/250V | | | |
| 315mA | | 125V/250V | | | |
| 400mA | | 125V/250V | | | |
| 500mA | | 125V/250V | | | |
| 600mA | | 125V/250V | | | |
| 630mA | | 125V/250V | | | |
| 700mA | | 125V/250V | | | |
| 800mA | | 125V/250V | | | |
| 1A | | 125V/250V | | | |
| 1.25A | | 125V/250V | | | |
| 1.5A | | 125V/250V | | | |
| 1.6A | 125V/250V | | | | |
| 2A | @125V/AC 10KA @250V/AC 100A | 125V/250V | | | |
| 2.5A | 125V/250V | | | | |
| 3A | 125V/250V | | | | |
| 3.15A | 125V/250V | | | | |
| 3.5A | 125V/250V | | | | |
| 4A | 125V/250V | | | | |
| 5A | @125V/AC 10KA @250V/AC 200A | 125V/250V | | | |
| 6A | 125V/250V | | | | |
| 6.3A | 125V/250V | | | | |
| 7A | 125V/250V | | | | |
| 8A | 125V/250V | | | | |
| * 10A | 125V/250V | | | | |
| 12A | @32V/AC 1000A | 32V | | | |
| 13A | | 32V | | | |
| 15A | | 32V | | | |
| 16A | | 32V | | | |
| 20A | | 32V | | | |
| 25A | | 32V | | | |
| 30A | | 32V | | | |

DCC. NO.
A4 DRAWING NO.

| | | | |
|------------------------------------|--------------------------------------|--------------|--------------------|
| MATERIAL | GOLDSUN ELECTRONICS CO., LTD. | | |
| JAMECO NO. | 103916 | GOLDSUN NO. | MFG52 |
| DRAWN: Kiki Chen | Description | | Rev. |
| VERIFY PEOPLE: Ada Zheng , Ivy Lan | FUSE FAST ACTING | | 1 |
| UNIT: mm | SCALE: | SHEET 1 OF 1 | CAS No: ERN No: |