

Distributed by:

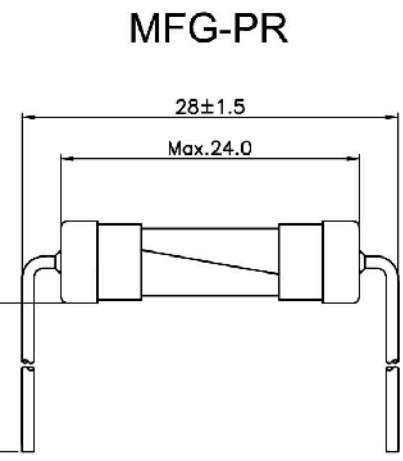
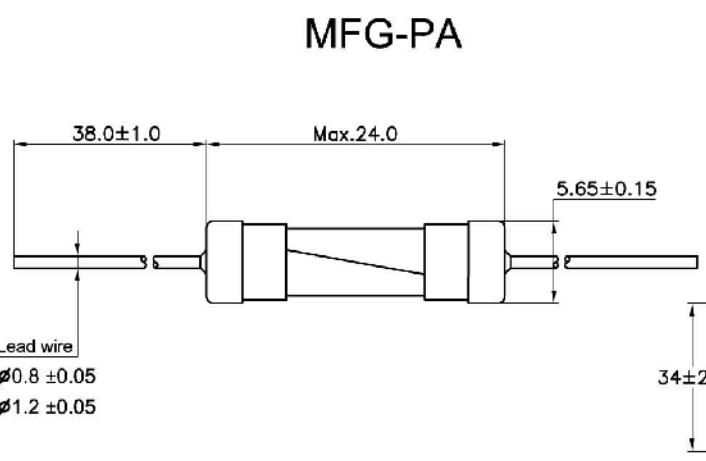
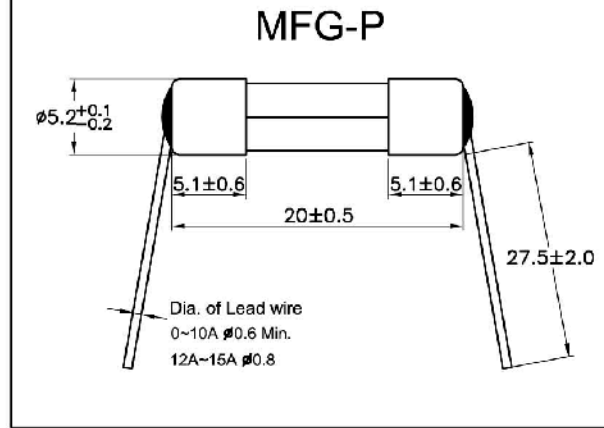
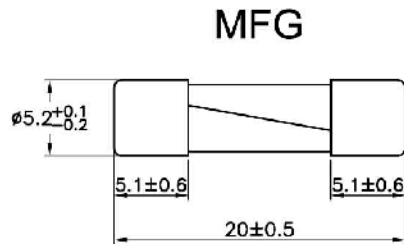
JAMECO[®]
ELECTRONICS

www.Jameco.com ♦ 1-800-831-4242

The content and copyrights of the attached
material are the property of its owner.

Jameco Part Number 103924

Dimensions in mm



Rated Current	Breaking capacity	Rated Voltage	MFG52/P-PA-PR		
			UL	CS	NET
100mA	@125V/AC 10KA @250V/AC 35A	125V/250V	○	○	
125mA		125V/250V	○	○	
160mA		125V/250V	○	○	
200mA		125V/250V	○	○	
250mA		125V/250V	○	○	
300mA		125V/250V	○	○	
315mA		125V/250V	○	○	
400mA		125V/250V	○	○	
500mA		125V/250V	○	○	
600mA		125V/250V	○	○	
630mA		125V/250V	○	○	
700mA		125V/250V	○	○	
800mA		125V/250V	○	○	
1A		125V/250V	○	○	○
1.25A		125V/250V	○	○	○
1.5A		125V/250V	○	○	○
1.6A	125V/250V	○	○	○	
2A	@125V/AC 10KA @250V/AC 100A	125V/250V	○	○	○
2.5A	125V/250V	○	○	○	
3A	125V/250V	○	○	○	
3.15A	125V/250V	○	○	○	
3.5A	125V/250V	○	○	○	
4A	125V/250V	○	○	○	
5A	@125V/AC 10KA @250V/AC 200A	125V/250V	○	○	○
6A	125V/250V	○	○	○	
6.3A	125V/250V	○	○	○	
7A	125V/250V	○	○	○	
8A	125V/250V	○	○	○	
* 10A	125V/250V	○	○	○	
12A	@32V/AC 1000A	32V			
13A		32V			
15A		32V			
16A		32V			
20A		32V			
25A		32V			
30A		32V			

Test Specification according to Standard UL 248-1,14

Electrical Characteristic

* PS:10A (UL) (CS) Approvals only 125V

DCC. NO.	Rated Current	1.0 In	1.35 In	2 In
		In	Min.	Max.
A4 DRAWING NO.	100mA-30A	4 h	3600 S	120 S

MATERIAL		GOLDSUN ELECTRONICS CO., LTD.			
JAMECO NO. 103924		GOLDSUN NO. AA05062101			
DRWN: Kiki Chen		Description FUSE FAST		Rev. 1	
VERIFY PEOPLE: Ada Zheng , Ivy Lan		UNIT: mm	SCALE:	SHEET 1 OF 1	CAS No: ERN No: