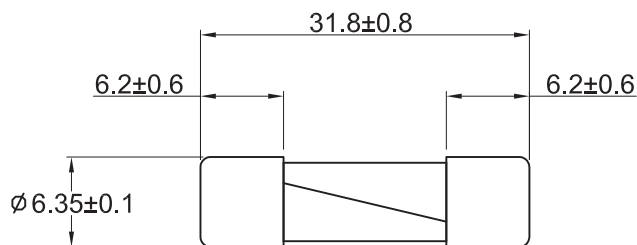
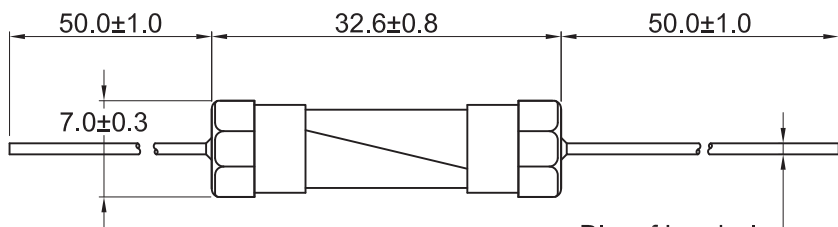


Dimensions in mm

MFA



MFA-PA



Dia. of Lead wire

0~15A $\phi 0.8 \pm 0.05$
16A~30A $\phi 1.2 \pm 0.05$

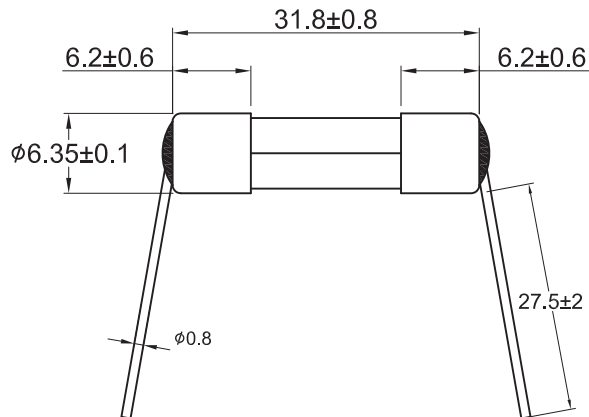
* PS:12A~25A 32V approvals 30A 32V approvals

Test Specification according to standard
UL 248-1,14

Electrical Characteristic

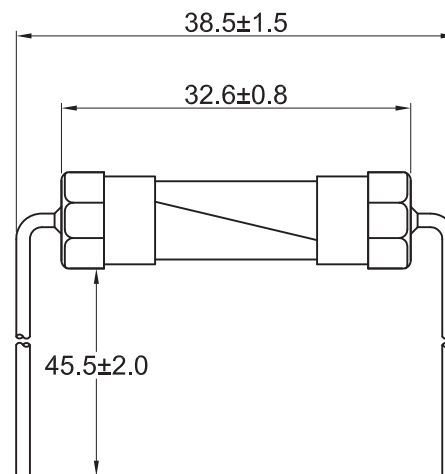
Rated Current	1.0In	1.35In	2.0In
In	Min.	Max.	Max.
100mA-30A	4 h	3600 s	120 s

MFA-P



lead wire 0.8 mm only with current 15A Max.

MFA-PR



Rated Current	Breaking capacity	Rated Voltage	MFA-P/PR/PA			
100mA	@125V/AC 10KA @250V/AC 35A	125V/250V				
125mA		125V/250V				
160mA		125V/250V				
200mA		125V/250V				
250mA		125V/250V				
300mA		125V/250V				
315mA		125V/250V				
400mA		125V/250V				
500mA		125V/250V				
600mA		125V/250V				
630mA		125V/250V				
700mA		125V/250V				
800mA		125V/250V				
1A		125V/250V				
1.25A	@125V/AC 10KA @250V/AC 100A	125V/250V				
1.5A		125V/250V				
1.6A		125V/250V				
2A		125V/250V				
2.5A		125V/250V				
3A		125V/250V				
3.15A		125V/250V				
3.5A		125V/250V				
4A		@125V/AC 10KA @250V/AC 200A	125V/250V			
5A			125V/250V			
6A	125V/250V					
6.3A	125V/250V					
7A	125V/250V					
8A	125V/250V					
10A	125V/250V					
* 12A	@32V/AC 1000A		32V			
* 13A			32V			
* 15A			32V			
* 16A		32V				
* 20A		32V				
* 25A		32V				
* 30A		32V				

GOLDSUN ELECTRONICS CO., LTD.

JAMECO NO. 10410	GOLDSUN NO. MFA63A0.500
Description FAST ACTING FUSES 500mA 250V 1 1/4"x1/4" (6.35x32mm)	
UNIT: mm	SCALE: SHEET 1 OF 1
CAS No: ERN No:	Rev. 1