

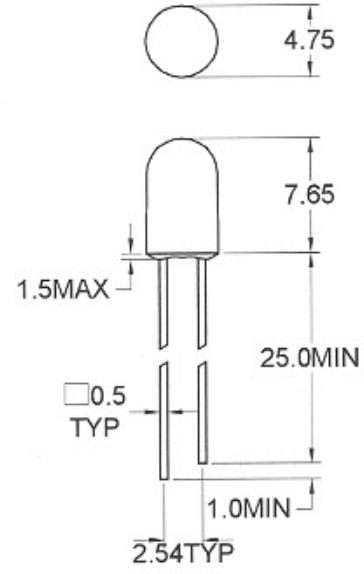
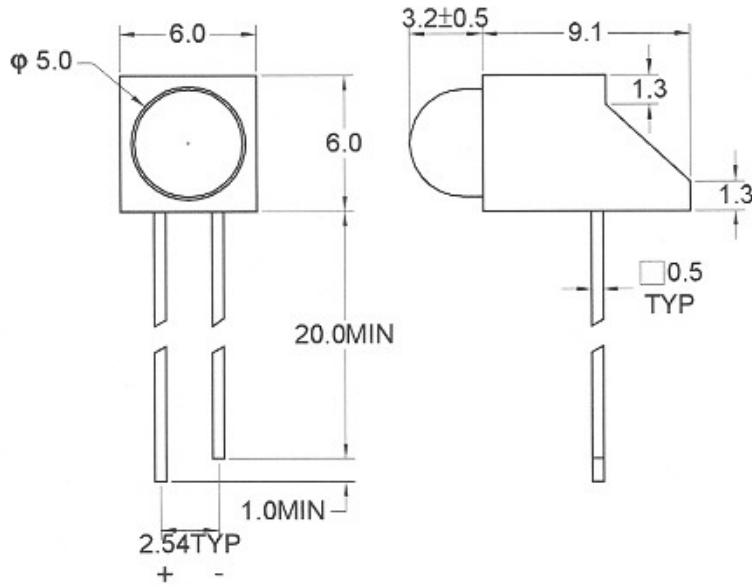


LIGITEK

LA93B/X-1 SERIES

ARRAY WITH LED LAMP

Package Dimension



LX3130

Note : 1.All dimension are in millimeter tolerance is $\pm 0.25\text{mm}$ unless otherwise noted
 2.Specifications are subject to change without notice

• Part Selection And Application Information (Ratings At 25°C Ambient)

PART NO	MATERIAL	COLOR		Peak wave length λ_{Pnm}	Spectral halfwidth $\Delta \lambda$ nm	Forward voltage @20mA(V)		Luminous intensity @10mA(mcd)		Viewing angle 2θ 1/2 (deg)
		Emitted	Lens			Min.	Max.	Min.	Typ.	
LA93B/R-1	GaAsP	Red	Red Diffused	655	40	1.5	2.0	1.2	2.5	46
LA93B/H-1	GaP	Red	Red Diffused	697	90	1.7	2.6	4.5	6.5	46
LA93B/G-1	GaP	Green	Green Diffused	565	30	1.7	2.6	20	30	46
LA93B/Y-1	GaAsP/GaP	Yellow	Yellow Diffused	585	35	1.7	2.6	20	30	46
LA93B/I-1	GaAsP/GaP	Orange	Red Diffused	635	45	1.7	2.6	12	25	46

• Absolute Maximum Rating (Ta=25°C)

PARAMETER	RED		GREEN		YELLOW		ORANGE		UNIT	REMARK
	R	H	G		Y		I			
Forward Current	40	15	30		20		30		mA	
Peak Forward Current Duty 1/10 @ 10KHz	130	60	120		80		120		mA	
Power Dissipation	120	40	100		60		100		mW	
Reverse Current @5V	10		10		10		10		μ A	
Operating Temperature	-40°C TO +85°C									
Storage Temperature	-40°C TO +100°C									

Lead Soldering Temperature 260 °C For 5 Seconds (2.0mm From Body)