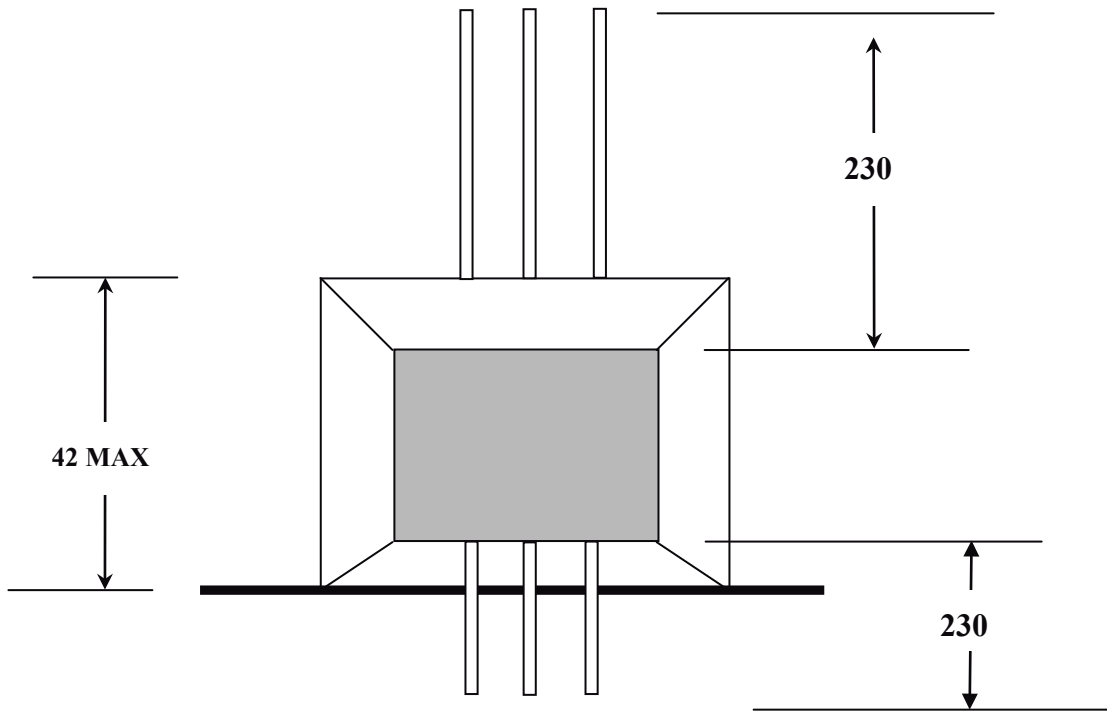
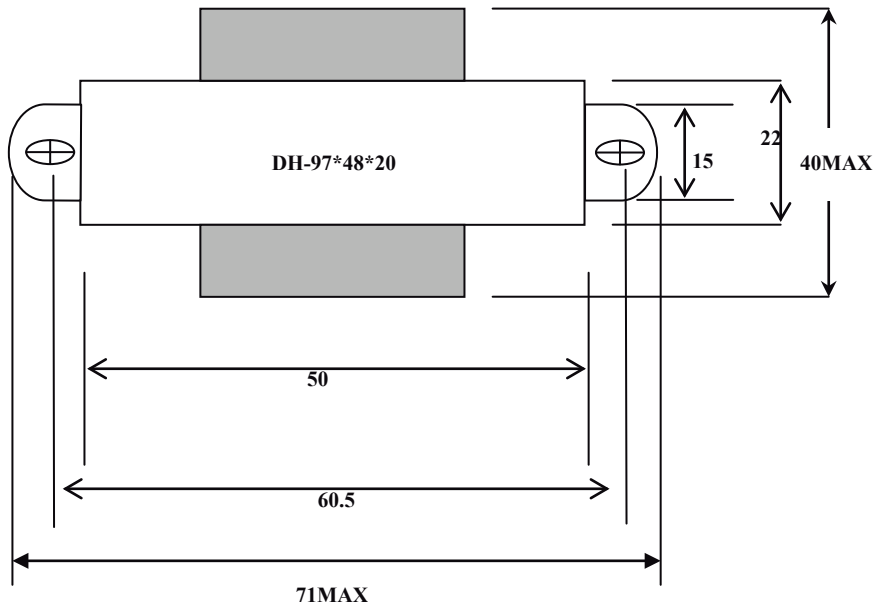


MATERIAL LIST :

1	BOBBIN		NYLON	E41938 (M)
2	SILICON		H 50	N/A
				N/A
				N/A
3	WIRE		2UEW 130°C	E84201
				E :
				E :
4	TAPE			E17385
5	PAPER		0.25 mm	E :
6	PVC		1015*20AGW	E203895
7	PVC		1015*20AGW	
8	L 脚			
9				

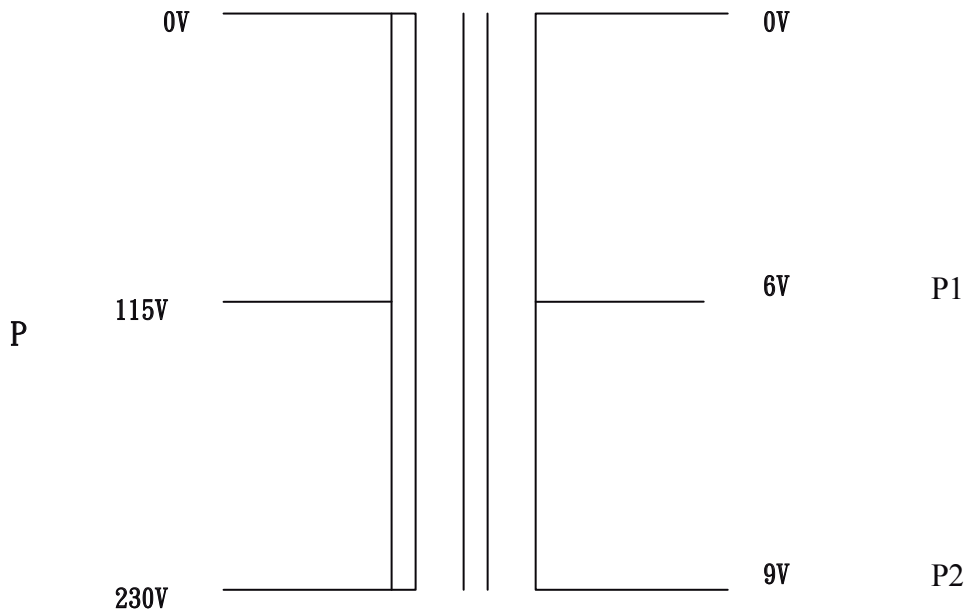
**GOLDSUN ELECTRONICS CO., LTD.**

JAMECO NO.	105524	GOLDSUN NO.	E14820-91-ROHS
Description	Power Transformer 9W 9vct@1A 115/230VAC Wire Leads		Rev. 1
UNIT: mm	SCALE:	SHEET 1 OF 1	CAS No: ERN No:



**GOLDSUN ELECTRONICS CO., LTD.**

JAMECO NO. <b>105524</b>		GOLDSUN NO. <b>EI4820-91-ROHS</b>	
Description Power Transformer 9W 9vct@1A 115/230VAC Wire Leads			Rev. <b>1</b>
UNIT: mm	SCALE:	SHEET 1 OF 1	CAS No: ERN No:



1. TYPE: Single Phase Power Transformer
2. Output capacity: 9 VA
3. Primary Voltage: 115V 230V
4. Secondary Voltage: P1 : 6 V      P2 : 9 V
5. Secondary current: P1 : 1 A      P2 : 1 A
6. Frequency:            50/60Hz
7. Time frame: continuous
8. Insulation resistance: DC500V 100MΩ以上
9. Insulation endurance: AC1500V 1min 50Hz P-S

10. Temperature Below 70deg
12. Voltage mobility rate: Below 10%
13. Voltage deviation: within ±5%
14. RoHS

<b>GOLDSUN ELECTRONICS CO., LTD.</b>			
JAMECO NO.		GOLDSUN NO.	
105524		EI4820-91-ROHS	
Description Power Transformer 9W 9vct@1A 115/230VAC Wire Leads			Rev. 1
UNIT: mm	SCALE:	SHEET 1 OF 1	CAS No: ERN No: