



LIGITEK

Jameco Part Number 107393 (LE3330)

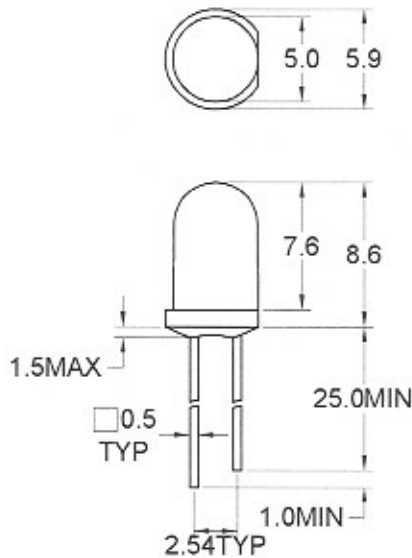
JAMECO
ValuePro
✓Awesome Prices
✓Consistent Quality
✓Professional Grade
✓Backed by Jameco

ROUND TYPE LED LAMPS

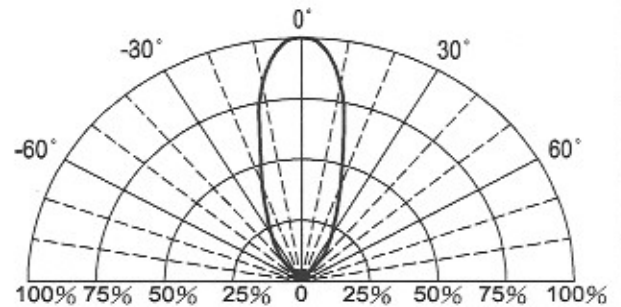
LX3330

SERIES

Package Dimension



Directivity Radiation



Note:1.All dimension are in millimeter tolerance is $\pm 0.25\text{mm}$ unless otherwise noted
2.Specifications are subject to change without notice

• Part Selection And Application Information (Ratings At 25°C Ambient)

| PART NO | MATERIAL | COLOR | | Peak wave length λ Pnm | Spectral halfwidth $\Delta \lambda$ nm | Forward voltage @20mA(v) | | Luminous intensity @10mA(mcd) | | Viewing angle 2θ 1/2 (deg) |
|---------|-----------|---------|-----------------|--------------------------------|--|--------------------------|------|-------------------------------|------|-----------------------------------|
| | | Emitted | Lens | | | Min. | Max. | Min. | Typ. | |
| LR3330 | GaAsP | Red | Red Diffused | 655 | 40 | 1.5 | 2.0 | 0.8 | 1.5 | 36 |
| LH3330 | GaP | Red | Red Diffused | 697 | 90 | 1.7 | 2.6 | 3.0 | 4.5 | 36 |
| LG3330 | GaP | Green | Green Diffused | 565 | 30 | 1.7 | 2.6 | 20 | 30 | 36 |
| LSG3330 | GaP | Green | Green Diffused | 560 | 30 | 1.7 | 2.6 | 12 | 22 | 36 |
| LY3330 | GaAsP/GaP | Yellow | Yellow Diffused | 585 | 35 | 1.7 | 2.6 | 20 | 30 | 36 |
| LE3330 | GaAsP/GaP | Orange | Orange Diffused | 635 | 45 | 1.7 | 2.6 | 12 | 24 | 36 |
| LSE3330 | GaAsP/GaP | Orange | Orange Diffused | 610 | 45 | 1.7 | 2.6 | 8.0 | 18 | 36 |
| LI3330 | GaAsP/GaP | Orange | Red Diffused | 635 | 45 | 1.7 | 2.6 | 12 | 24 | 36 |
| LA3330 | GaAsP/GaP | Yellow | Orange Diffused | 600 | 35 | 1.7 | 2.6 | 20 | 30 | 36 |

• Absolute Maximun Rating (Ta=25°C)

| PARAMETER | RED | | GREEN | | ORANGE | | | YELLOW | | UNIT | REMARK |
|--------------------------------------|-----------------|----|-------|-----|--------|-----|-----|--------|----|---------|--------|
| | R | H | SG | G | SE | E | I | A | Y | | |
| Forward Current | 30 | 15 | 30 | 30 | 20 | 30 | 30 | 20 | 20 | mA | |
| Peak Forward Current Duty 1/10@10KHz | 130 | 60 | 120 | 120 | 80 | 120 | 120 | 80 | 80 | mA | |
| Power Dissipation | 120 | 40 | 100 | 80 | 100 | 60 | | | | mW | |
| Reverse Current @5v | 10 | 10 | 10 | 10 | 10 | 10 | | | | μ A | |
| Operating Temperature | -40°C TO +85°C | | | | | | | | | | |
| Storage Temperature | -40°C TO +100°C | | | | | | | | | | |

Lead Soldering Temperature 260°C For 5 Seconds(2.0mm From Body)

文件編號: QW0905-LX3330

版本: F

生效日期: 07 - Aug - 2002