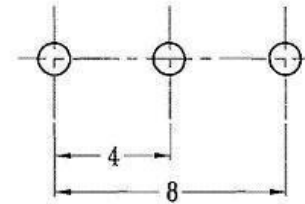
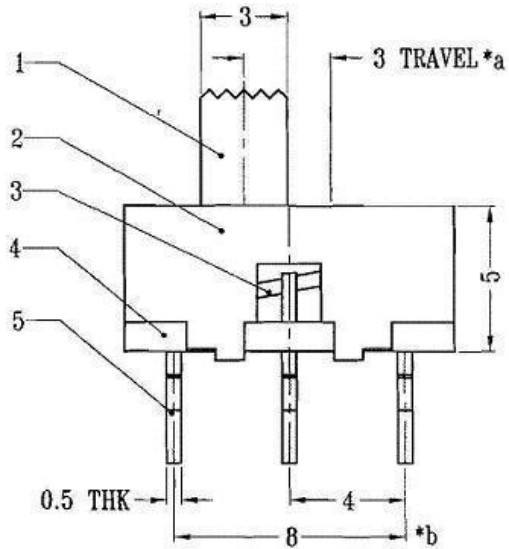


SCHEMATIC (NON-SHORTING)



P.C.B LAYOUT

TOLERANCE UNLESS SPECIFIED	
WITHIN 1.5mm :	±0.1mm
OVER 1.5mm :	±0.2mm

NO.	PARTS	MATERIALS	Q'TY	FINISH
6	SPRING	STEEL WIRE	1	NATURAL
5	TERMINAL	BRASS STRIP	3	Ag PLATED OVER Ni PLATED
4	BASE	PHENOLIC RESIN	1	YELLOW
3	CONTACT	BRASS STRIP	1	Ag PLATED OVER Ni PLATED
2	FRAME	STEEL STRIP	1	BLACK
1	KNOB	POM	1	BLACK

MATERIAL		GOLDSUN ELECTRONICS CO., LTD.		
DRAWN: Colin		JAMECO NO. 109171	GOLDSUN NO. BSL-SS12F56-G4	
VERIFY PEOPLE:		Description SLIDE SWITCH SPDT ON-ON PCB MOUNTING 4MM LEAD SPACE		Rev. 1
UNIT: mm	SCALE:	SHEET 1 OF 1	CAS No: ERN No:	