

Distributed by:

JAMECO[®]
ELECTRONICS

www.Jameco.com ♦ 1-800-831-4242

The content and copyrights of the attached
material are the property of its owner.

Jameco Part Number 109517

MATERIALS

1. CONTACT: BRASS
2. INSULATOR: PBT (UL 94V-0)
3. CONTACT PLATING: GOLD OVER NICKEL

SPECIFICATION

1. INSULATOR RESISTANCE: 5000M ohms Min
2. CURRENT RATING: 3 Amps
3. DIELECTRIC WITHSTANDING VOLTAGE: AC 500V
4. OPERATING TEMPERATURE: -45°C TO +105°C

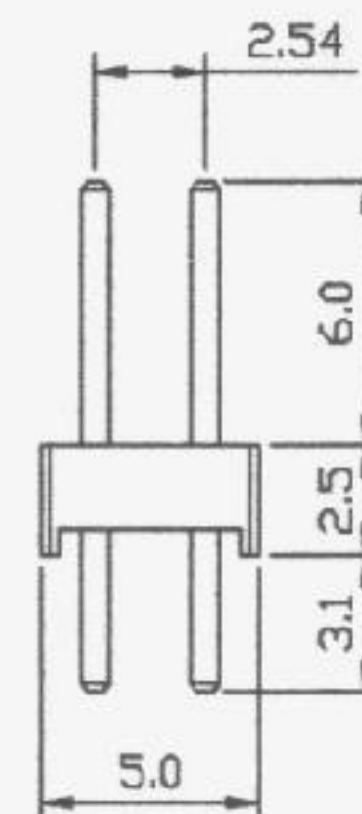
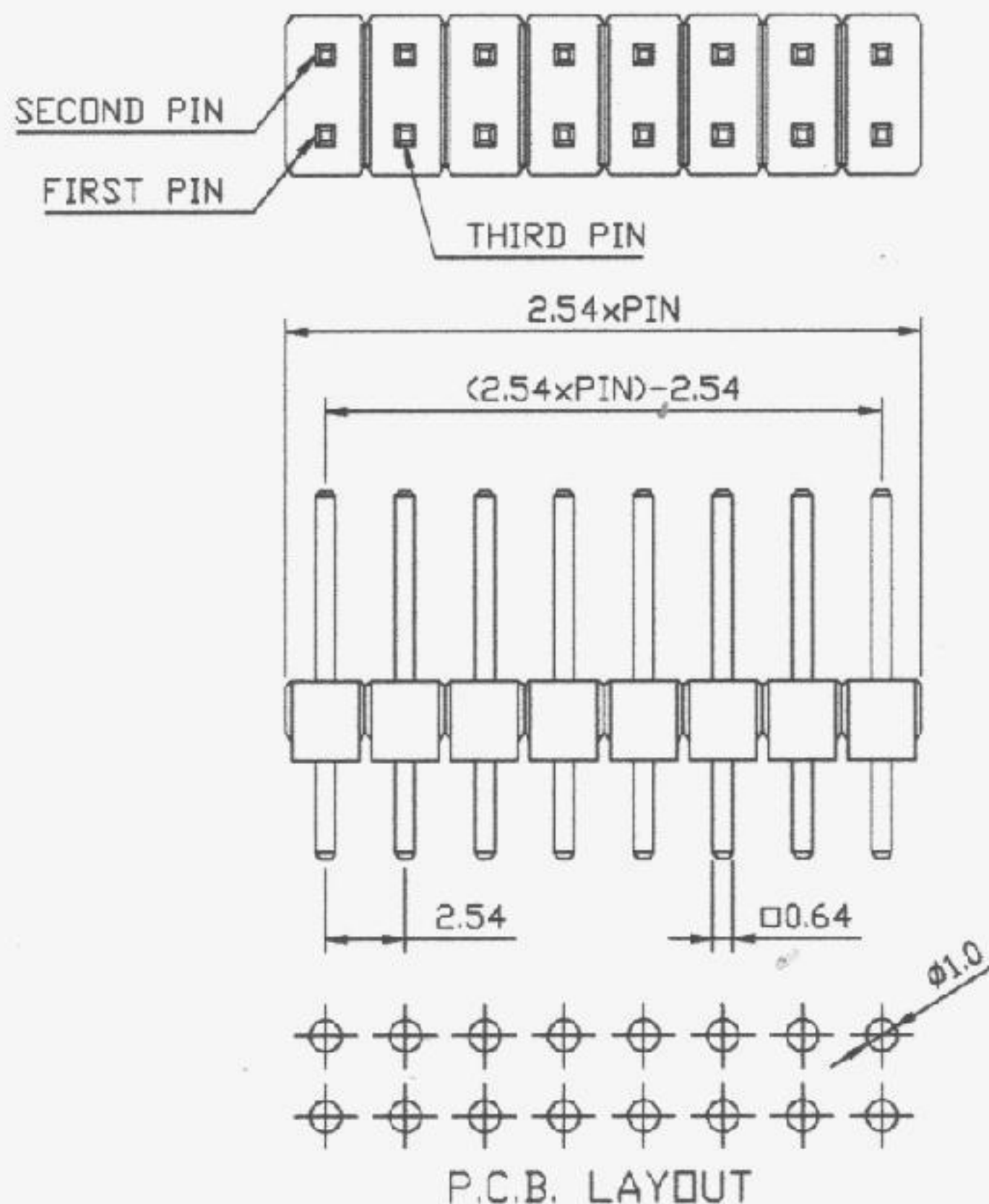
Old Series number : 7000-2xXX-SG

Part Number :

2012-254-2xXX-SG

XX : number of contacts

ROHS



TOP WILLING

| TITLE | PIN HEADER PITCH=2.54mm STRAIGHT 雙排 | SCALE | APP. | GENERAL TOLERANCE UNLESS SPECIFIED | | | |
|---------|--|-------|--------|------------------------------------|-------|-----------|----------|
| | | SHEET | 1 OF 1 | CHK. | JACKY | LINEAR | 0.0±0.30 |
| DWG.NO. | P3-01IXXX116S1BG | UNIT | MM | DR. | DAVID | 0.00±0.20 | |
| | | | | | | ANGLES | ±1° |



REV