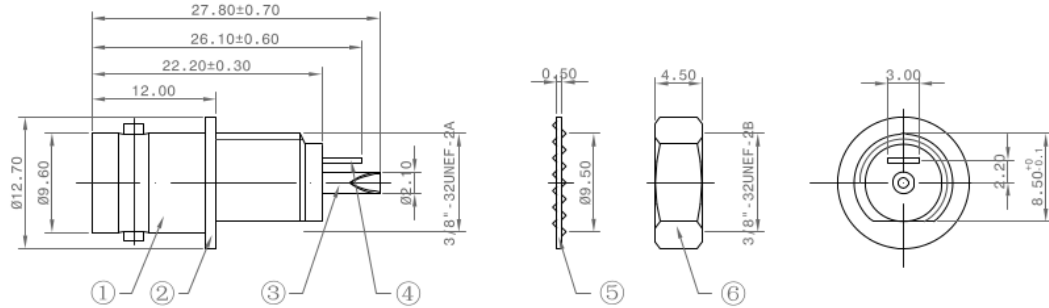




Chongdan Wang
 DN
 cn=Chongdan
 Wang c=<<
 email=cwang@s
 teren.on
 2012.11.14
 13:45:29 +08'00'



Materials Specifications

No	Qty	Desc	Material	Notes
1	1	BODY		NICKEL PLATED
2	1	HOUSING		
3	1	CENTER CONTACT		GOLD PLATED
4	1	GROUNDING CONTACT		NICKEL PLATED
5	1	WASHER		NICKEL PLATED
6	1	NUT		NICKEL PLATED

Product Family

Item
200-148

SCALE 2:1 UNITS mm
 Copyright© 2004 Steren Electronics International, LLC All Right Reserved



Steren Electronics International, LLC

BNC Jack Isolated Panel Mount

200-148 ED 2012-11-13 SHEET NO 1/2