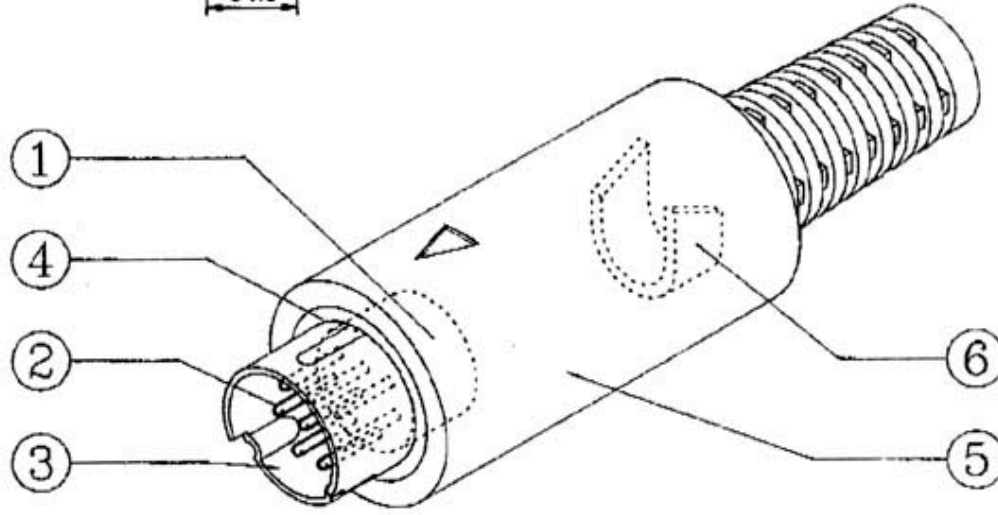
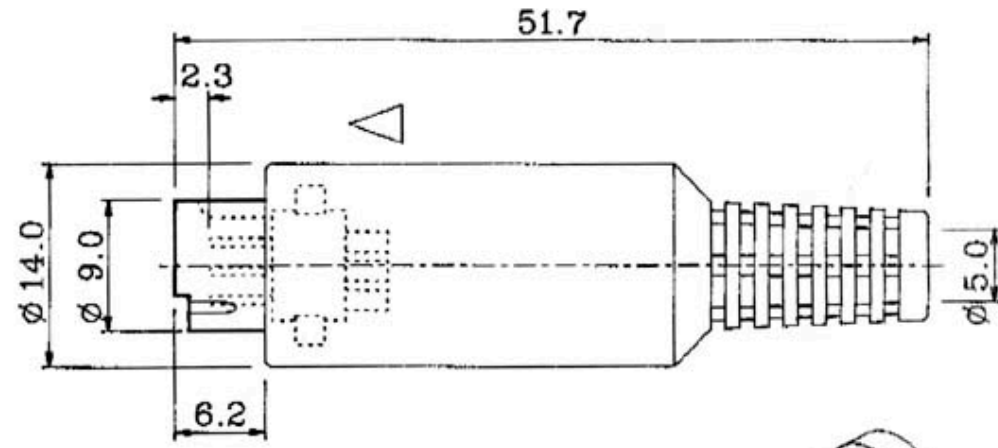
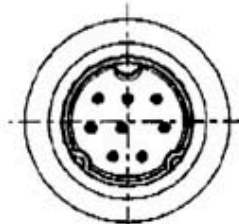


Date	Rev.	Description

ARRANGEMENT OF CONTACTS						SPECIFICATIONS	
3P	4P	5P	6P	7P	8P	Contact resistance	30MΩ Max.
						Dielectric strength	250V AC/1 Minute
						Insulation resistance	50MΩ Min. at 250V DC
						Rating	100V AC 1A Max.; 12V DC 2A Max.
						Insertion force	4.5Kg Max.
						Withdrawal force	0.9Kg ~ 3Kg



6	CLIP RING	1	BSR-H (0.8t)	NICKEL	30-50U"
5	MAIN BODY	1	EVA [UE833]		
4	PLASTIC LINING	1	ABS [777D]		UL94
3	METAL COVER	1	BSR-H (0.4t) [C2680R]	NICKEL	30-50U"
2	CONTACT TERMINAL	8	BSR-H (0.58D) [R-35]	SILVER PLATED	30-50U"
1	PLASTIC CORE	1	PBT [D202G151]		UL94
P/N	PART NAME	Q'TY	MATERIAL	PLATING	REMARKS

MATERIAL	<b>GOLDSUN ELECTRONICS CO., LTD.</b>		
JAMECO NO.	111878	GOLDSUN NO.	A9002-8P_U
DESCRIPTION	MINI DIN MALE PLUGS		Rev. 1
UNIT: mm	SCALE:	SHEET 1 OF 1	CAS No: ERN No:

DCC. NO.  
A4 DRAWING NO.

DRAWN: Kiki Chen  
VERIFY PEOPLE: Wendy Chen, Fanny Du