

Distributed by:

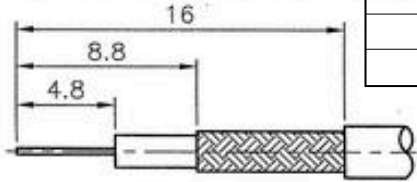
JAMECO[®]
ELECTRONICS

www.Jameco.com ♦ 1-800-831-4242

The content and copyrights of the attached
material are the property of its owner.

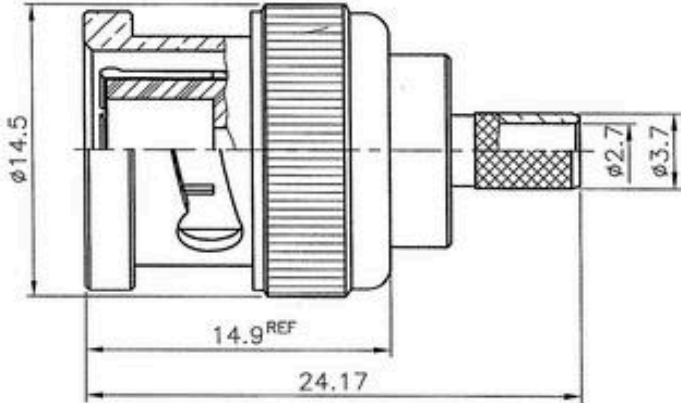
Jameco Part Number 112110

Date	Rev.	Description

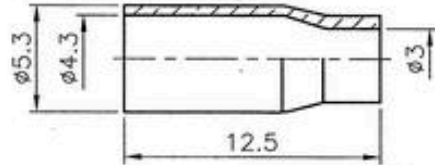
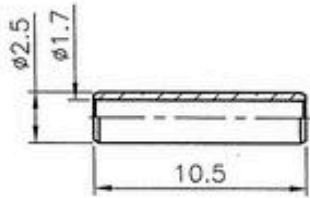
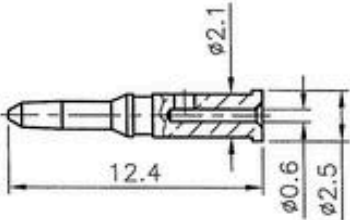


RECOMMENDED
CABLE STRIPPING DIM'S

REMARK: RoHS COMPLIANT



- NOTES: FINISH (PLATING THICKNESS IN MICRO-INCHES)
1. BRASS PER QQ-B-626
 2. NICKEL PL 70 MIN THICK OVER COPPER STRIKE
 3. GOLD PL 3 MIN OVER NICKEL PL 70 MIN THICK OVER COPPER STRIKE
 4. BRASS JIS H 3250, C 2700
 5. TEFLON MIL-P-19468



1. CRIMPED FERRULE
HEX CRIMP SIZE .178" (4.52mm)

2. CRIMPED CONTACT PIN
HEX CRIMP SIZE .068" (1.72mm)

NO.	DESCRIPTION	MATERIAL	FINISH	Q'TY	DRAWING NO.
	FERRULE	NOTE 4	NOTE 2		
	SPACER	NOTE 1	NOTE 2		
	SPACER	NOTE 5	WHITE		
	CONTACT PIN	NOTE 1	NOTE 3		
	SHELL	NOTE 1	NOTE 2		
	GASKET	SILICONE	RED		
	C RING	SS41	NOTE 2		
	SPRING	SK5	NOTE 2		
	WASHER	SS41	NOTE 2		
	INSULATOR	DELIN	WHITE		
	BODY	NOTE 1	NOTE 2		

DCC. NO.
A4 DRAWING NO.

MATERIAL		GOLDSUN ELECTRONICS CO., LTD.	
JAMECO NO. 112110		GOLDSUN NO. G7409-R	
DRAWN: Kiki Chen		Description BNC MALE CONNECTOR	
VERIFY PEOPLE: Wendy Chen, Fanny Du		Rev. 1	
UNIT: mm	SCALE:	SHEET 1 OF 1	CAS No: ERN No: