

Distributed by:

JAMECO[®]
ELECTRONICS

www.Jameco.com ♦ 1-800-831-4242

The content and copyrights of the attached
material are the property of its owner.

Jameco Part Number 112264

2010series

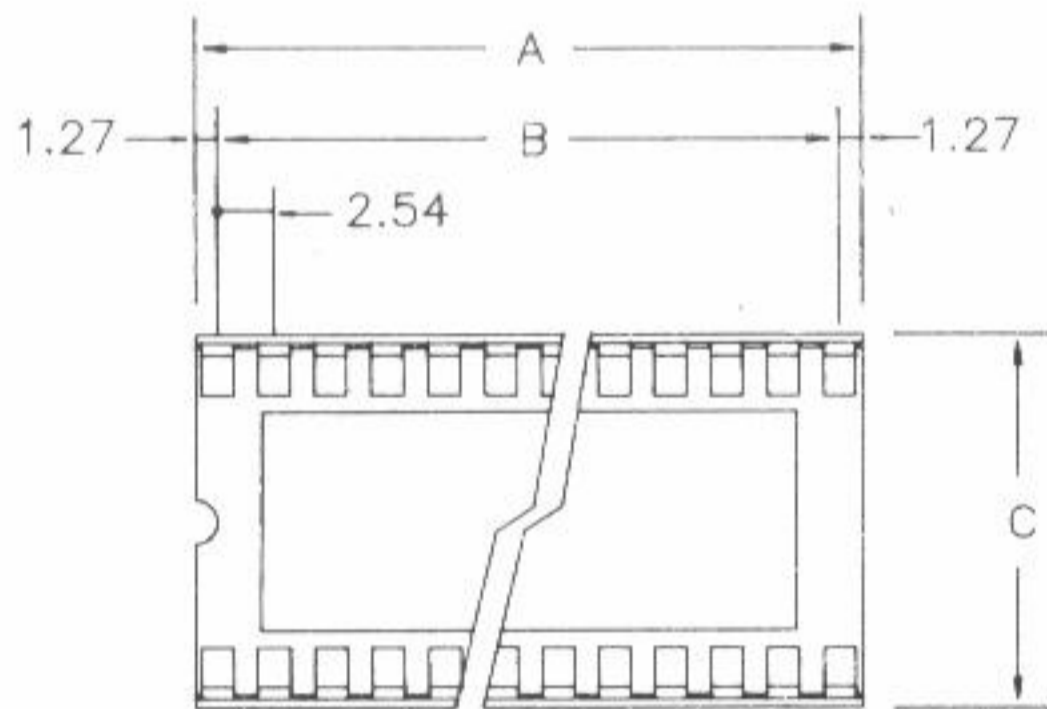
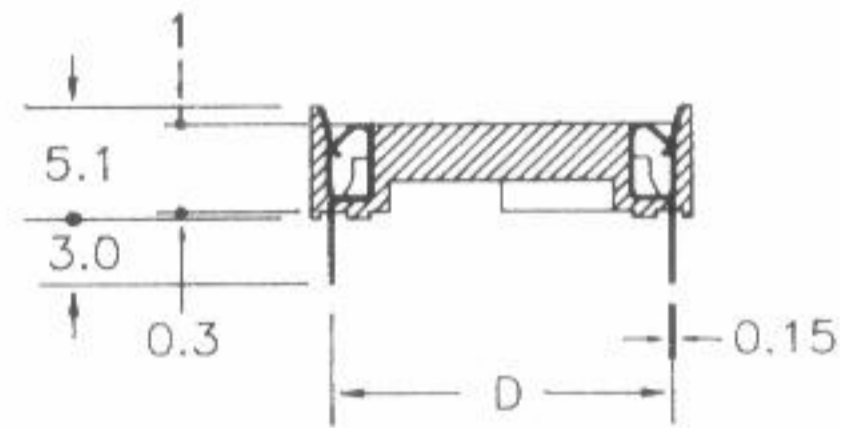
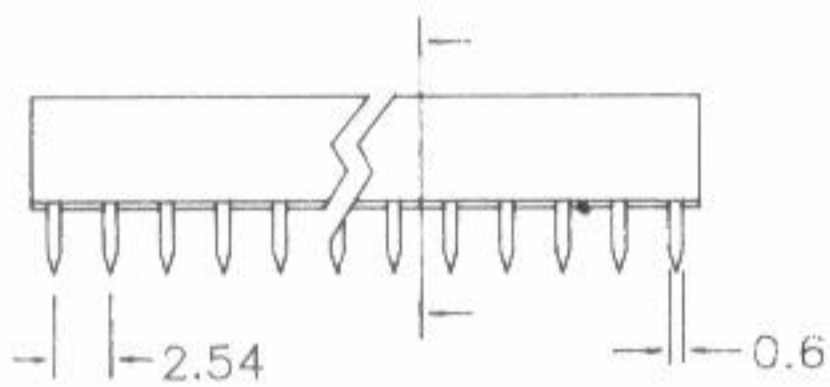
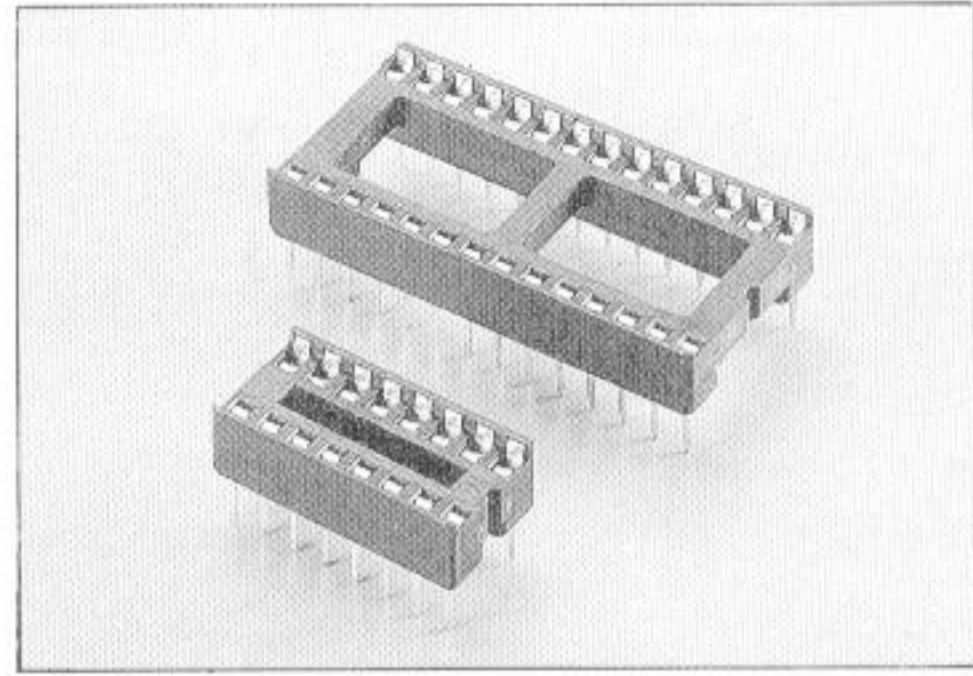
IC SOCKET 2.54mm (0.100")

Specifications:

Contact Resistance: 30mΩmax. at DC 100mA
 Insulator Resistance: 1000MΩmin. at DC 500V
 Current Rating: 1 AMP

Dielectric Withstanding

Voltage: AC 500V For 1 minute
 Operating Temperature: -55°C~+105°C
 Contact: Phosphor Bronze
 Housing: PBT & 30% Glass Fiber (UL 94V-0)



Dimension

Position	Dimension			
	A	B	C	D
6	7.52	7.62	10.16	7.62
8	10.16	7.62	10.16	7.62
14	17.78	15.24	10.16	7.62
16	20.32	17.78	10.16	7.62
18	22.86	20.32	10.16	7.62
20	25.40	22.86	10.16	7.62
24	30.48	27.94	10.16	7.62
24	30.48	27.94	17.78	15.24
28	35.56	33.02	10.16	7.62
28	35.56	33.02	17.78	15.24
32	40.54	38.10	17.68	15.24
40	50.80	48.26	17.78	15.24
42	53.21	50.80	17.68	15.24
48	60.80	58.42	17.68	15.24
64	81.24	78.43	25.99	22.86

TOP WILLING CO., LTD.
 1FL., NO. 3, LANE 39, YU SHYH ROAD,
 WU-KU HSIANG, TAIPEI HSIEN, TAIWAN
 TEL: 2-2920757 FAX: 2-2941947