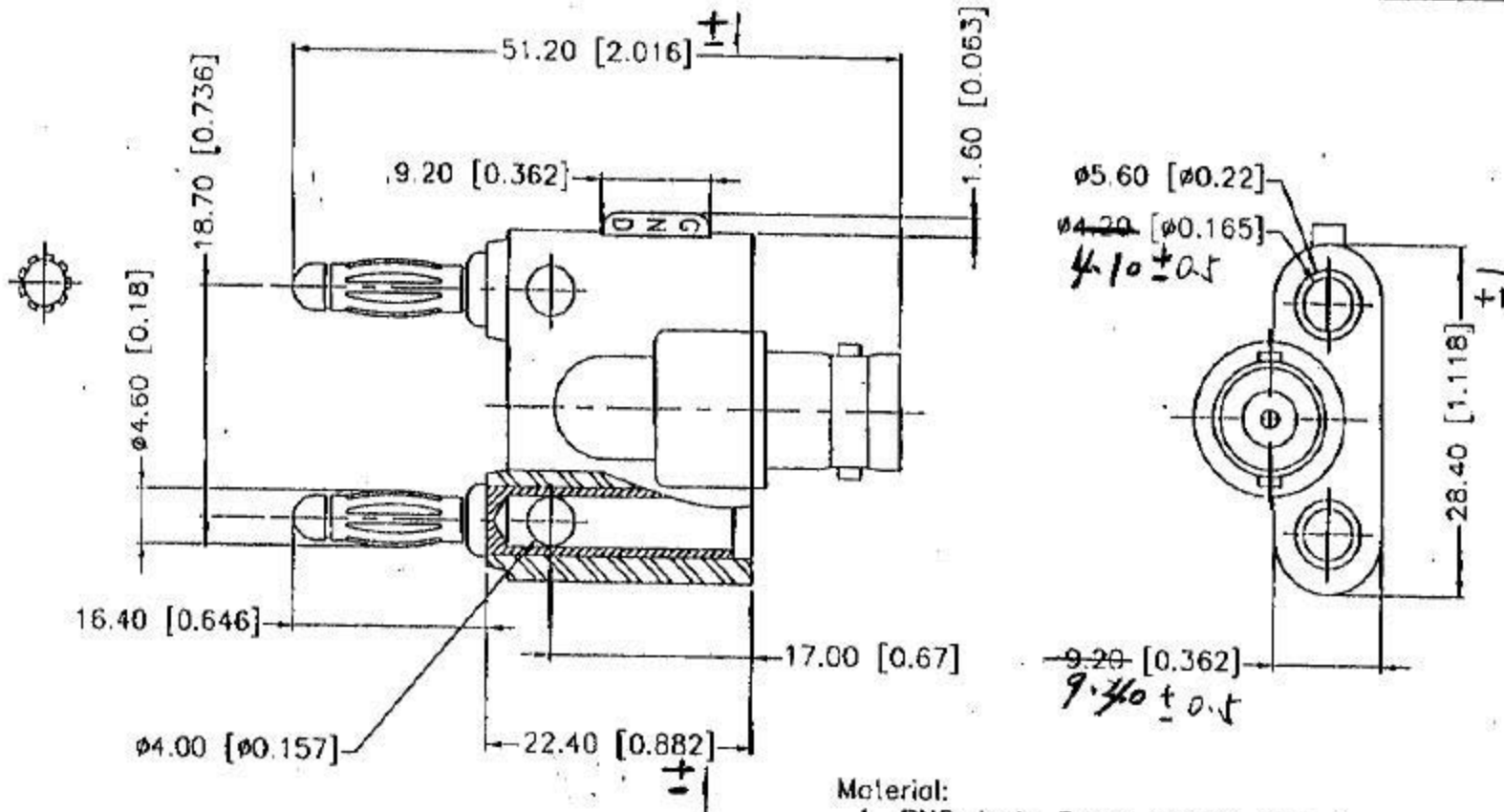


CUSTOMER

FILE NO.

7L-037

THIS DRAWING AND SPECIFICATIONS ARE THE CONFIDENTIAL PROPERTY OF SABB AND SHALL NOT BE REPRODUCED OR COPIED OR DISCLOSED IN WHOLE OR IN PART WITHOUT WRITTEN PERMISSION.



## Material:

1. BNC Jack: Brass, Nickel-Plated
2. BNC Center Contact: Brass, Gold-Plated
3. BNC Center Insulator: Delrin
4. Banana Jack: Brass, Nickel-Plated
5. Banana Plug: Beryllium Copper, Nickel-Plated
6. Body: PE, Black Color