

Distributed by:

JAMECO[®]
ELECTRONICS

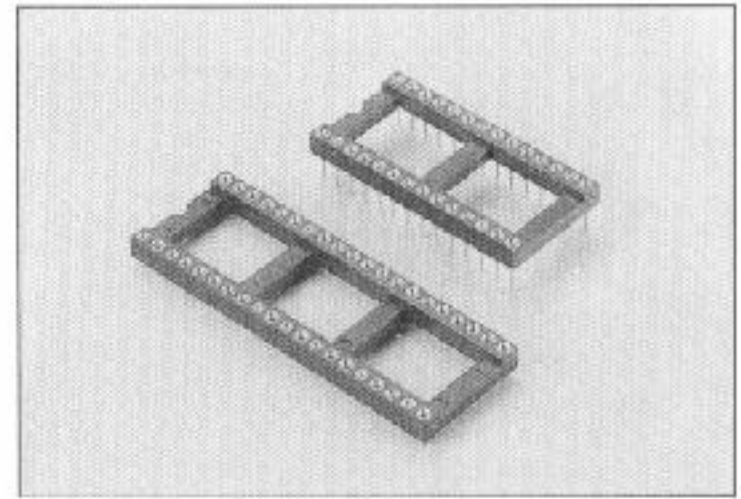
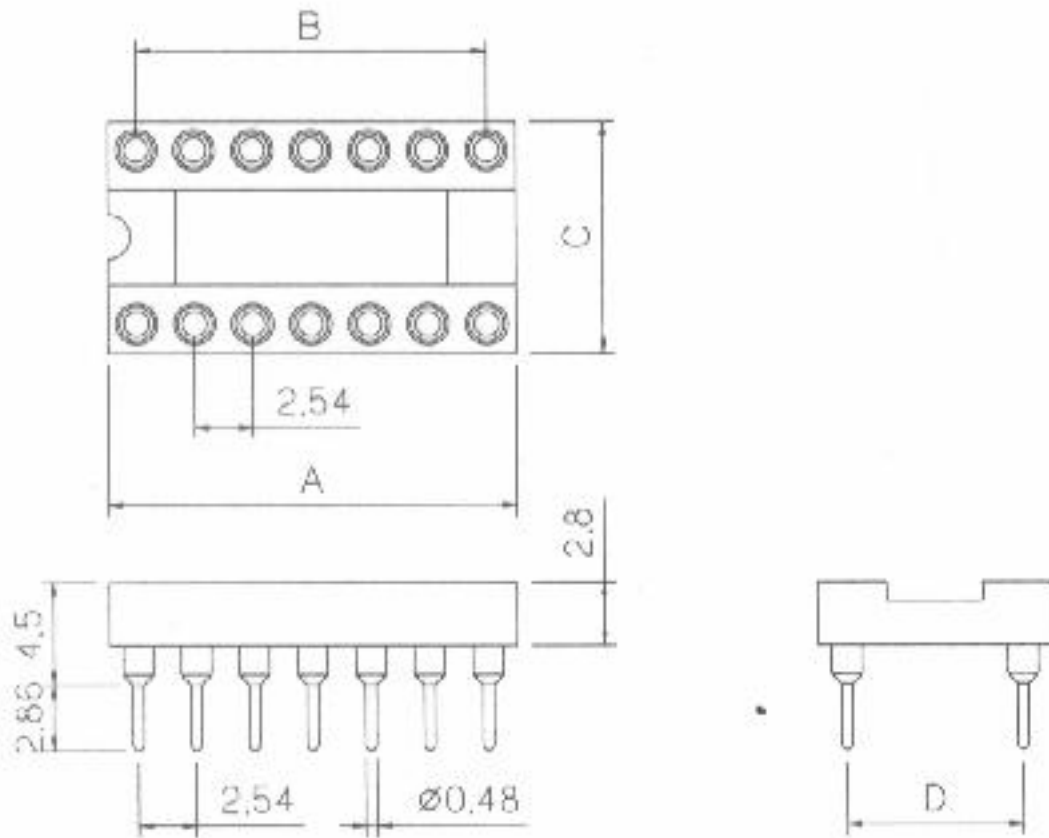
www.Jameco.com ♦ 1-800-831-4242

The content and copyrights of the attached
material are the property of its owner.

Jameco Part Number 114412

6100 Series

IC Socket 2.54mm (0.100")



ROHS

Dimensions

| Positions | A | B | C | D |
|-----------|-------|-------|-------|------|
| 6 | 7.62 | 5.08 | 10.16 | 7.62 |
| 8 | 10.16 | 7.62 | 10.16 | |
| 14 | 17.78 | 15.24 | 10.16 | |
| 16 | 20.32 | 17.78 | 10.16 | |
| 18 | 22.86 | 20.32 | 10.16 | |
| 20 | 25.40 | 22.86 | 10.16 | |
| 24 | 30.48 | 27.94 | 10.16 | |
| 28 | 35.56 | 33.02 | 10.16 | |

Dimensions

| Positions | A | B | C | D |
|-----------|-------|-------|-------|-------|
| 24 | 30.48 | 27.94 | 17.78 | 15.24 |
| 28 | 35.56 | 33.02 | 17.78 | |
| 32 | 40.64 | 38.10 | 17.78 | |
| 40 | 50.80 | 48.26 | 17.78 | |

Product Specification

Material

Insulator: Glass-Filled Thermoplastic
UL 94V-0 rates, Color-Black

Contact: Brass or Phosphor Bronze
Plated full gold or selected gold in mating area, 100u" min. tin-lead on termination area, with entire contact under-plated 50u" min. Nickel

Electrical

Contact Resistance: 30 miliohms
Max at 1 AMP DC.

Insulation Resistance: 1000
megohms at 500 VDC

Dielectric Withstanding Voltage:
500 VAC/rms 60Hz for 1 minute

Current Rating: 1 AMP

Volatge Rating: 250 VAC/rms
60Hz

Ordering Information

