

Distributed by:

JAMECO[®]
ELECTRONICS

www.Jameco.com ♦ 1-800-831-4242

The content and copyrights of the attached
material are the property of its owner.

Jameco Part Number 115027

MATERIALS

1. CONTACT: BRASS
2. INSULATOR: PBT (UL 94V-0)
3. CONTACT PLATING: GOLD OVER NICKEL

SPECIFICATION

1. INSULATOR RESISTANCE: 5000M ohms Min
2. CURRENT RATING: 3 Amps
3. DIELECTRIC WITHSTANDING VOLTAGE: AC 500V
4. OPERATING TEMPERATURE: -45°C TO +105°C

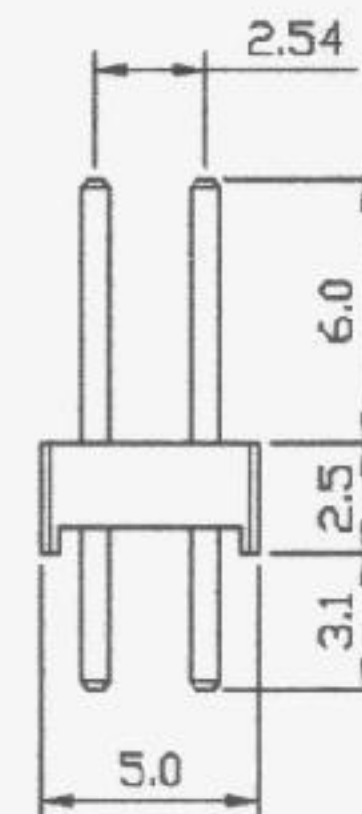
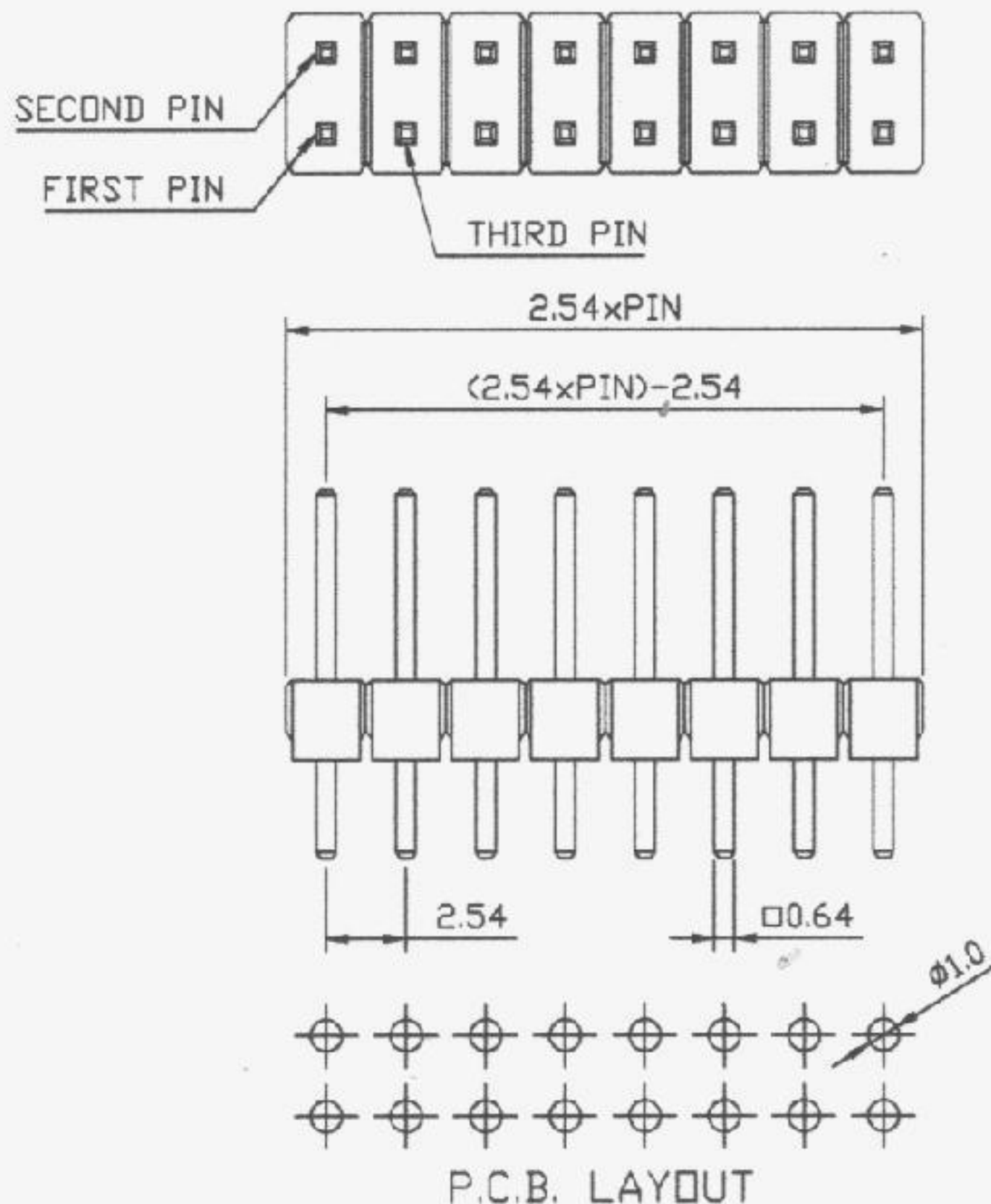
Old Series number : 7000-2xXX-SG

Part Number :

2012-254-2xXX-SG

XX : number of contacts

ROHS



TOP WILLING

TITLE	PIN HEADER PITCH=2.54mm STRAIGHT 雙排	SCALE	APP.	GENERAL TOLERANCE UNLESS SPECIFIED	
		SHEET	1 OF 1	CHK.	LINEAR
DWG.NO.	P3-01IXXX116S1BG	UNIT	DR.	ANGLES	0.00±0.20
					±1°



REV