

Distributed by:

JAMECO[®]
ELECTRONICS

www.Jameco.com ♦ 1-800-831-4242

The content and copyrights of the attached
material are the property of its owner.

Jameco Part Number 1156533



Features

- Stable, infinite resolution cermet element
- Vertical and horizontal adjust styles
- Optional packaging on embossed tape
- Compatible with surface mount manufacturing processes

- RoHS compliant* - see [processing information](#) on lead free surface mount trimmers

3269 - 1/4 " Square SMD Trimming Potentiometer

Electrical Characteristics

Standard Resistance Range10 ohms to 1 megohm
 (see standard resistance table)
 Resistance Tolerance±10 % std.
 (closer tolerance available)
 Absolute Minimum Resistance1 % or 2 ohms max.
 (whichever is greater)
 Contact Resistance Variation3.0 % or 3 ohms max.
 (whichever is greater)
 Adjustability
 Voltage±0.02 %
 Resistance±0.05 %
 ResolutionInfinite
 Insulation Resistance500 vdc.
 1,000 megohms min.

Dielectric Strength
 Sea Level600 vac
 80,000 Feet250 vac
 Effective Travel12 turns nom.

Environmental Characteristics

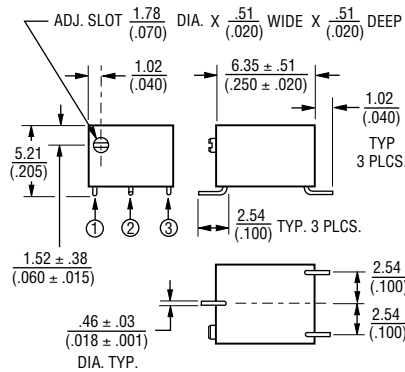
Power Rating (300 volts max.)
 85 °C0.25 watt
 150 °C0 watt
 Temperature Range-65 °C to +150 °C
 Temperature Coefficient±100 ppm/°C
 Seal Test85 °C Fluorinert[†]
 HumidityMIL-STD-202 Method 106
 (2 % ΔTR; IR 100 Megohms)
 Vibration30 G (1 % ΔTR; 1 % ΔVR)
 Shock100 G (1 % ΔTR; 1 % ΔVR)
 Load Life..1,000 hours 0.25 watt @ 85 °C
 (3 % ΔTR; 3 % or 3 ohms
 whichever is greater, CRV)
 Rotational Life200 cycles
 (2 % ΔTR; 3 % or 3 ohms,
 whichever is greater, CRV)

Physical Characteristics

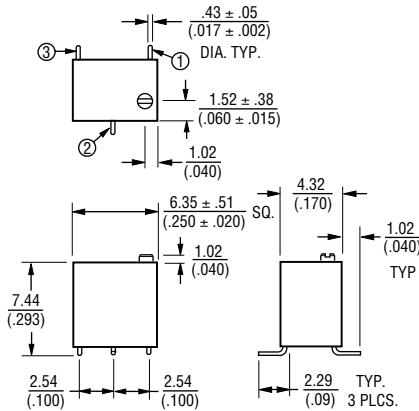
Torque3.0 oz-in. max.
 Mechanical StopsWiper idles
 TerminalsSolderable pins
 Weight0.015 oz.
 MarkingManufacturer's
 trademark, resistance code,
 wiring diagram, date code,
 manufacturer's model
 number and style
 Standard Packaging50 pcs. per tube
 Adjustment ToolH-90
 Wiper50 % (Actual TR) ±10 %

3269P

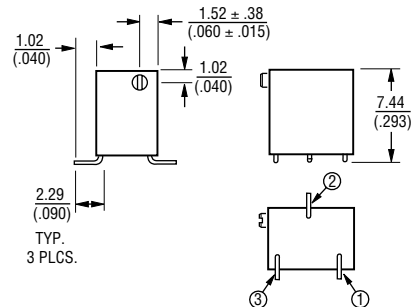
Common Dimensions



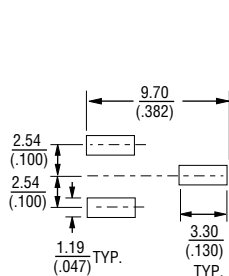
3269W



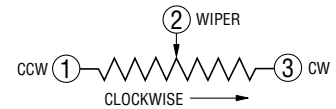
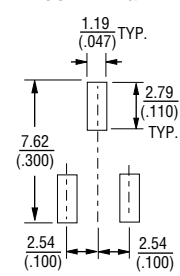
3269X



RECOMMENDED PCB LAYOUT - "P"



RECOMMENDED PCB LAYOUT - "W" & "X"



TOLERANCES: ± 0.25 (.010) EXCEPT WHERE NOTED

DIMENSIONS ARE: $\frac{\text{MM}}{\text{(INCHES)}}$

How To Order

3269 X - 1 - 103 G LF

Model _____
 Style _____
 Standard or Modified Product Indicator _____
 For P pin style:
 -1 = Terminals #1 & #3 away from sprocket holes
 -2 = Terminals #1 & #3 toward sprocket holes
 For W & X pin styles:
 -1 = Terminals #1 & #3 toward sprocket holes
 -2 = Terminals #1 & #3 away from sprocket holes
 For P, W & X pin styles:
 -11 = ±5 % TR
 Resistance Code _____
 Embossed Tape Designator
 G = Embossed Tape
 "P" Style - 750 pcs./13" reel
 "W, X" Style - 500 pcs./13" reel
 Terminations _____
 LF = 100 % Tin-plated (RoHS compliant)
 Blank = 90 % Tin / 10 % Lead-plated (Standard)

Standard Resistance Table

Resistance (Ohms)	Resistance Code
10	100
20	200
50	500
100	101
200	201
500	501
1,000	102
2,000	202
5,000	502
10,000	103
20,000	203
25,000	253
50,000	503
100,000	104
200,000	204
250,000	254
500,000	504
1,000,000	105

Popular distribution resistance values listed in boldface. Special resistances available.

*RoHS Directive 2002/95/EC Jan 27 2003 including Annex.

†"Fluorinert" is a registered trademark of 3M Co.

Specifications are subject to change without notice.

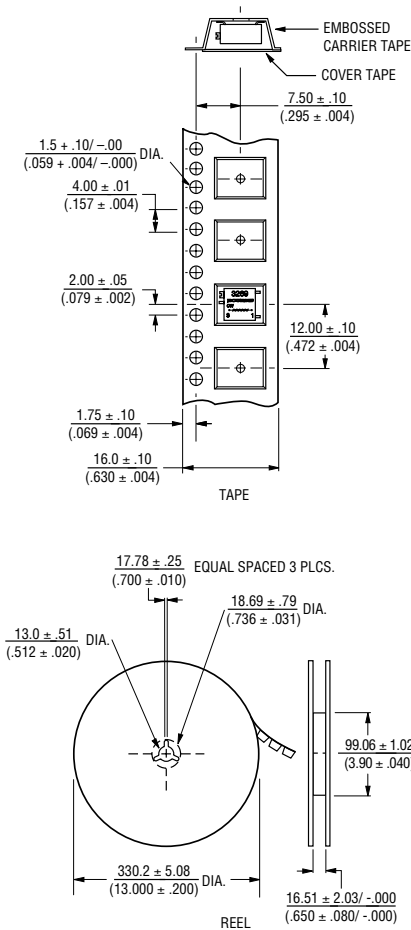
Customers should verify actual device performance in their specific applications.

3269 - Packaging Specifications

BOURNS®

Packaging Specifications

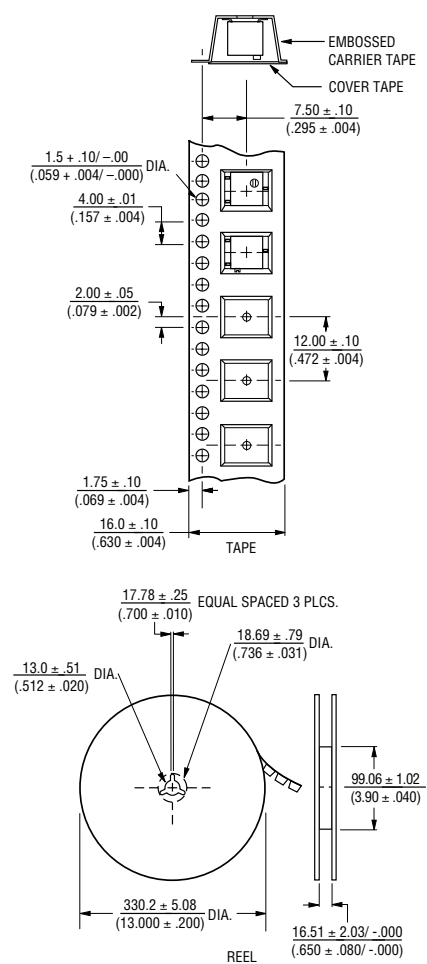
(P Style)



-1 as shown meets EIA Specification 481.
Units packaged 750 pieces per reel.

Packaging Specifications

(W & X Styles)



-2 as shown meets EIA Specification 481.
Units packaged 500 pieces per reel.