

Distributed by:

JAMECO[®]
ELECTRONICS

www.Jameco.com ♦ 1-800-831-4242

The content and copyrights of the attached
material are the property of its owner.

Jameco Part Number 1172939

T Series



UL Recognized
CSA Certified
VDE Approved



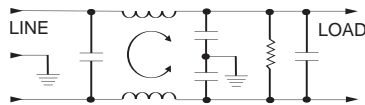
T Series

The T series RFI filters provide superior common-mode and premium differential-mode attenuation, exceeded only by that of Q series filters. This remarkable performance is available for current ratings up to 20 amps in package sizes smaller than comparable EP series filters. In fact, the 10-amp T is smaller than the 6-amp EP.

These filters are a size and cost-effective choice for very noisy equipment that must meet the emission limits of FCC Parts 15 and 18 or EN55022, A-level. In some cases, these filters can even bring equipment into compliance with EN55022, B-level. This performance is accomplished with circuits that still meet the very low leakage current requirements of VDE portable equipment, and (120 Volt) UL544 non-patient medical equipment

Electrical Schematics

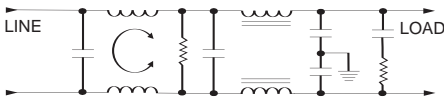
3ET & 6ET



10ET & 10VT



15ET & 15VT, 20ET & 20VT



Resistor location for reference only.

Specifications

Maximum leakage current, each line-to-ground

	ET Models	VT Models
@ 120 VAC 60 Hz: (3A, 6A, 10A)	.30 mA	.75 mA
@ 120 VAC 60 Hz: (15A, 20A)	.30 mA	1.2 mA
@ 250 VAC 50 Hz: (3A, 6A, 10A)	.50 mA	1.25 mA
@ 250 VAC 50 Hz: (15A, 20A)	.50 mA	2.0 mA

Hipot rating (one minute):

line-to-ground	2250 VDC
line-to-line	1450 VDC

Operating frequency:

50/60 Hz

Rated voltage (max.):

250 VAC

Minimum insertion loss in dB:

Line-to-ground in 50 ohm circuit

Current Rating	Frequency—MHz										
	.01	.03	.05	.15	.5	1	2	5	10	20	30

ET Models

3A	22	32	36	46	47	44	43	40	42	42	42
6A	16	26	30	41	47	44	43	43	40	42	42
10A	12	22	26	36	47	42	42	40	42	42	45
15A	8	17	22	31	43	44	44	42	47	52	43
20A	3	12	17	26	34	36	37	37	42	47	38

VT Models

10A	12	22	26	38	52	50	50	50	50	50	50
15A	8	17	22	33	52	52	52	52	57	45	35
20A	3	12	17	29	42	47	50	51	55	40	30

Line-to-line in 50 ohm circuit

Current Rating	Frequency—MHz										
	.01	.03	.05	.15	.5	1	2	5	10	20	30

ET Models

3A	3	1	30	61	70	70	70	50	50	50	55
6A	4	2	14	51	70	70	70	65	47	50	55
10A	7	12	17	52	70	70	70	65	55	50	60
15A	12	19	15	51	70	70	70	70	70	65	60
20A	10	17	13	51	70	70	70	70	67	65	60

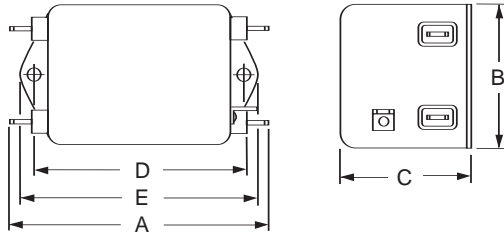
VT Models

10A	7	12	17	52	70	70	70	65	65	50	65
15A	12	19	15	51	70	70	70	70	70	65	60
20A	10	17	13	51	70	70	70	70	67	65	60

T Series

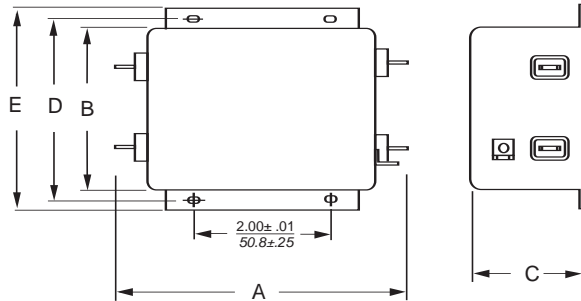
Case Styles

T1



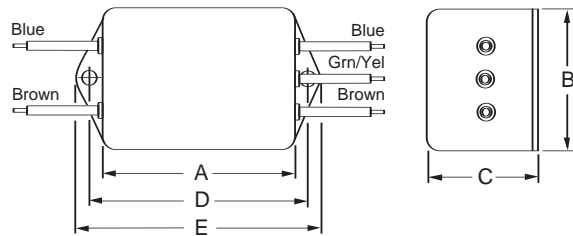
Typical dimensions:
 Terminals: .250 [6.35] (5)
 Slot: .07 x .16 [1.8 x 4.1]
 Holes: .07 [1.8] Dia. (4)
 Mounting holes: .188 [4.78] Dia. (2)

15A, 20A-T1



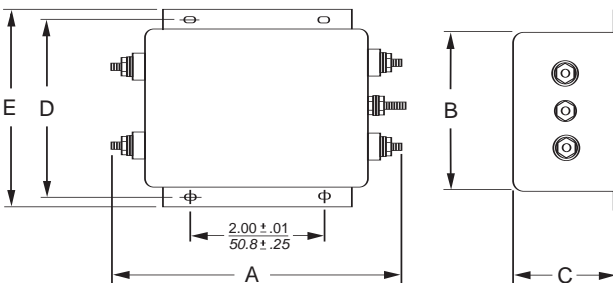
Typical dimensions:
 Terminals: .250 [6.35] (5)
 Slot: .07 x .16 [1.8 x 4.1]
 Holes: .07 [1.8] Dia. (4)
 Mounting holes: .203 x .156 [5.16 x 3.96] Dia. (4)

T3



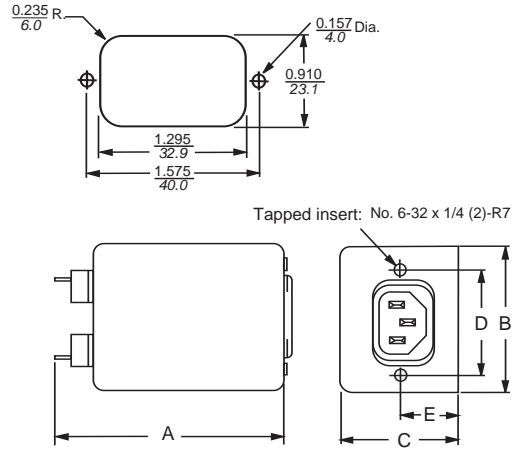
Typical dimensions:
 Wire leads: 4.0 [101.6] Min.
 Mounting holes: .188 [4.78] Dia. (2)

15A, 20A-T6



Typical dimensions:
 Terminals: No. 8-32
 Torque: 18 ± 2 in.lb

T7



Case Dimensions

Part No.	A (max)	B (max)	C (max)	D $\pm .015$ $\pm .38$	E (max)
3ET1, 6ET1	3.56 90.4	2.15 54.6	1.81 46.0	2.938 74.63	3.38 85.9
3ET3, 6ET3	2.55 64.8	2.15 54.6	1.81 46.0	2.938 74.63	3.38 85.9
3ET7, 6ET7	3.52 89.4	2.25 57.2	1.78 45.2	1.575 40.01	0.63 † 16.0
10ET1, 10VT1	4.69 119.1	2.27 57.7	1.80 45.7	4.063 103.2	4.47 113.5
10ET3, 10VT3	3.69 93.7	2.27 57.7	1.80 45.7	4.063 103.2	4.47 113.5
15ET1, 15VT1, 20ET1, 20VT1	5.45 138.4	3.12 79.2	2.18 55.4	3.500 88.9	3.96 100.6
15ET6, 15VT6, 20ET6, 20VT6	5.95 151.1	3.12 79.2	2.18 55.4	3.500 88.9	3.96 100.6

† ±.02 [±.5]

Part Numbers

3ET1	10ET1	10VT1
3ET3	10ET3	10VT3
3ET7	15ET1	15VT1
6ET1	15ET6	15VT6
6ET3	20ET1	20VT1
6ET7	20ET6	20VT6

Line Cord No. (T7) GA400