

Jameco Part number 117954

JAMECO^{IN}
ELECTRONIC COMPONENTS
COMPUTER PRODUCTS

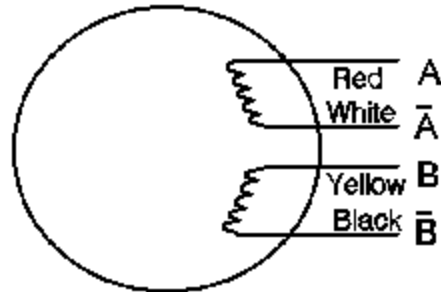
Part No. 117954
Product No. LB82773-M1
2 Phase Bipolar Stepper Motor

1355 Shoreway Rd., Belmont, CA 94002
 BBS: 415-637-9025

Tel: 415-592-8097 Fax: 415-592-2503

Specifications:

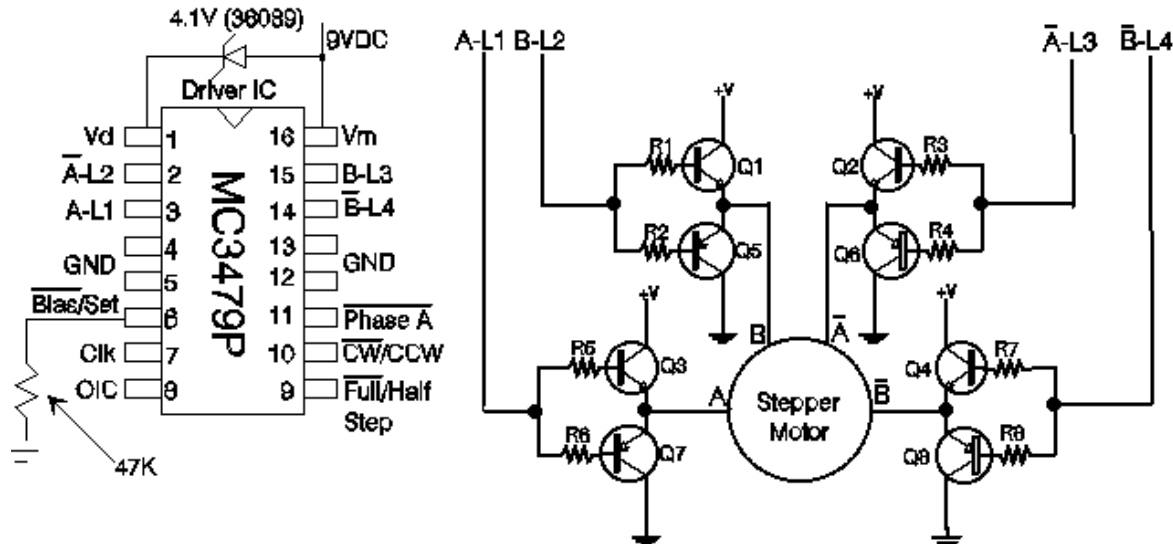
- Bipolar (2 Phase)
- 5VDC, 800mA
- Coll: 6.25 Ohm
- 7.5 degrees/step
- Shaft: 0.250"D x 0.75"L
- Mounting Hole Spacing: 2.60"
- Mounting Hole Diameter: 0.20"
- Motor: 2.25"D x 0.99"H
- Detent Torque: 100 g-cm
- Holding Torque: 1080 g-cm
- Weight: 0.61 lbs.



Applications:

- Automation
- Robotic Control
- Precision Mechanical Control

Step	A	B	A	B
1	+	+	-	-
2	-	+	+	-
3	-	-	+	+
4	+	-	-	+
5	+	+	-	-



Q1-Q4 = MJE3055T (25857)
 Q5-Q8 = MJE2955T (25831)

R1-R8 = 1K (29563)
 Driver IC - MC3479P (25216)