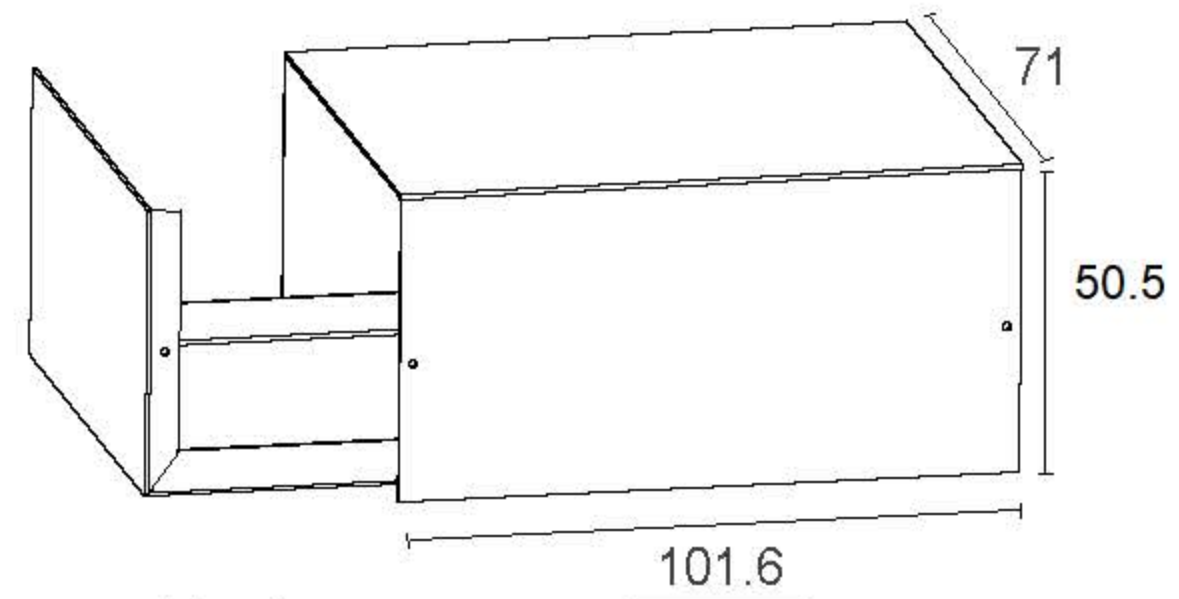
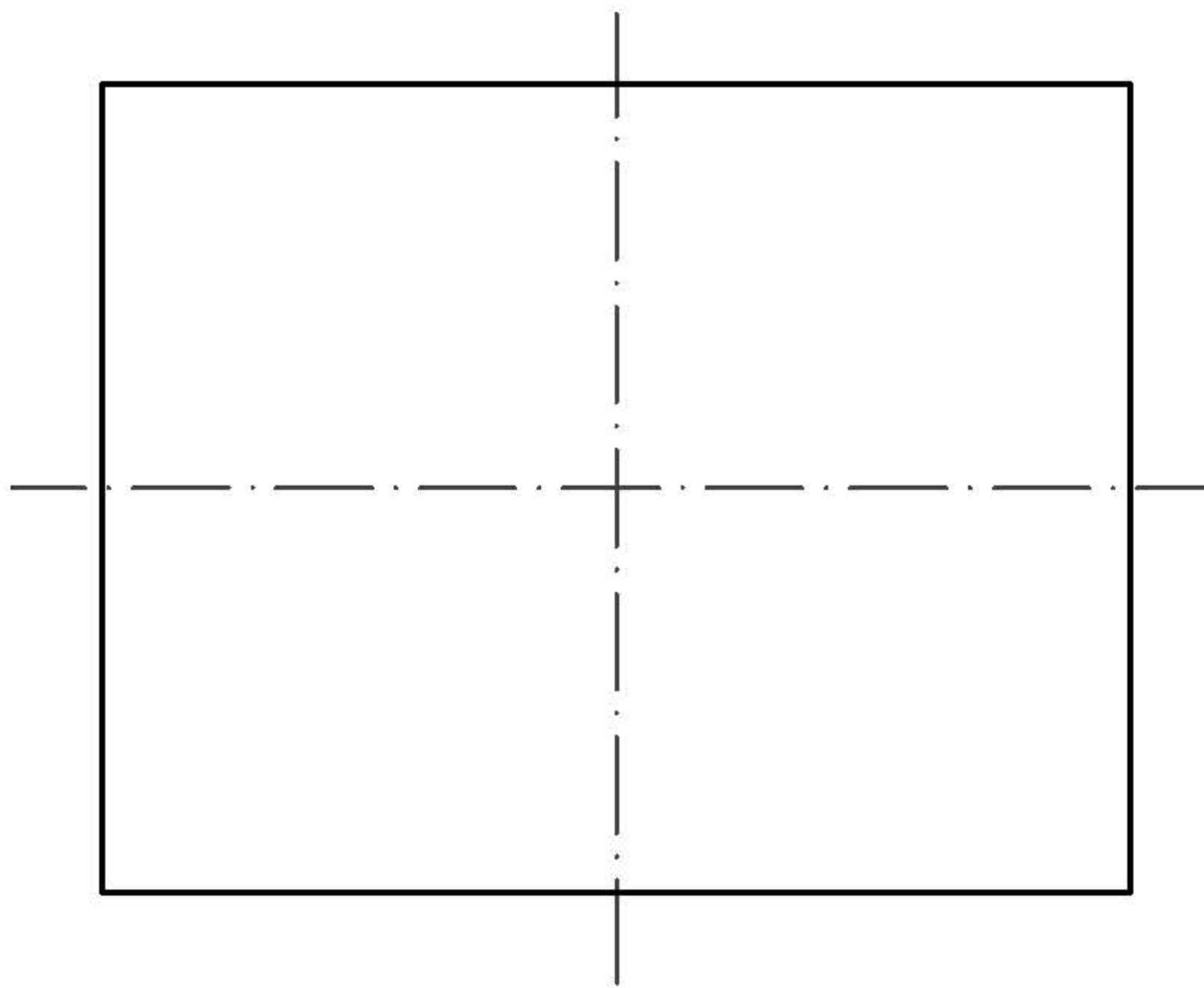
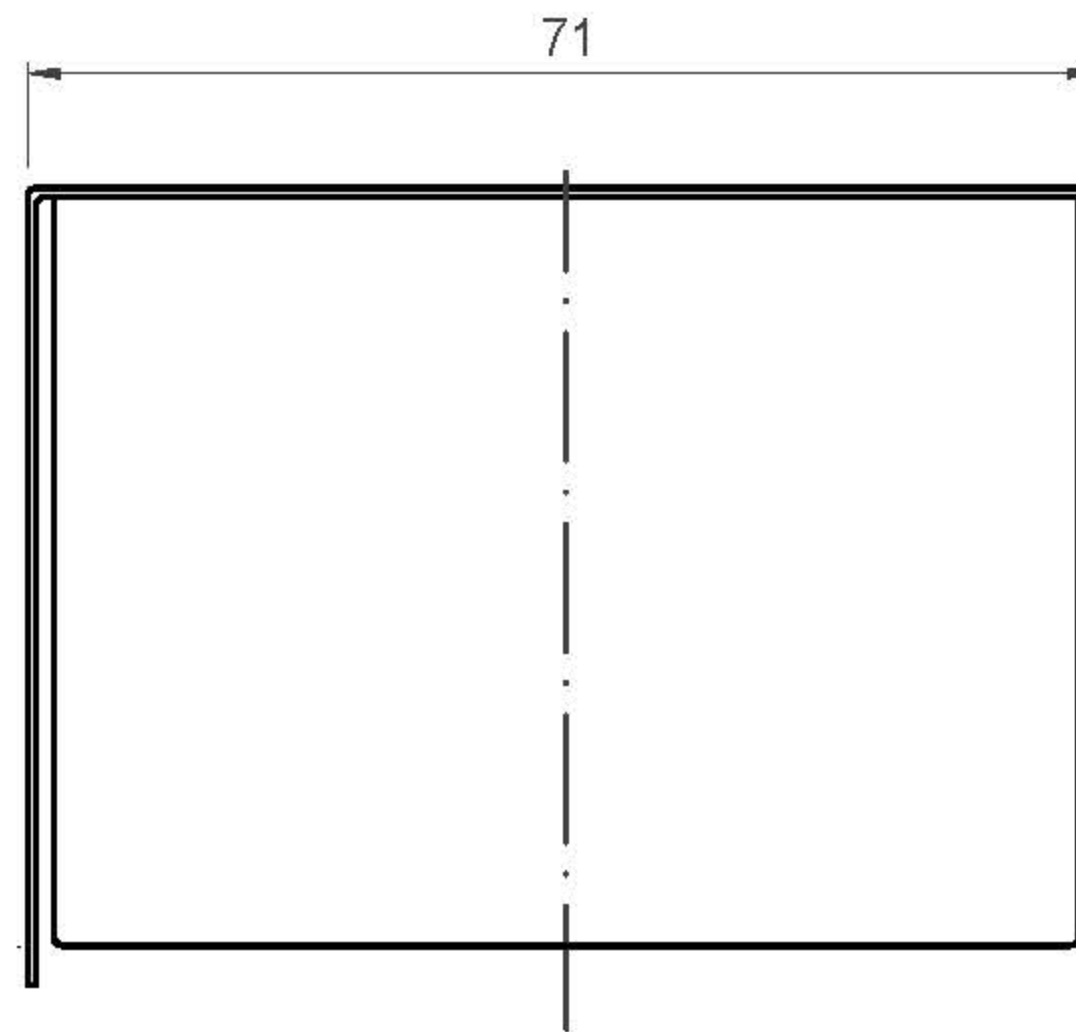
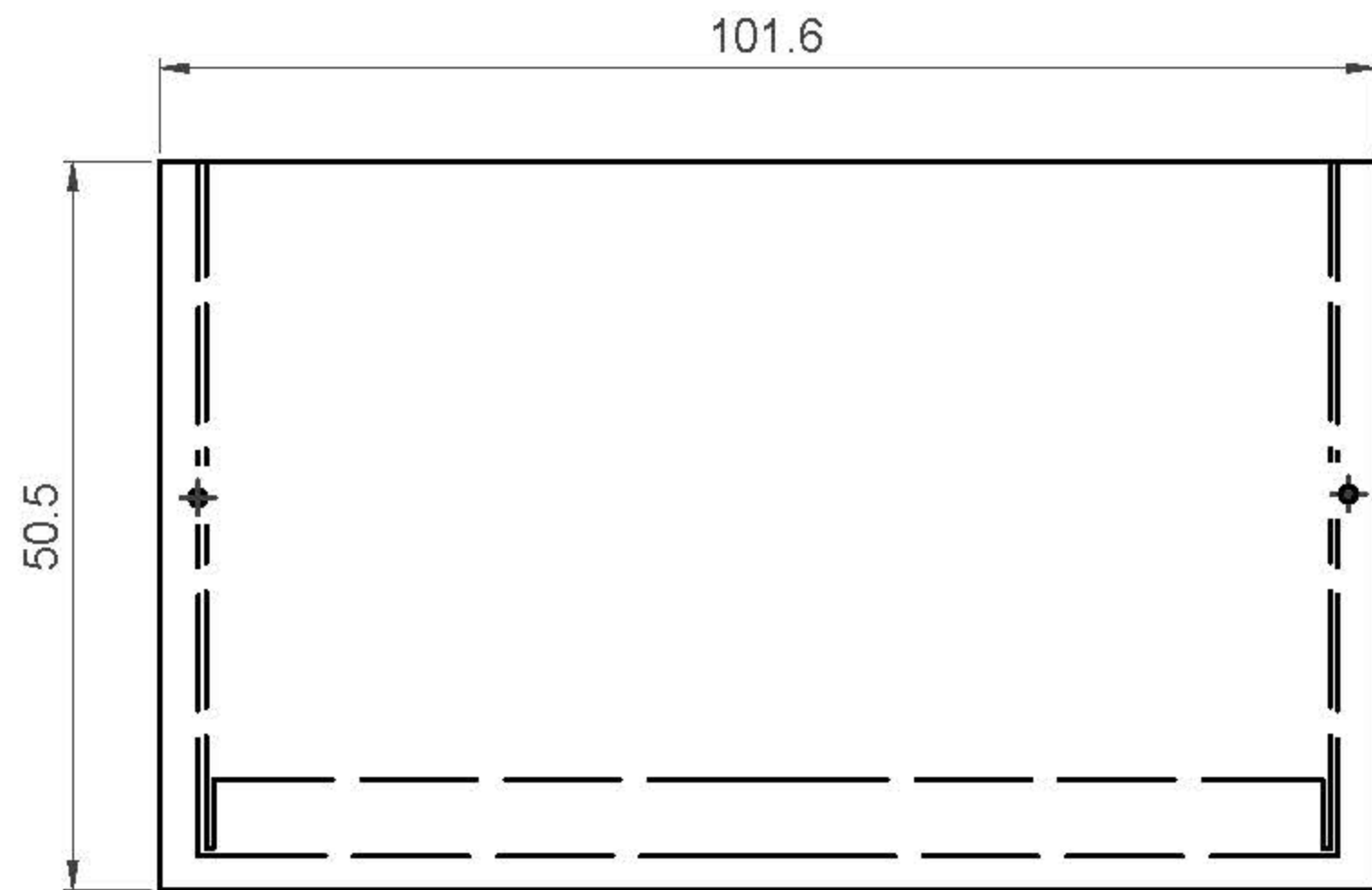


Rev.	Revision	Date
01	Update	10/26/2010



Aluminum

DRAWN	Jack	10/26/2010
CHECKED	Sara	10/26/2010
ENG APPR.		
MFG APPR.		
MATERIAL	Aluminum	

UNIT: mm

Sinotech

SFMA-009	SIZE A4	DWG. NO. 11870	REV 01
	SCALE: 1.5:1	Weight(lbs): 0.2	SHEET 1 OF 1