

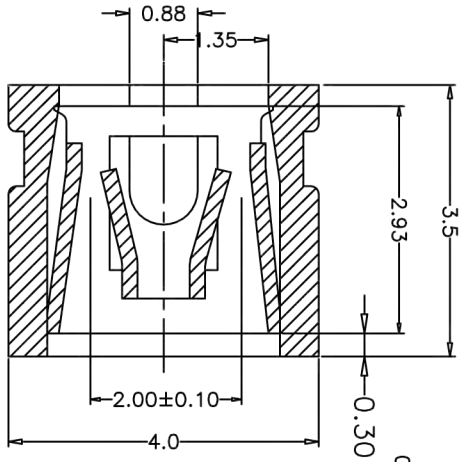
Distributed by:

JAMECO[®]
ELECTRONICS

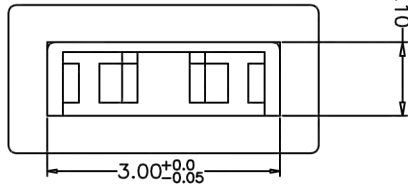
www.Jameco.com ♦ 1-800-831-4242

The content and copyrights of the attached
material are the property of its owner.

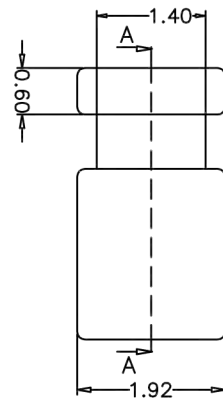
Jameco Part Number 119264



SEC A-A



Part No.	Plating	COLOR
AMJ-P020B-09	Gold/Nickel Plated	BLACK
AMJ-P020B-04	Tin Plated	BLACK
AMJ-P020B-09	Gold/Nickel Plated	BLUE
AMJ-P020B-Y9	Gold/Nickel Plated	YELLOW
AMJ-P020B-R9	Gold/Nickel Plated	RED
AMJ+P020B-09	Gold/Nickel Plated	BLACK
AMJ+B020B-R9	Gold/Nickel Plated	RED
AMJ+B020B-99	Gold/Nickel Plated	BLUE
AMJ+B020B-99	Gold/Nickel Plated	White
AMJ+P020B-093	Gold/Nickel Plated	BLACK
AMJ-P020B-0T	GOLD Plated 3U(鍍金)	BLACK
AMJ+P020B-0T	GOLD Plated 3U(鍍金)	BLACK



REV.	NOTES	DATE
A	RELEASED	2006/06/10
B	ADD AMJ+P020B-093 PART NO.	2006/06/27
C	ADD AMJ-P020B-0T PART NO.	2006/06/06
D	ADD AMJ+P020B-0T PART NO.	2006/06/10

NOTES

- MATERIAL
 - Insulator: P.B.T. +15% G.F. UL94V-0
 - Contact: Phosphor Bronze
 - Plating: Gold Or Nickel Plated
- SPECIFICATION
 - Current Rating: 3Amp Max
 - Dielectric Withstanding: AC 1000V min.Per minute
 - Insulation Resistance: 1000M ohms At DC 500V
 - Contact Resistance: 20 m ohms Max
 - Contact Insertion Force: 0.5kg max
 - Contact Withdraw force: 0.1kg min
 - Operating Temperature: -55°C To +85°C (ROHS)

單位(UNITS)	mm
數量(QTY)	N/A
材料(MTL)	SEE NOTE
處理(FINISH)	SEE NOTE

Top Willing Co., Ltd.

繪圖(DRAW)	齊和平
設計(DE'N)	
審核(CHE'K)	
核准(APP'D)	

圖名(NAME)		MJ2B黑色	
料號(PART NUMBER)	AMJ-P020B-09		
圖號(DRAW NUMBER)	RAMJP020B09		
圖檔(FILE NAME .DWG)	D:VZSB\CPT		
比例(SCALE)	1/1	圖紙(SIZE)	A4
頁次(SHEET)	1	版次(REV.)	D

DIMENSIONS TOLERANCE	
METRIC	
.0= ±.20	
.00= ±.10	
.000= ±.005	
.0000= ±	
ANG.= ±2°	