

Distributed by:

**JAMECO**<sup>®</sup>  
ELECTRONICS

**www.Jameco.com ♦ 1-800-831-4242**

The content and copyrights of the attached  
material are the property of its owner.

Jameco Part Number 121110CALOGIC

## LP2950 / LP2951

### FEATURES

- 5V, 3.3V, and 3.0V Versions at 100mA Output
- Very Low Quiescent Current
- Low Dropout Voltage
- Extremely Tight Load and Line Regulation
- Very Low Temperature Coefficient
- Current and Thermal Limiting
- Needs Only 1 $\mu$ F for Stability

#### LP2951 Versions Only

- Error Flag Warns of Output Dropout
- Logic-Controlled Electronic Shutdown
- Output Programmable from 1.24 to 29V

### APPLICATIONS

- Battery Powered Systems
- Cordless Telephones
- Radio Control Systems
- Portable / Palm Top / Notebook Computers
- Portable Consumer Equipment
- Portable Instrumentation
- Avionics
- SMPS Post-Regulator
- Voltage Reference
- Automotive Electronics

### PRODUCT DESCRIPTION

The Calogic LP2950 and LP2951 are low power voltage regulators. These devices are an excellent choice for use in battery-powered applications such as cordless telephones, radio control systems, and portable computers. The LP2950 and LP2951 features very low quiescent current and very low dropout voltage (Typ. 50mV at light load and 380mV at 100mA). This includes a tight initial tolerance of 0.5% typ., extremely good load and line regulation 0.05% typ. and very low output temperature coefficient, making the LP2950/LP2951 useful as a low-power voltage reference.

The error flag output feature is used as power-on reset for warning of a low output voltage, due to falling voltage input of batteries. Another feature is the logic-compatible shutdown input which enables the regulator to be switched on and off. The LP2950 is offered in a 3-pin TO-92 package compatible with other 5V, 3.0V, 3.3V regulators. The LP2951 is also available in 8-pin plastic and SO-8.

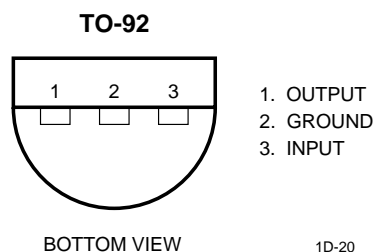
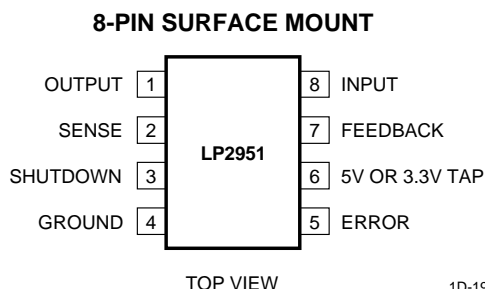
The regulator output voltage may be pin-strapped for 5V, 3V or 3.3 volts or programmed from 1.24 volt to 29 volts with an external pair of resistors. Use of AS's design, processing and testing techniques make our LP2950 and LP2951 superior over similar products.

### ORDERING INFORMATION

PART	PACKAGE	TEMPERATURE RANGE
LP2950ACN-X	TO-92 (3-Pin)	IND.
LP2950CN-X	TO-92 (3-Pin)	IND.
LP2951ACP-X	Plastic DIP (8-Pin)	IND.
LP2951CP-X	Plastic DIP (8-Pin)	IND.
LP2951ACS-X	Plastic SOIC (8-Pin)	IND.
LP2951CS-X	Plastic SOIC (8-Pin)	IND.

X = 3.0V, 3.3V or 5.0V

### PIN CONNECTIONS



1D-20

## ABSOLUTE MAXIMUM RATINGS

Power Dissipation . . . . . Internally Limited  
 Lead Temp. (Soldering, 5 Seconds) . . . . . 260°C  
 Storage Temperature Range . . . . . -65 to +150°C  
 Operating Junction Temperature Range  
   LP2951 . . . . . -55 to +150°C  
   LP2950AC/LP2950C  
   LP2951AC/LP2951C . . . . . -40 to +125°C

Input Supply Voltage . . . . . -0.3 to +30V  
 Feedback Input Voltage . . . . . -1.5 to +30V  
 Shutdown Input Voltage . . . . . -0.3 to +30V  
 Error Comparator Output . . . . . -0.3 to +30V  
 ESD Rating . . . . . 2KV Min

## ELECTRICAL CHARACTERISTICS: $V_S = 15V$ , $T_A = 25^\circ C$ , unless otherwise specified.

PARAMETER	LP2951			LP2950AC / LP2951AC			LP2950C / LP2951C			UNITS	CONDITIONS (Note 2)
	MIN	TYP	MAX	MIN	TYP	MAX	MIN	TYP	MAX		
<b>3V VERSIONS</b>											
Output Voltage	2.985	3.0	3.015	2.985	3.0	3.015	2.970	3.0	3.030	V	$T_J = 25^\circ C$ -25°C ≤ $T_J$ ≤ 85°C Full Operating Temperature
	2.964		3.036	2.964	3.0	3.036	2.940	3.0	3.060	V	
Output Voltage	2.955	3.0	3.045	2.958	3.0	3.042	2.928	3.0	3.072	V	100µA ≤ $I_L$ ≤ 100mA $T_J \leq T_{JMAX}$
<b>3.3V VERSIONS</b>											
Output Voltage	3.284	3.3	3.317	3.284	3.3	3.317	3.267	3.3	3.333	V	$T_J = 25^\circ C$ -25°C ≤ $T_J$ ≤ 85°C Full Operating Temperature
	3.260		3.340	3.260	3.3	3.340	3.234	3.3	3.366	V	
Output Voltage	3.251	3.3	3.350	3.254	3.3	3.346	3.221	3.3	3.379	V	100µA ≤ $I_L$ ≤ 100mA $T_J \leq T_{JMAX}$
<b>5V VERSIONS</b>											
Output Voltage	4.975	5.0	5.025	4.975	5.0	5.025	4.95	5.0	5.05	V	$T_J = 25^\circ C$ -25°C ≤ $T_J$ ≤ 85°C Full Operating Temperature
	4.94		5.06	4.94	5.0	5.06	4.90	5.0	5.10	V	
Output Voltage	4.925	5.0	5.075	4.93	5.0	5.07	4.88	5.0	5.12	V	100µA ≤ $I_L$ ≤ 100mA $T_J \leq T_{JMAX}$
<b>ALL VOLTAGE OPTIONS</b>											
Output Voltage Temperature Coefficient		20	120		20			50		ppm/°C	(Note 1)
Line Regulation (Note 3)		0.03	0.1		0.03	0.1		0.04	0.2	%	6V ≤ $V_{IN}$ ≤ 30V (Note 4)
Load Regulation (Note 3)		0.04	0.1		0.04	0.1		0.1	0.2	%	100µA ≤ $I_L$ ≤ 100mA
Dropout Voltage (Note 5)		50	80		50	80		50	80	mV	$I_L = 100\mu A$ $I_L = 100mA$
		380	450		380	450		380	450	mV	
Ground Current		150	170		150	170		150	170	µA	$I_L = 100\mu A$ $I_L = 100mA$
		8	12		8	12		8	12	mA	
Current Limit		130	200		130	200		130	200	mA	$V_{OUT} = 0$
Thermal Regulation		0.05	0.2		0.05	0.2		0.05	0.2	%/W	
Output Noise, 10Hz to 100KHz		430			430			430		µVrms	$C_L = 1\mu F$ $C_L = 200\mu F$ $C_L = 13.3\mu F$ (Bypass = 0.01µF pins 7 to 1 (LP2951))
		160			160			160		µVrms	
		100			100			100		µVrms	
<b>8-PIN VERSIONS ONLY</b>											
Reference Voltage	1.22	1.235	1.25	1.22	1.235	1.25	1.21	1.235	1.26	V	
Reference Voltage	1.19		1.27	1.19		1.27	1.185		1.285	V	Over Temperature (Note 6)
Feedback Pin Bias Current		40	60		40	60		40	60	nA	
Reference Voltage Temperature Coefficient		20			20			50		ppm/°C	(Note 7)
Feedback Pin Bias Current Temperature Coefficient		0.1			0.1			0.1		nA/°C	

**ELECTRICAL CHARACTERISTICS** (continued)

PARAMETER	LP2951			LP2950AC / LP2951AC			LP2950C / LP2951C			UNITS	CONDITIONS (Note 2)
	MIN	TYP	MAX	MIN	TYP	MAX	MIN	TYP	MAX		
<b>ERROR COMPARATOR</b>											
Output Leakage Current		0.01	1		0.01	1		0.01	1	μA	V <sub>OH</sub> = 30V
Output Low Voltage		150	250		150	250		150	250	mV	V <sub>IN</sub> = 4.5V, I <sub>OL</sub> = 400μA
Upper Threshold Voltage	40	60		40	60		40	60		mV	(Note 7)
Lower Threshold Voltage		75	95		75	95		75	95	mV	(Note 7)
Hysteresis		15			15			15		mV	(Note 7)
<b>SHUTDOWN INPUT</b>											
Input Logic Voltage	2	1.3	0.6	2	1.3	0.7	2	1.3	0.7	V V	Low (Regulator ON) High (Regulator OFF)
Shutdown Pin Input Current		30 675	50 800		30 675	50 800		30 675	50 800	μA μA	V <sub>S</sub> = 2.4V V <sub>S</sub> = 30V
Regulator Output Current in Shutdown		3	10		3	10		3	10	μA	(Note 9)

**Note 1:** Output or reference voltage temperature coefficients defined as the worst case voltage change divided by the total temperature range.

**Note 2:** Unless otherwise specified all limits guaranteed for T<sub>J</sub> = 25°C, V<sub>IN</sub> = 6V, I<sub>L</sub> = 100μA and C<sub>L</sub> = 1μF. Additional conditions for the 8-pin versions are feedback tied to 5V tap and output tied to output Sense (V<sub>OUT</sub> = 5V) and V<sub>SHUTDOWN</sub> ≤ 0.8V.

**Note 3:** Regulation is measured at constant junction temperature, using pulse testing with a low duty cycle. Changes in output voltage due to heating effects are covered under the specification for thermal regulation.

**Note 4:** Line regulation for the LP2951 is tested at 150°C for I<sub>L</sub> = 1mA. For I<sub>L</sub> = 100μA and T<sub>J</sub> = 125°C, line regulation is guaranteed by design to 0.2%. See typical performance characteristics for line regulation versus temperature and load current.

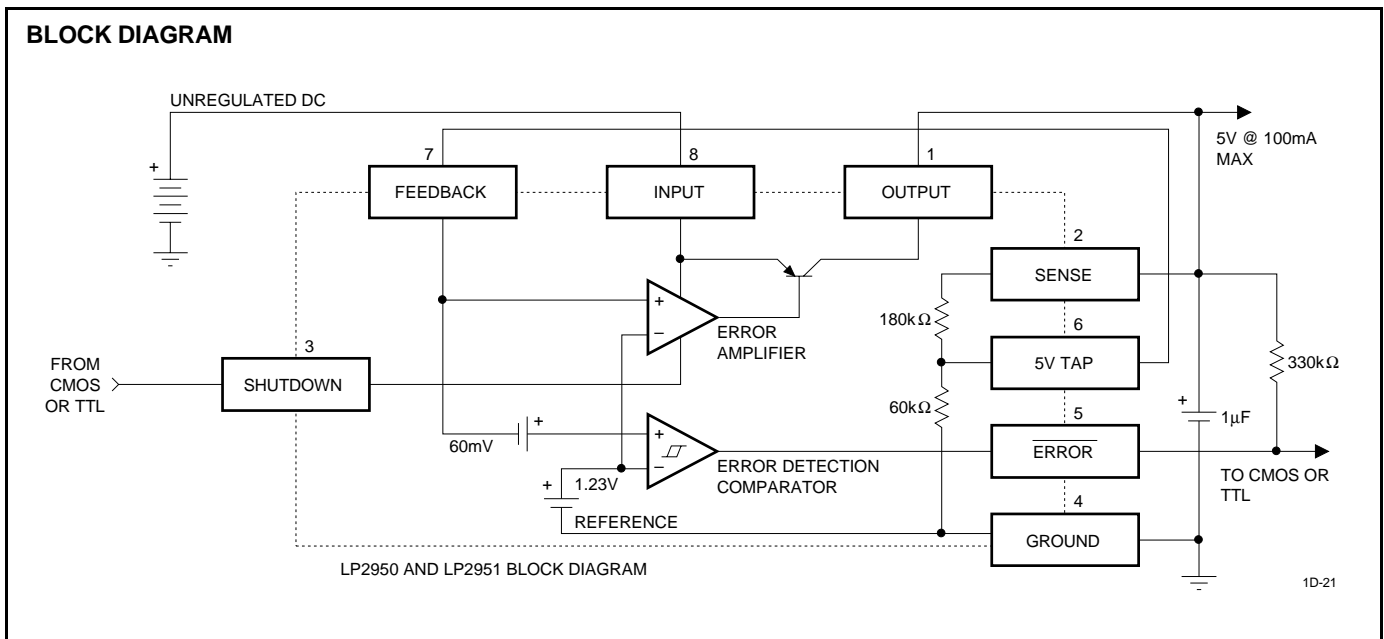
**Note 5:** Dropout voltage is defined as the input to output differential at which the output voltage drops 100mV below its nominal value measured at 1V differential at very low values of programmed output voltage, the minimum input supply voltage of 2V (2.3V over temperature) must be taken into account.

**Note 6:** V<sub>REF</sub> ≤ V<sub>OUT</sub> ≤ (V<sub>IN</sub> - 1V), 2.3 ≤ V<sub>IN</sub> ≤ 30V, 100μA ≤ I<sub>L</sub> ≤ 100mA, T<sub>J</sub> ≤ T<sub>JMAX</sub>.

**Note 7:** Comparator thresholds are expressed in terms of a voltage differential at the feedback terminal below the nominal reference voltage measured at 6V input. To express these thresholds in terms of output voltage change, multiply by the error amplifier gain = V<sub>OUT</sub>/V<sub>REF</sub> = (R1+R2)/R2. For example, at a programmed output voltage of 5V, the error output is guaranteed to go low when the output drops by 95mV x 5V/1.235 = 384mV. Thresholds remain constant as a percent of V<sub>OUT</sub> as V<sub>OUT</sub> is varied, with the dropout warning occurring at typically 5% below nominal, 7.5% guaranteed.

**Note 8:** V<sub>SHUTDOWN</sub> ≥ 2V, V<sub>IN</sub> ≤ 30V, V<sub>OUT</sub> = 0, Feedback pin tied to 5V Tap.

**Note 9:** All typical values are not guaranteed.



## APPLICATION HINTS

### EXTERNAL CAPACITORS

- The stability of the LP2950/LP2951 requires a 1.0 $\mu$ F or greater capacitor between output and ground. Oscillation could occur without this capacitor. Most types of tantalum or aluminum electrolytic are acceptable. For operations below -25°C a solid tantalum is recommended since the many aluminum types have electrolytes that freeze at about -30°C. The ESR of about 5 $\Omega$  or less and resonant frequency about 500kHz are the most important parameters in the value of the capacitor. The capacitors value may be increased without limit.
- At lower values of output current, less output capacitance is required for stability. For currents below 10mA the value of the capacitor can be reduced to 0.33 $\mu$ F and 0.1 $\mu$ F for 1mA. More output capacitance is needed for the 8-pin version at voltages below 5V since it runs the error amplifier at lower gain.
- At worst case 3.3 $\mu$ F or greater must be used for the condition of 100mA load at 1.23V output.
- The LP2950, unlike other low dropout regulators will remain stable and in regulation with no load in addition to the internal voltage divider. This feature is especially important in applications like CMOS RAM keep-alive circuits. When setting the output voltage of the LP2951 version with external resistors, a minimum load of 1 $\mu$ A is recommended.
- If there is more than 10 inches of wire between the input and the AC filter capacitor or if a battery is used as the input then a 1 $\mu$ A tantalum or aluminum electrolytic capacitor should be placed from the input to the ground.
- Instability can occur if there is a stray capacitance to the LP2951 feedback terminal (pin 7). This could cause more problems when using a higher value of external resistors to set the output voltage. This problem can be eliminated by adding a 100pF capacitor between output and feedback and increasing the output capacitor to at least 3.3 $\mu$ F.

### ERROR DETECTION COMPARATOR OUTPUT

The Comparator produces a logic low output whenever the LP2951 output falls out of regulation by more than around 5%. This occurs at approximately 60mV offset divided by the 1.235 reference voltage. This trip level remains 5% below normal regardless of the programmed output voltage of the regulator. Figure 1 shows the timing diagram depicting the ERROR signal and the regulator output voltage as the LP2951 input is ramped up and down. The ERROR signal becomes low at around 1.3V input, and goes high around 5V input (input voltage at which  $V_{OUT} = 4.75$ ). Since the LP2951's dropout voltage is load dependent, the input voltage trip point (around 5V) will vary with the load current. The output voltage trip point (approx. 4.75V) does not vary with load.

The error comparator has an open-collector output which requires an external pullup resistor. Depending on the system requirements the resistor may be returned to 5V output or other supply voltage. In determining the value of this resistor, note that the output is rated to sink 400 $\mu$ A, this value adds to battery drain in a low battery condition. Suggested values range from 100K to 1M $\Omega$ . If the output is unused this resistor is not required.

### PROGRAMMING THE OUTPUT VOLTAGE OF LP2951

The LP2951 may be pin-strapped for 5V using its internal voltage divider by tying Pin 1 (output) to Pin 2 (sense) and Pin 7 (feedback) to Pin 6 (5V Tap). Also, it may be programmed for any output voltage between its 1.235V reference and its 30V maximum rating. As seen in Figure 2, an external pair of resistors is required.

Refer to the equation below for the programming of the output voltage:

$$V_{OUT} = V_{REF} \times (1 + R_1/R_2) + I_{FB}R_1$$

The  $V_{REF}$  is 1.235 and  $I_{FB}$  is the feedback bias current, nominally -20nA. The minimum recommended load current of 1 $\mu$ A forces an upper limit of 1.2M $\Omega$  on value of  $R_2$ . If no load is presented the  $I_{FB}$  produces an error of typically 2% in  $V_{OUT}$  which may be eliminated at room temperature by trimming  $R_1$ . To improve the accuracy choose the value of  $R_2 = 100k$  this reduces the error by 0.17% and increases the resistor program current by 12 $\mu$ A. Since the LP2951 typically draws 60 $\mu$ A at no load with Pin 2 open-circuited this is a small price to pay.

### REDUCING OUTPUT NOISE

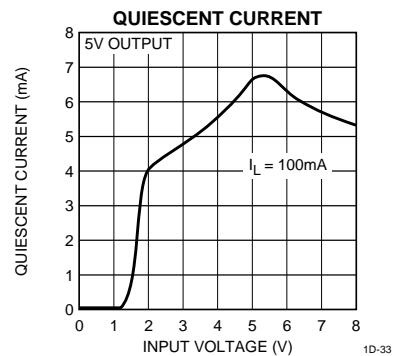
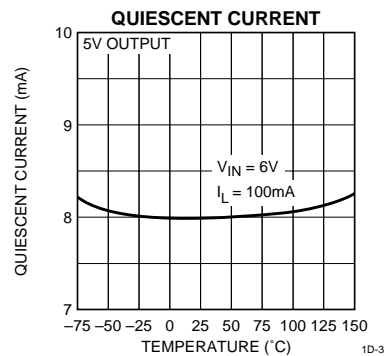
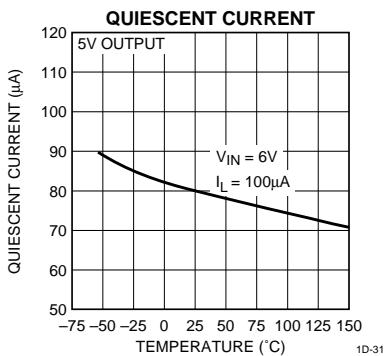
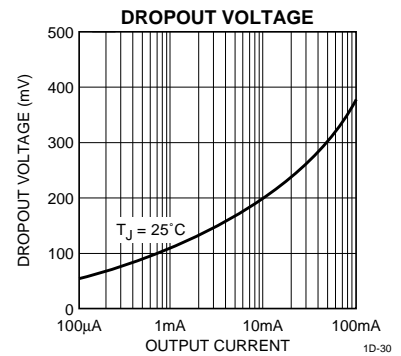
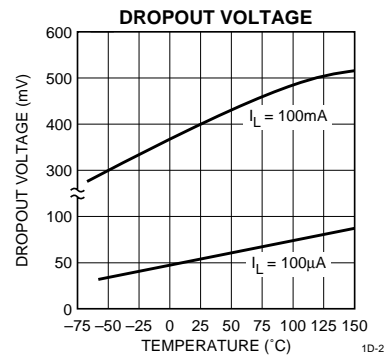
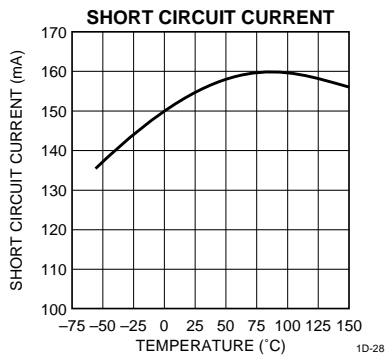
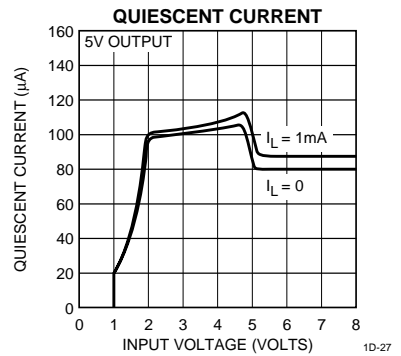
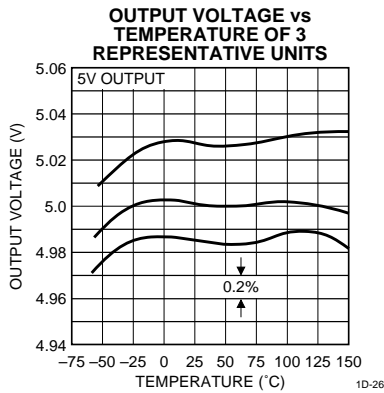
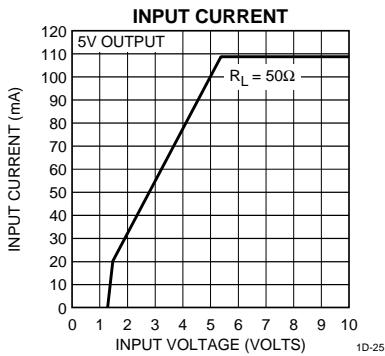
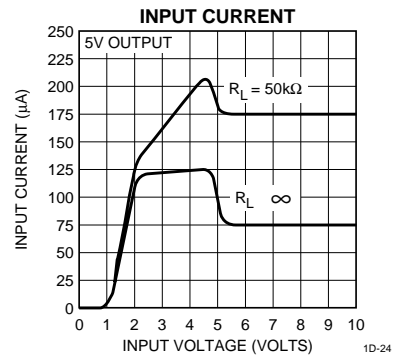
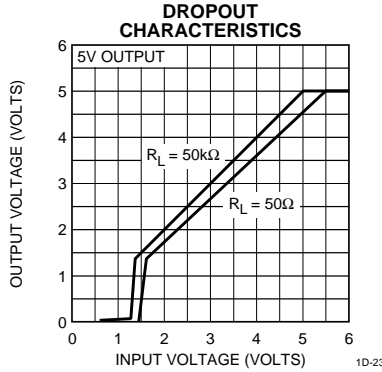
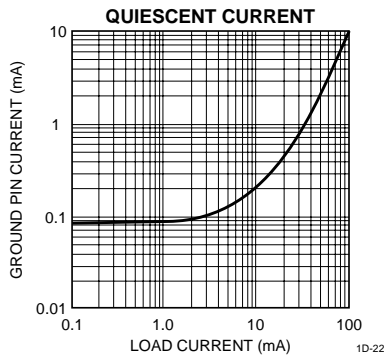
It may be an advantage to reduce the AC noise present at the output. One way is to reduce the regulator bandwidth by increasing the size of the output capacitor. This is the only way that noise can be reduced on the lead 3 of LP2950, but is relatively inefficient, as increasing the capacitor from 1 $\mu$ F to 220 $\mu$ F only decreases the noise from 430 $\mu$ V to 160 $\mu$ Vrms for a 100kHz bandwidth at 5V output.

Noise could also be reduced fourfold by a bypass capacitor across  $R_1$ , since it reduces the high frequency gain from 4 to unity.

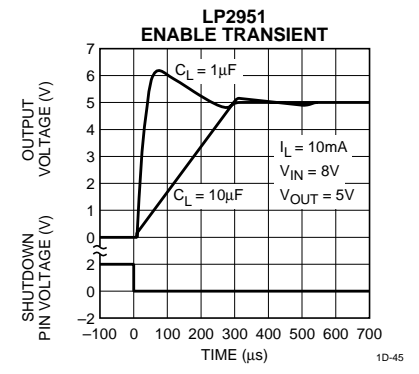
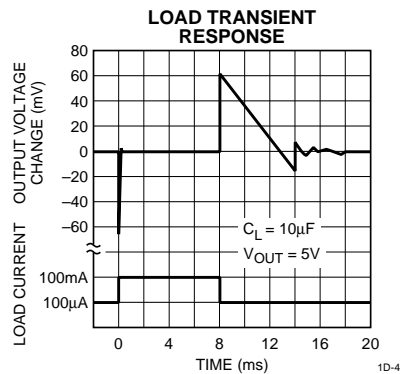
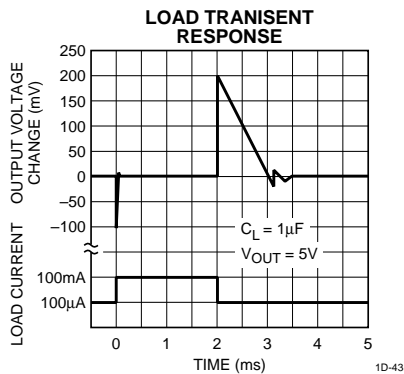
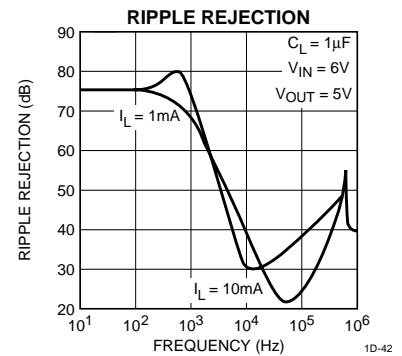
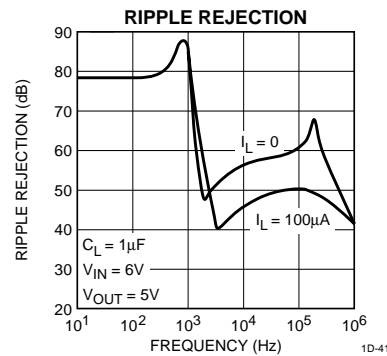
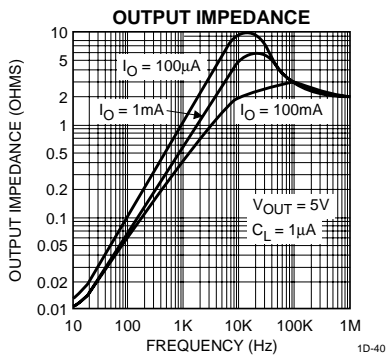
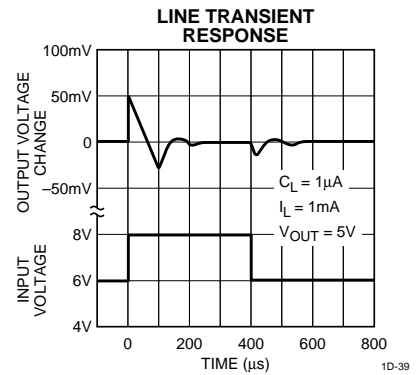
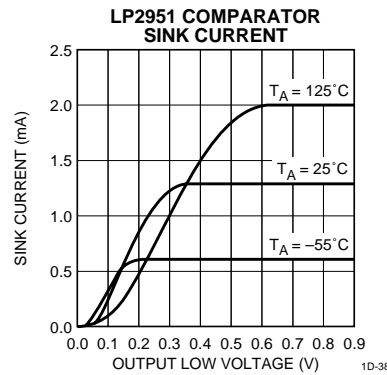
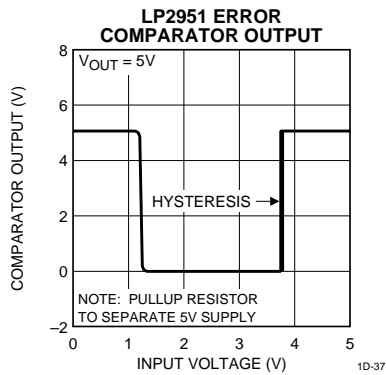
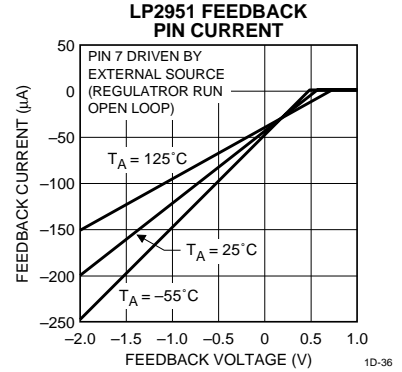
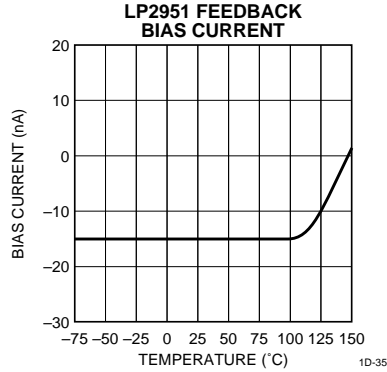
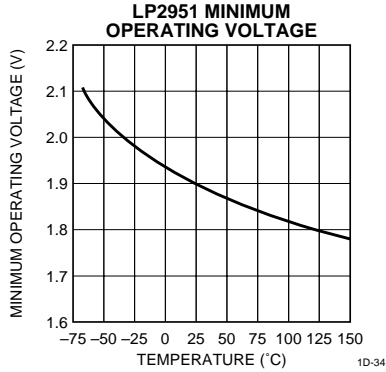
$$C_{BYPASS} \cong 1/2\pi R_1 \times 200Hz$$

or choose 0.01 $\mu$ F. When doing this, the output capacitor must be increased to 3.3 $\mu$ F to maintain stability. These changes reduce the output noise from 430 $\mu$ V to 100 $\mu$ Vrms for a 100kHz bandwidth at 5V output. With the bypass capacitor added, noise no longer scales with output voltage so that improvements are more dramatic at higher voltages.

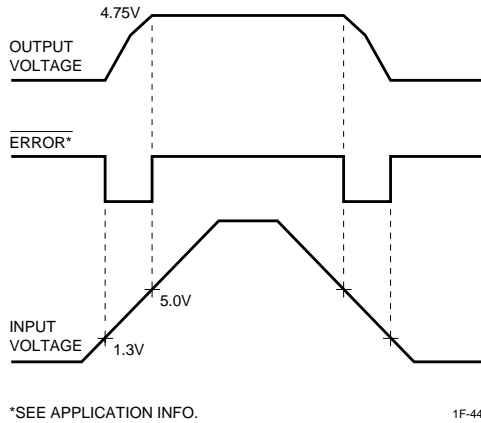
**TYPICAL PERFORMANCE CHARACTERISTICS**



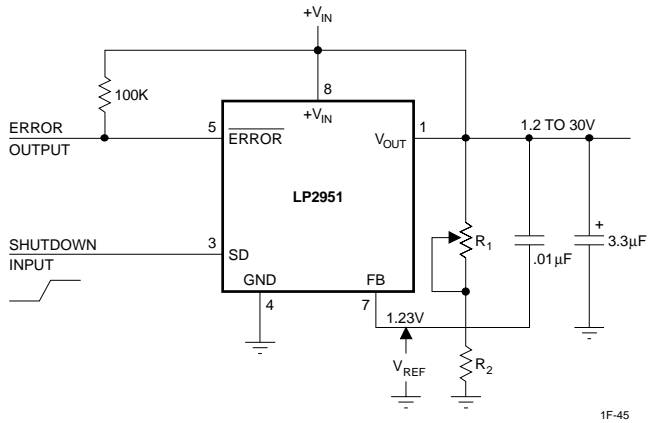
## TYPICAL PERFORMANCE CHARACTERISTICS (continued)



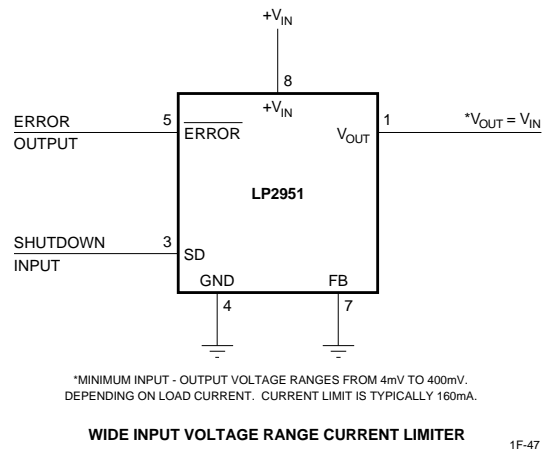
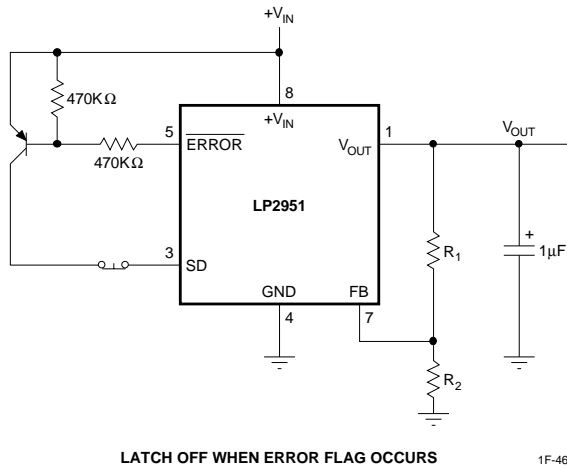
**TYPICAL APPLICATIONS**



**FIGURE 1. ERROR OUTPUT TIMING**

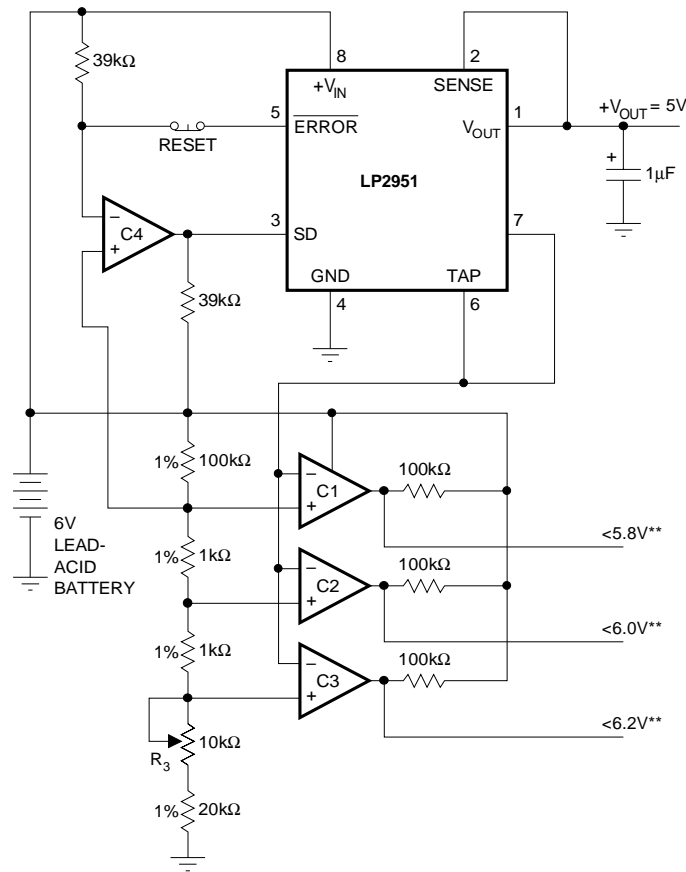
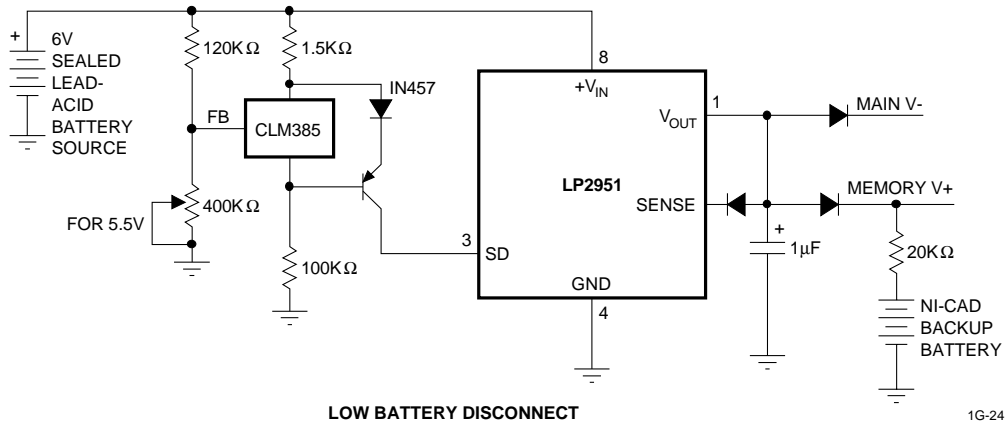


**FIGURE 2. ADJUSTABLE REGULATOR**



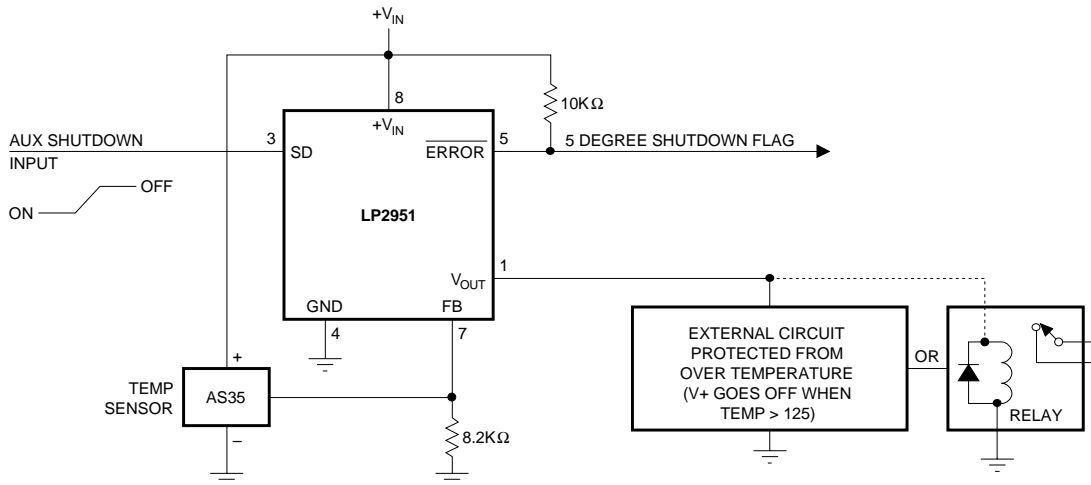


TYPICAL APPLICATIONS (continued)



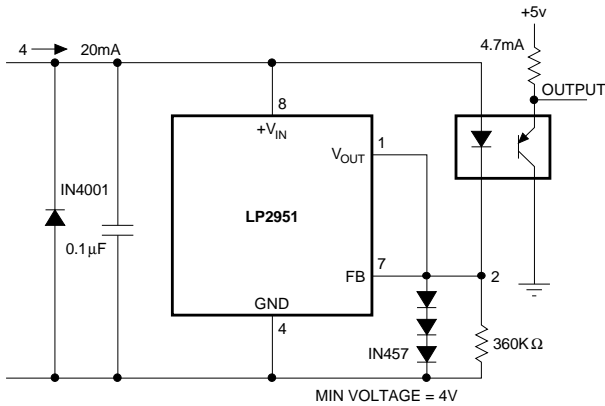
\*OPTIONAL LATCH OFF WHEN DROPOUT OCCURS. ADJUST R3 FOR C2 SWITCHING WHEN VIN IS 6.0V.  
 \*\*OUTPUTS GO LOW WHEN VIN DROPS BELOW DESIGNATED THRESHOLDS.

TYPICAL APPLICATIONS (continued)



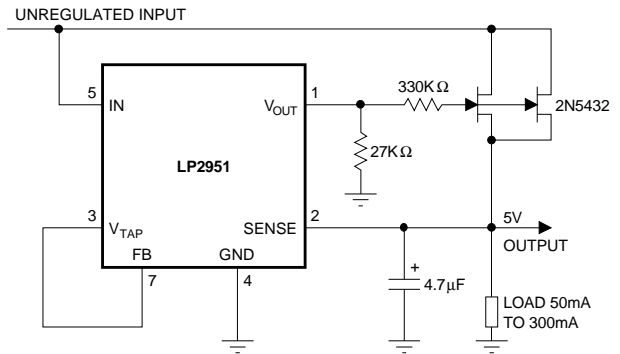
SYSTEM OVER TEMPERATURE PROTECTION CIRCUIT

1F-48



OPEN CIRCUIT DETECTOR FOR 4mA TO 20mA CURRENT LOOP

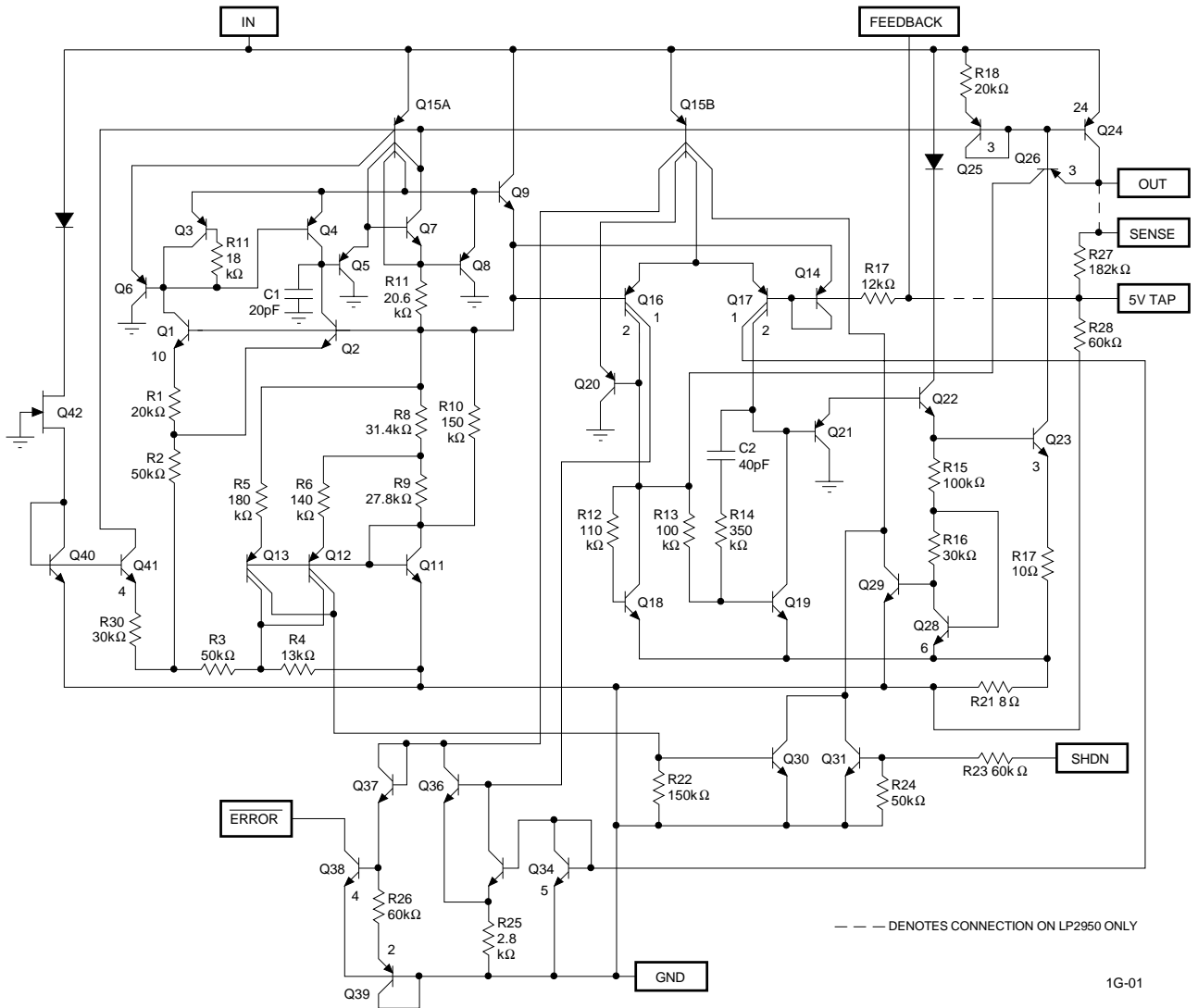
1F-49



300mA REGULATOR WITH 0.75 DROPOUT

1F-50

**SCHEMATIC DIAGRAM**



This datasheet has been download from:

[www.datasheetcatalog.com](http://www.datasheetcatalog.com)

Datasheets for electronics components.