

Distributed by:

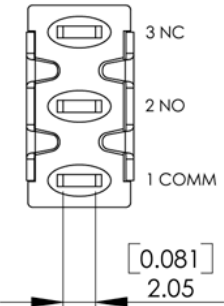
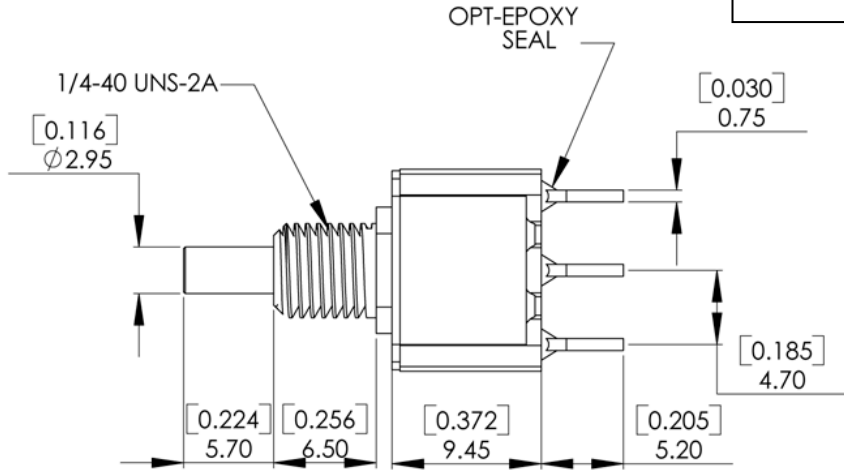
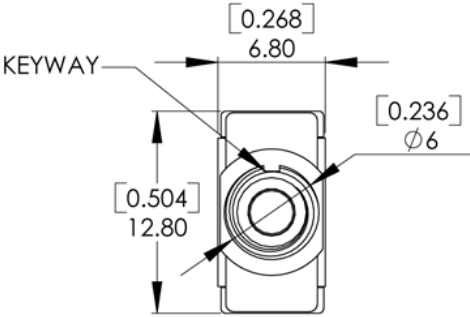
JAMECO[®]
ELECTRONICS

www.Jameco.com ♦ 1-800-831-4242

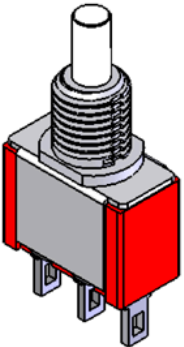
The content and copyrights of the attached
material are the property of its owner.

Jameco Part Number 121305

Date	Rev.	Description



SPECIFICATIONS:
CONTACT RATING : 3 AMPS @ 120 V AC or 28 VDC.
 1 APMS @250 V AC or 0.4VA AMPS @20 V AC or DC
ELECTRICAL LIFE : 50,000 make-and-break cycles at full load.
CONTACT RESISTANCE : 10 mΩ max. initial @ 2-4 VDC.
 100 mA, for both coin silver and gold plated contacts.
INSULATION RESISTANCE : 1,000 MΩ min.
DIELETRIC STRENGTH : 1,000 V RMS @ sea level.
OPERATING TEMPERATURE : -30 °C to 130 °C



MATERIALS:
CASE : Diallyl phthalate (DAP)(UL-94V-0).
PLUNGER : Polybutylene terephthalate (PBT) (UL 94V-0)
BUSHING : Brass, nickel plated.
HOUSING : Stainless steel.
TERMINAL/CONTACT : Brass, with silver or gold plated.
 or gold over silver
SWITCH SUPPORT : Brass, tin plated.

Schematic



Model No.	TYPE		TOLERANCE
A101	ON	MOM	XX. ± 0.5
Term Comm.	1-3	1-2	X. ± 0.2
			.XX ± 0.2

DCC. NO.
A4 DRAWING NO.

MATERIAL		GOLDSUN ELECTRONICS CO., LTD.	
DRAWN: Kiki Chen		JAMECO NO. 121305	GOLDSUN NO.
VERIFY PEOPLE: Ada Zheng , Ivy Lan		Description PUSHBUTTON SWITCH Rev. 1	
UNIT: mm	SCALE:	SHEET 1 OF 1	CAS No: ERN No: